

COLLINS PEDESTAL LAVATORY

CAT. NO
3-281



Faucet not included



Mounting hardware

W: 22-1/2"
D: 18-7/8"
H: 31-1/8"

Column: 25-1/4" x 6" x 6"

Interior Dimensions:

Basin interior:	16-1/2" x 10-1/4"
Basin depth:	7-1/8"
Faucet and spout holes:	1-1/2" & 2"
Back of basin to center of faucet:	2-5/8"
Back of basin to center of drain:	8-5/8"
Mount bolts height:	31-1/8"
Mount holes cc:	4-1/2"

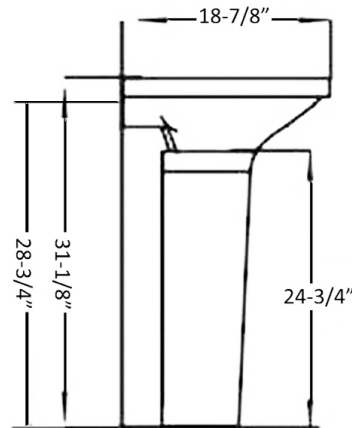
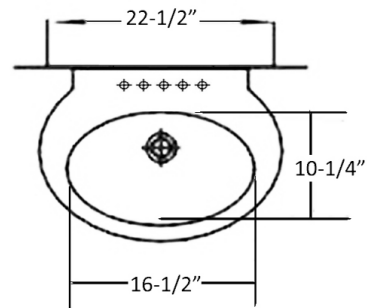
Features:

- ▶ Made of Vitreous China
- ▶ Available pre-drilled for single hole (**3-281**)
- ▶ Overflow
- ▶ Decorative overflow cover included
- ▶ Mounting hardware included

Colors:

WH White

Meets or exceeds the following specifications: ASME A112.19.2 2013 and CSA B45.1-13 for ceramic plumbing fixtures.



Dimensions of fixture are nominal and may vary within the range of tolerances established by ASME Standard A112.19.2. Dimensions and specifications subject to change without notice.