

# SABLE KITCHEN FAUCET

Cat. No.  
KFS400



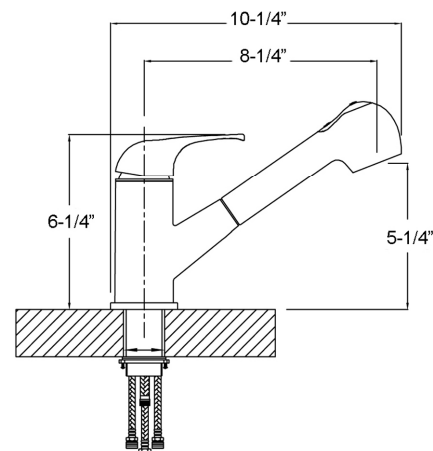
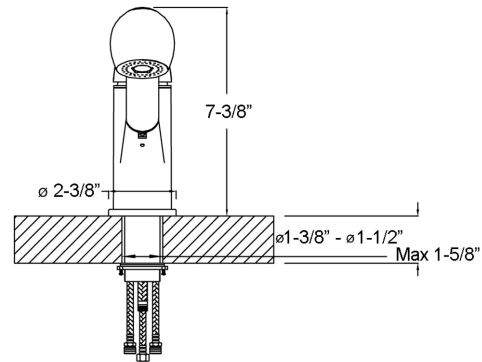
W: 2-<sup>3</sup>/<sub>8</sub>"  
D: 10-<sup>1</sup>/<sub>4</sub>"  
H: 7-<sup>3</sup>/<sub>8</sub>"

## Features:

- ▶ Constructed of solid brass
- ▶ Magnetic pull down spray
- ▶ Spray head has two functions
- ▶ Includes 2 braided hoses
- ▶ Hoses have 1/2" male connectors
- ▶ Ceramic cartridge
- ▶ Height to spout: 5-1/4"
- ▶ Spout reach: 8-1/4"
- ▶ Flow rate is 1.8 GPM at 60 psi
- ▶ cUPC/NSF/AB1953 Certified
- ▶ Available in 3 finishes

## Finishes:

- CP** Polished Chrome
- BN** Brushed Nickel
- ORB** Oil Rubbed Bronze



Dimensions of fixture are nominal and may vary. Dimensions and specifications subject to change without notice.