



FRESCA®

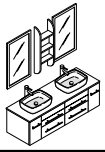
FVN6119

STELLA

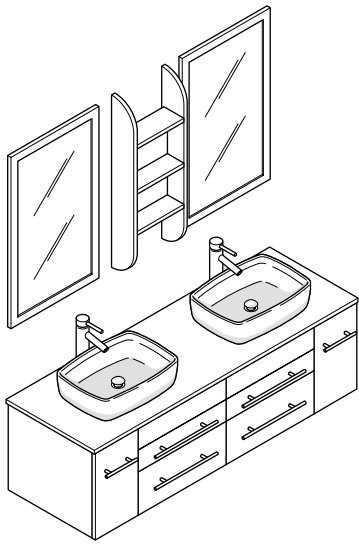
INSTALLATION GUIDE

CONTENTS:

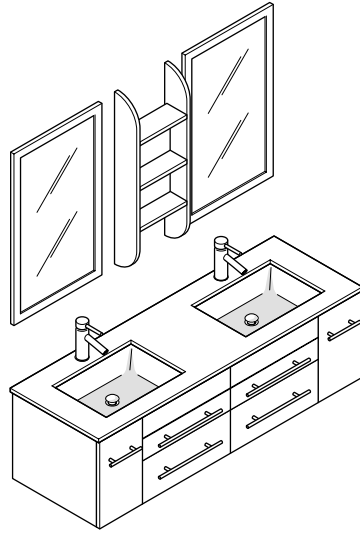
| | |
|-----------------------------|-----------------------|
| Cabinet..... (FCB6119)..... | PAGE 3 (STEPS 1-2) |
| Sink..... (FVS6119)..... | PAGE 4 (STEP 5) |
| Countertop..(FCT6119)..... | PAGE 4 (STEP 4) |
| Mirror..... (FMR6119)..... | PAGE 4 (STEP 6) |
| Shelving.....(FSF6119)..... | PAGE 4 (STEP 6) |



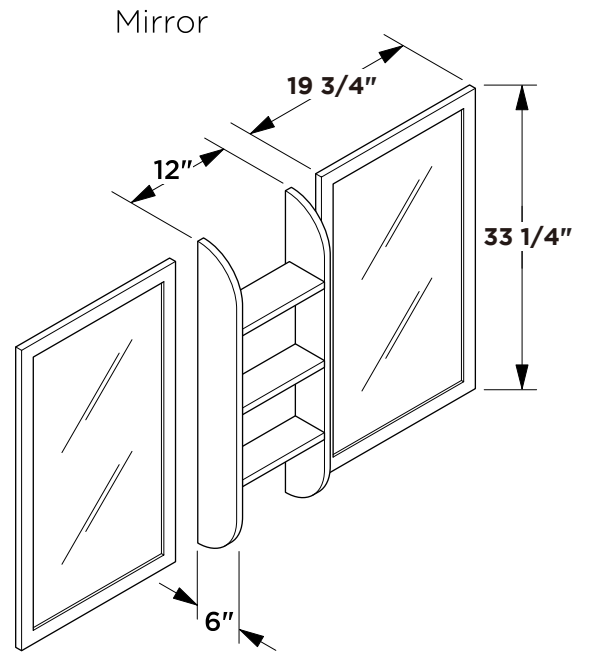
FVN6119
BELLEZZA
INSTALLATION GUIDE



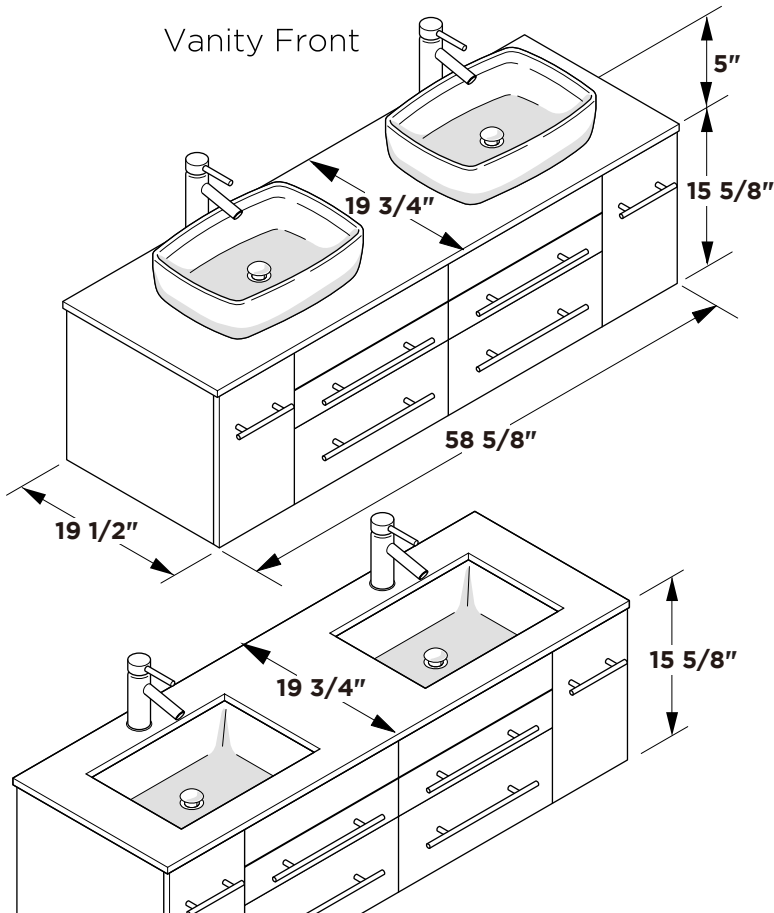
FVN6119



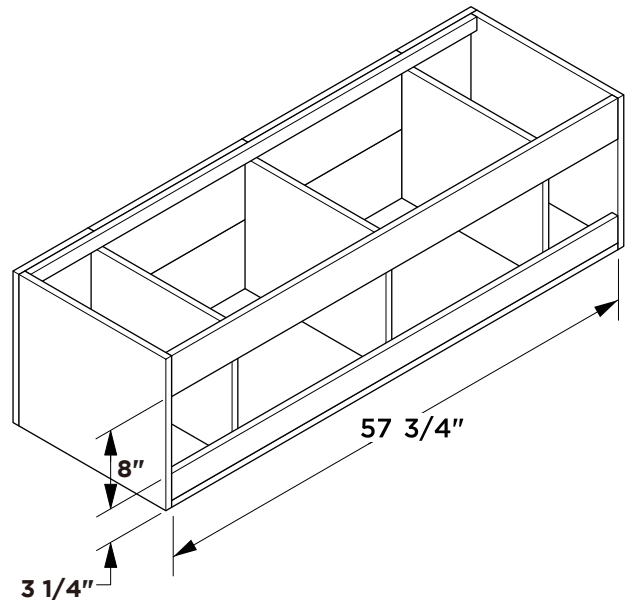
FVN6119UNS



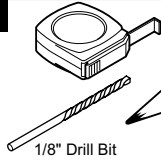
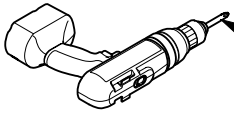
Vanity Front



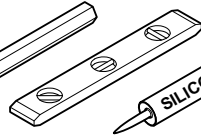
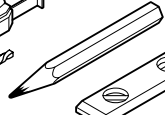
Vanity Back



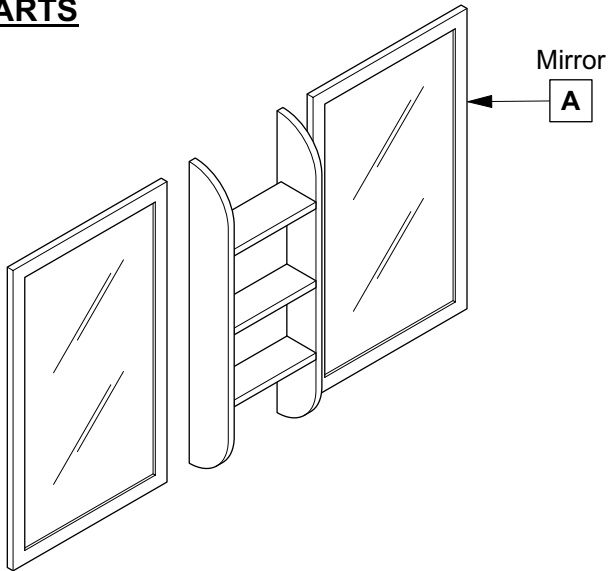
TOOLS FOR ASSEMBLY



1/8" Drill Bit

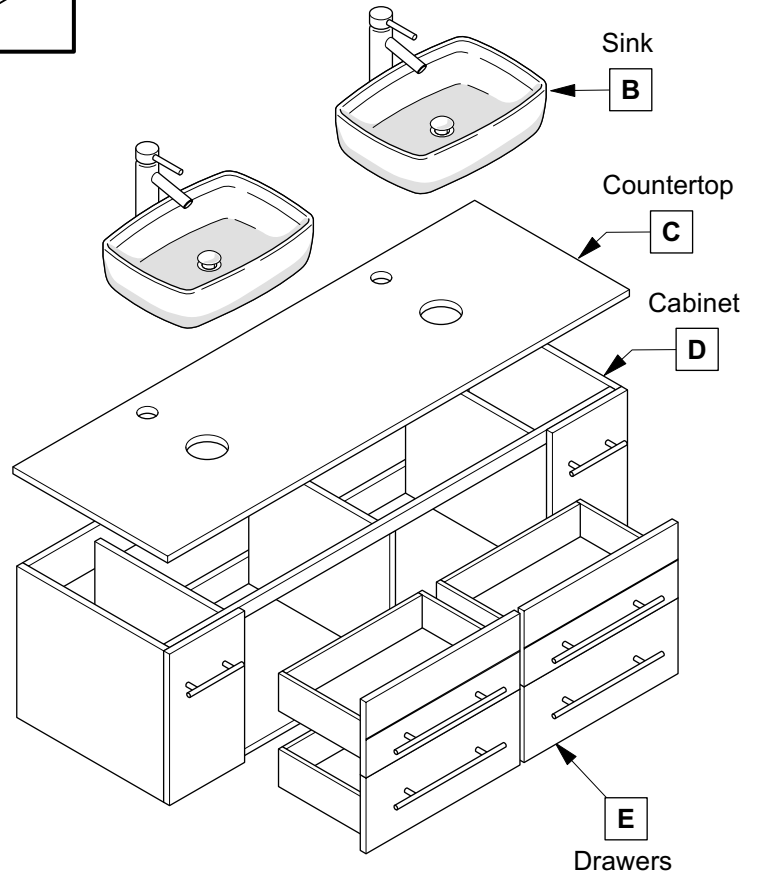


PARTS



Mirror

A



Sink

B

Countertop

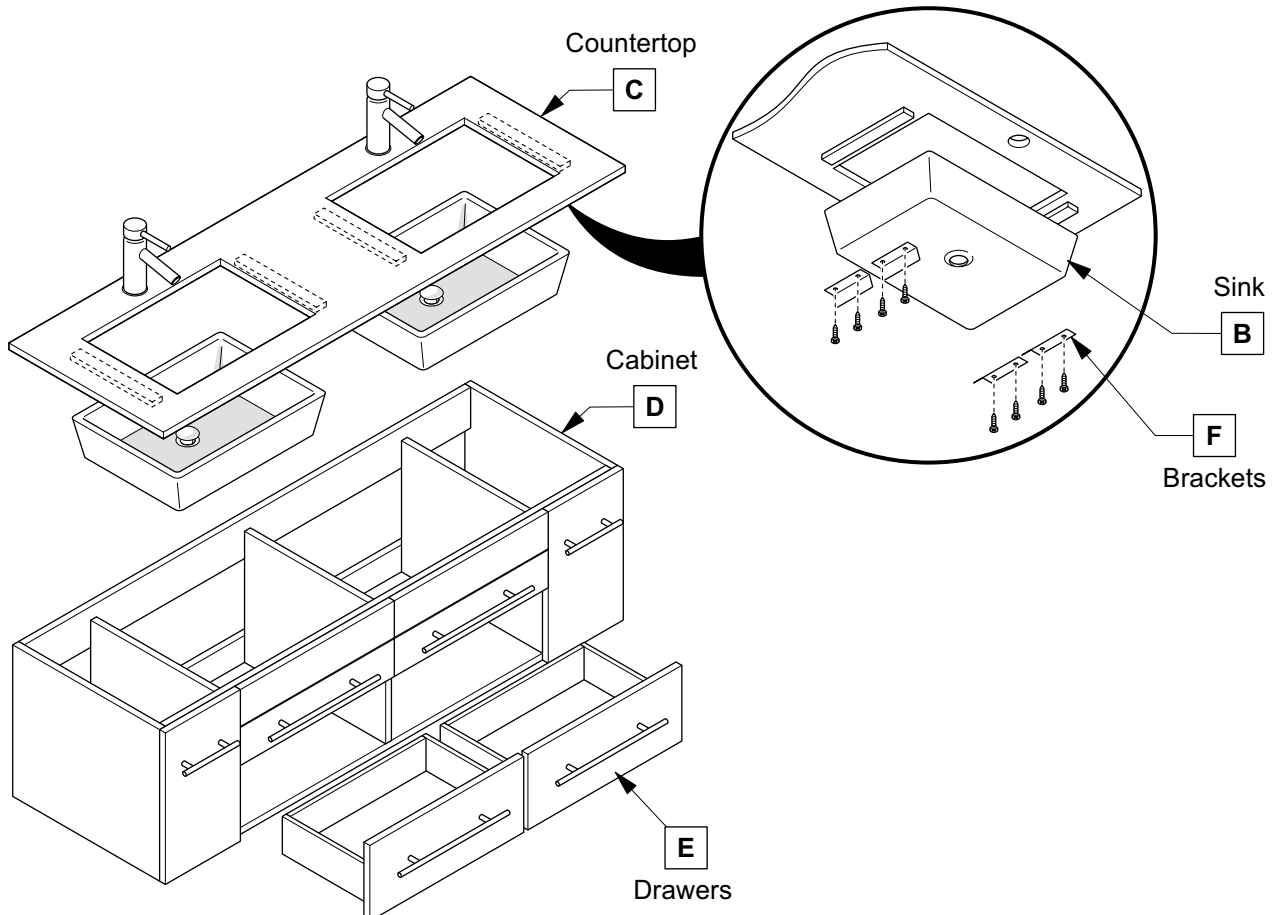
C

Cabinet

D

Drawers

E



Countertop

C

Cabinet

D

Drawers

E

Sink

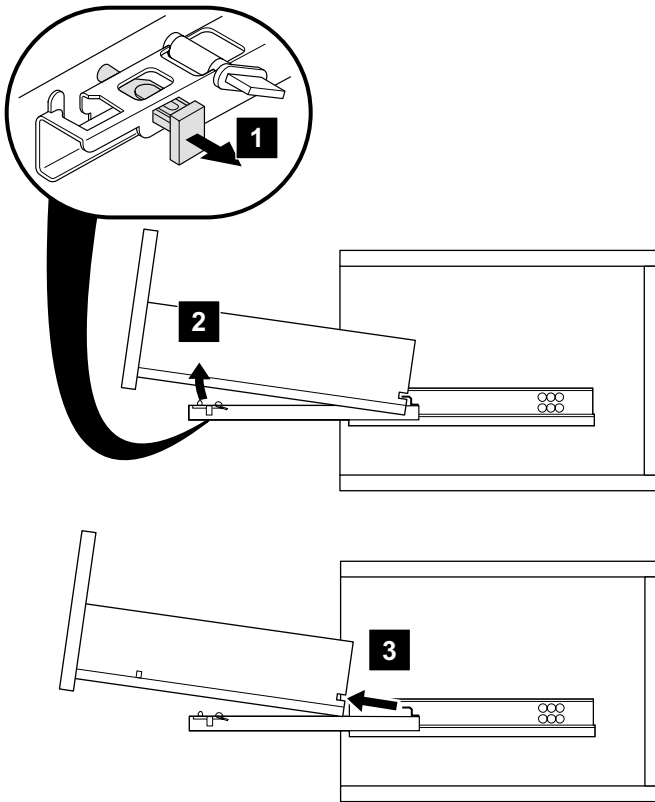
B

Brackets

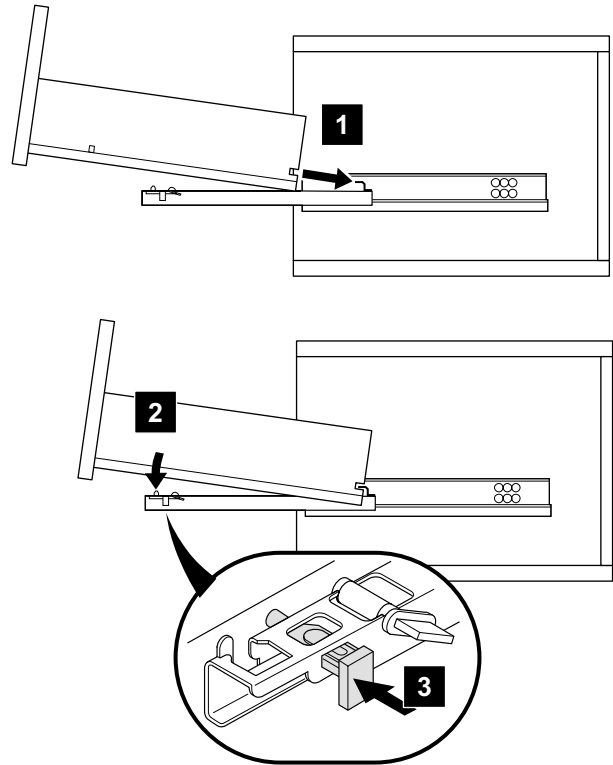
F

DRAWER REMOVAL & INSTALLATION

REMOVAL

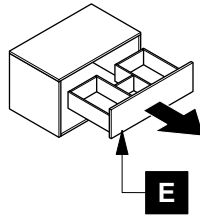


INSTALLATION

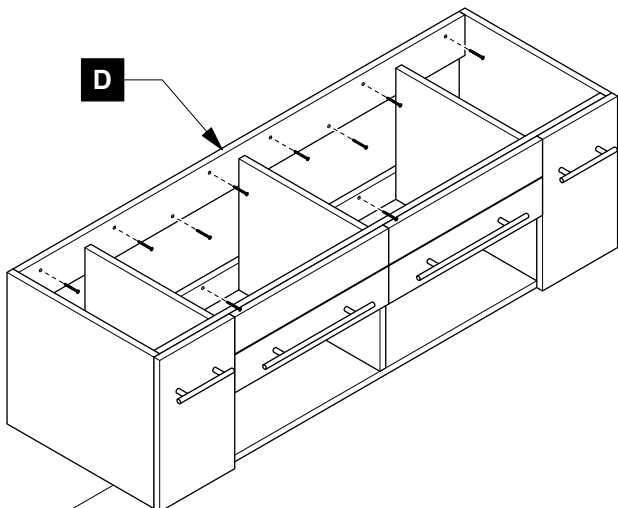


1 Remove drawer (E)

2 Install cabinet (D)

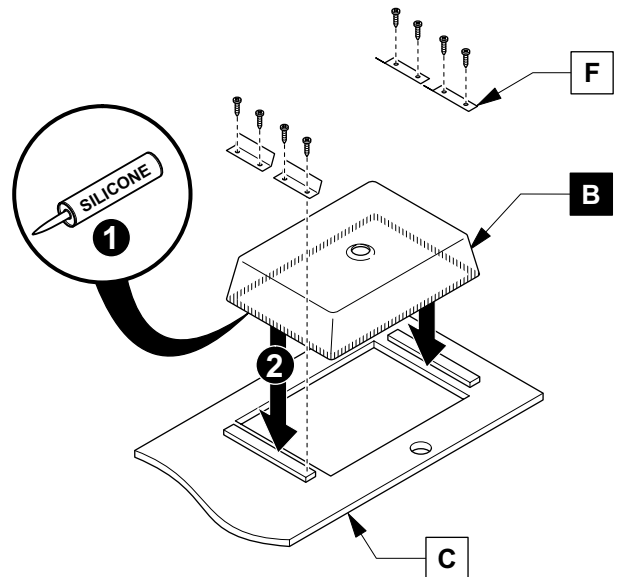


IMPORTANT: Consult an expert for the proper screws/bolts to use when attaching to various wall constructions. Screws provided do not attach to all wall construction types.

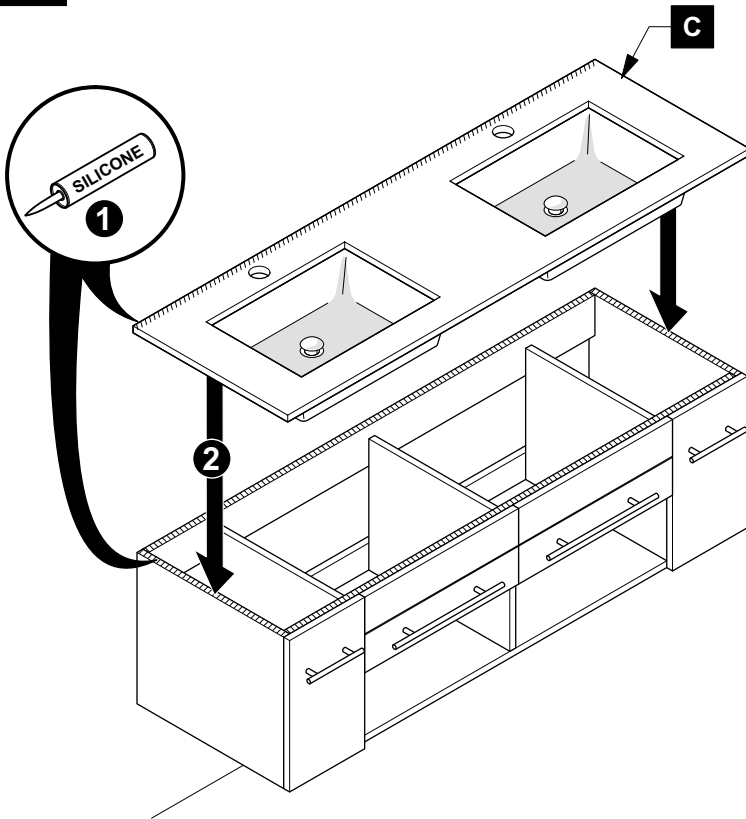


BELOW SINK INSTALLATION

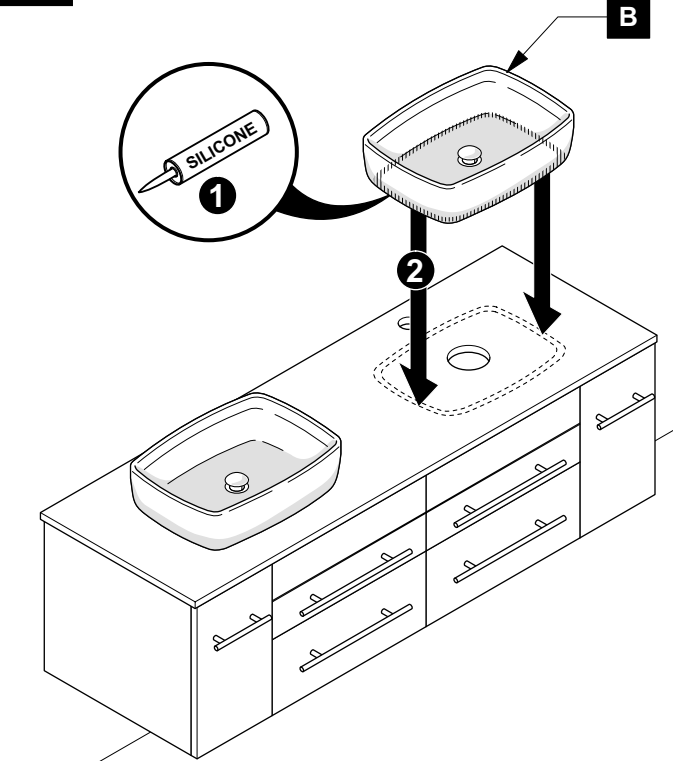
3 Apply silicone and install sinks (B)



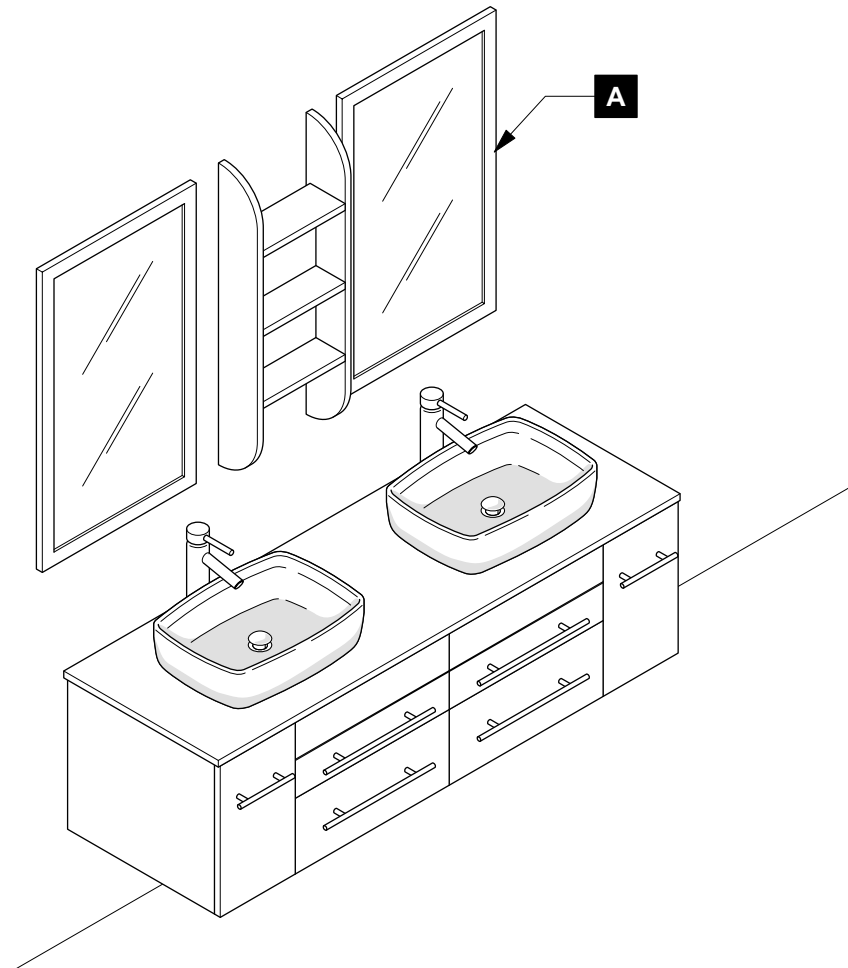
4 Install countertop (C)



5 Install sinks (E)

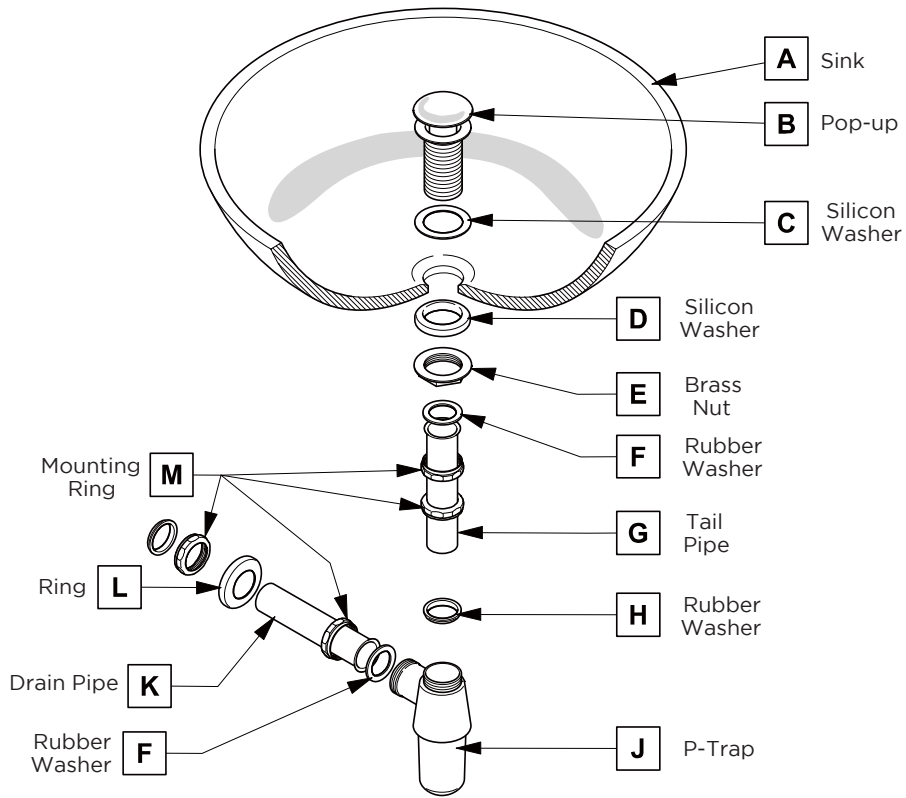


6 Install mirror (A)



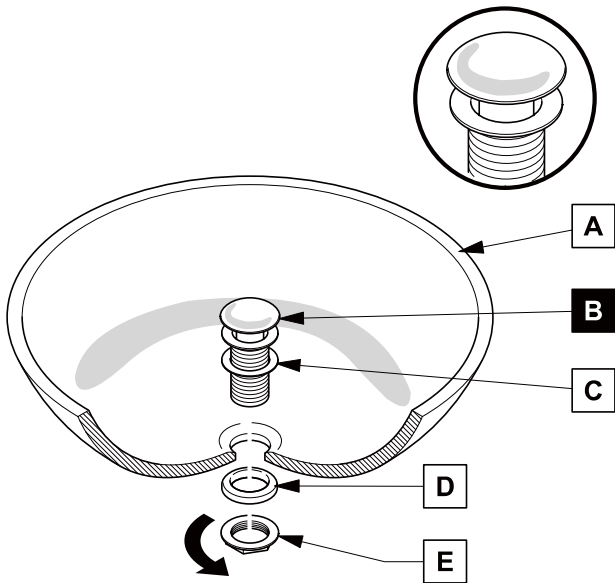
P-TRAP AND POP-UP INSTALLATION INSTRUCTIONS

Your item may appear slightly different from the illustration



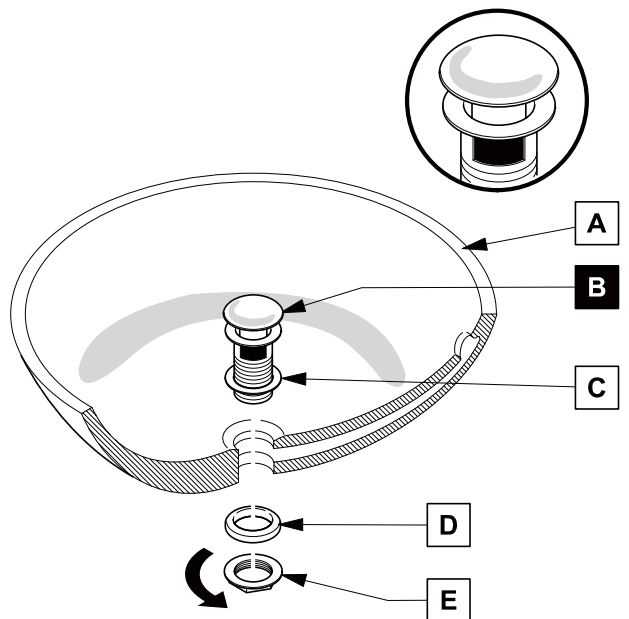
POP-UP INSTALLATION

FOR SINKS WITHOUT OVERFLOW



OR

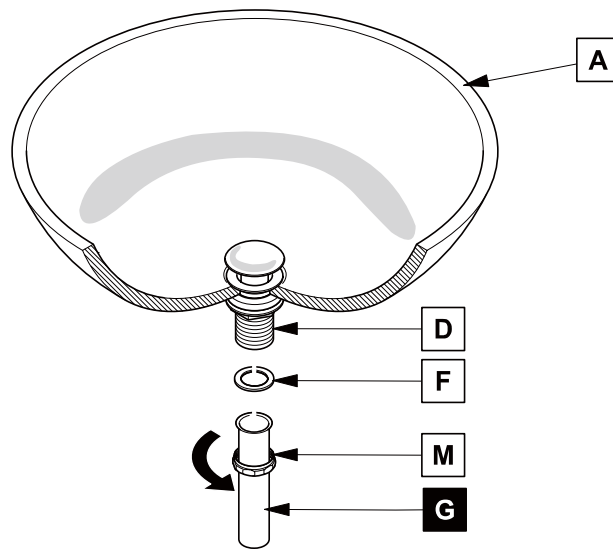
FOR SINKS WITH OVERFLOW



P-TRAP INSTALLATION

1

Install tail pipe (G)



2

Install p-trap (J)

