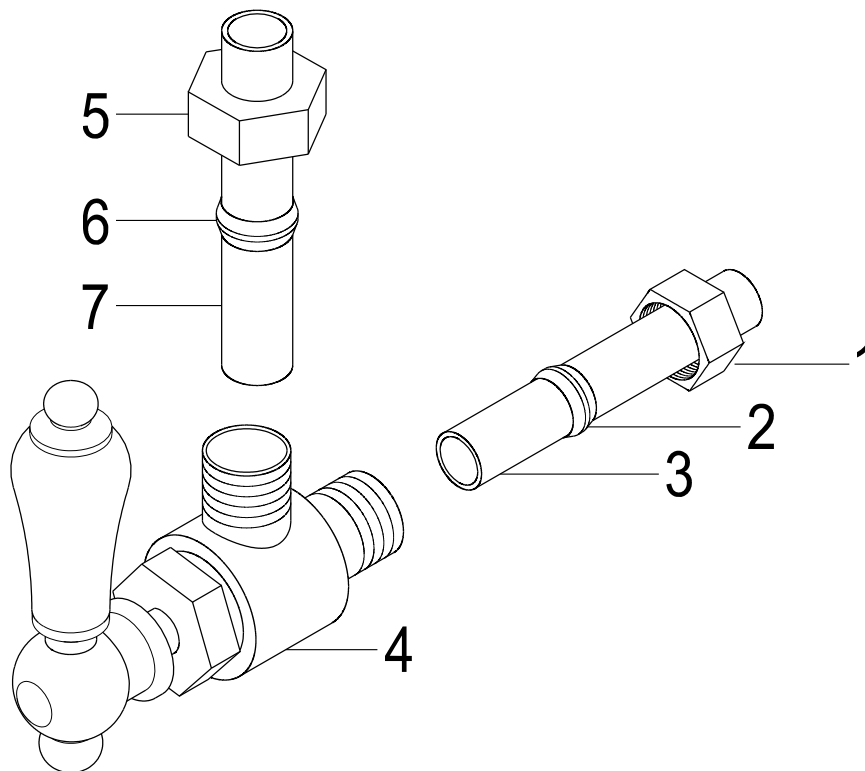


Installation Instructions For Use With KB's Angle Stop

Instructions:

1. Place nut (1) and ring (2) onto pipe (3).
2. Insert pipe (3) into valve (4).
Hand tighten nut (1) onto valve.
3. Place nut (5) and ring (6) onto tube (7).
4. Insert tube (7) into valve (4).
Wrench tighten all nuts.



www.kingstonbrass.com

TOLL-FREE CUSTOMER SERVICE: 1-877-2-KBRASS

TECHNICAL SUPPORT E-mail: service@kingstonbrass.com

12775 Reservoir Street, Chino, CA91710

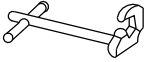
KINGSTON BRASS

THE TRADITION OF FINE BRASS

INSTALLATION INSTRUCTIONS

For Use With KB's Push Drain with or without Overflow

Need Tools:



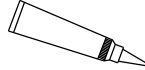
Basin Wrench



Adjustable Wrench



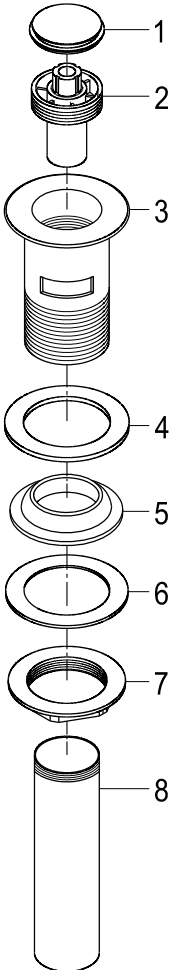
Teflon Tape



Silicone Sealant



Screwdriver



INSTALLATION:

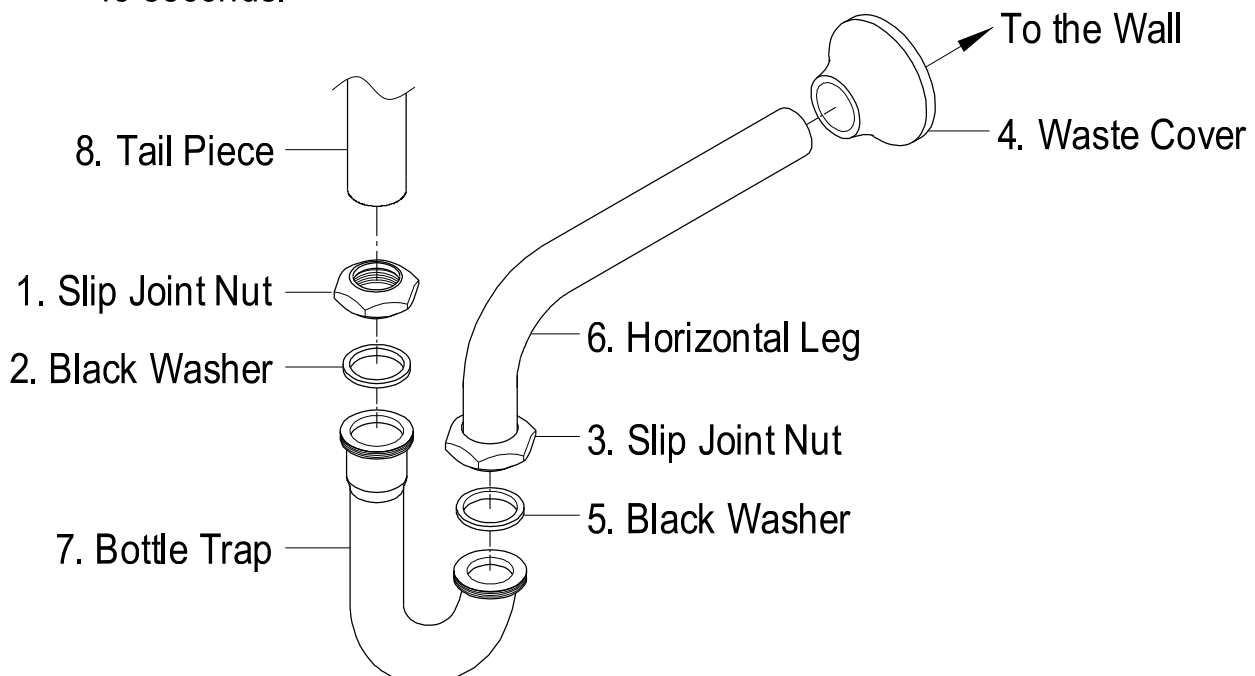
1. Release drain body(3) from Tailpiece(8) then remove rubber washer(4), rubber gasket(5), plastic washer(6) and metal nut(7) from drain body.
2. Insert drain body(3) and rubber washer(4) through the drain opening in the sink.
3. Thread rubber gasket(5) and plastic washer(6) into the drain body and then tighten the metal nut(7) on the drain body to push rubber gasket(5) up against the bottom of drain opening. Tighten the nut with slip-joint pliers.
4. Apply Teflon tape on both tailpiece thread connection and drain body.
5. Turn handles on faucet to the full on position and inspect to insure that there is no leaking underneath lavatory.

Installation Instructions

For Use With KB's Decorative P-Trap

Instructions:

1. Remove horizontal leg and slip joint nut from bottle trap.
2. Apply teflon to all exposed threads.
3. Insert slip joint nut(3) and waste cover(4) onto horizontal leg(6).
4. Insert horizontal leg into wall waste opening, do not tighten.
5. Insert black washer(2) and slip joint nut(1) onto tail piece(8).
6. Attach bottle trap(7) to tail piece and hand tighten slip joint nut(1).
7. Align bottle trap with horizontal leg and tail piece, at this point it may be necessary to cut part of tail piece or part of horizontal leg to obtain proper alignment.
8. After all components have been properly aligned, insert horizontal leg making sure to insert black washer(5) before tightening slip joint nut(3).
9. Thread both slip joint nuts onto bottle trap and tighten along with slip joint securing horizontal leg to wall waste opening.
10. Check for leakage by opening faucet and letting water run for at least 45 seconds.



www.kingstonbrass.com

TOLL-FREE CUSTOMER SERVICE: 1-877-2-KBRASS

TECHNICAL SUPPORT E-mail: service@kingstonbrass.com

12775 Reservoir Street, Chino, CA91710