

# JASON<sup>®</sup>

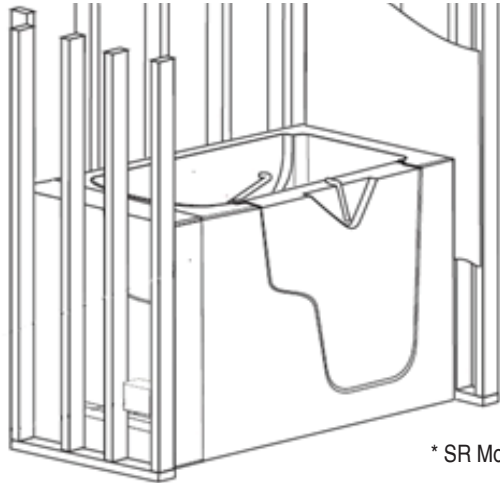
HYDROTHERAPY

8328 MacArthur Dr. • North Little Rock, AR 72118  
 501.771.4477 • Fax: 501.771.2333  
 Customer Service: 800.255.5766  
 www.jasoninternational.com

## Vivere<sup>®</sup> Collection Specifications

### AO3252 SL/SR

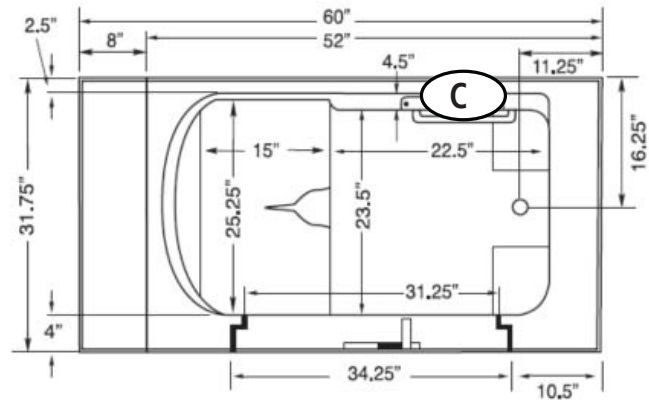
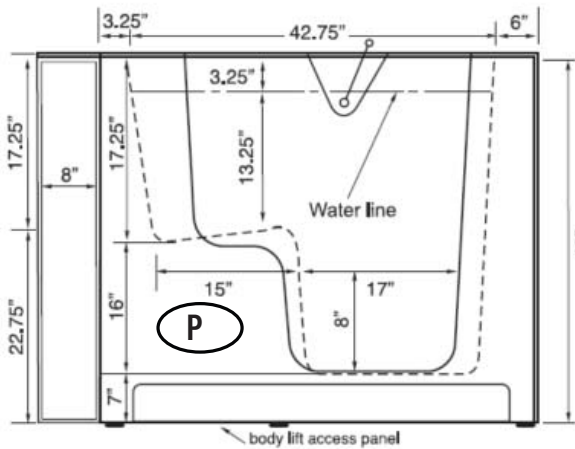
### Whirlpool & Soaking



\* SR Model shown

**P** Pump Location

**C** Control Location

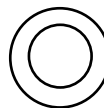


Patents received or pending.

Note: Dimensional Tolerances: ±1/4"

<b>Dimensions:</b>	31.75" x 52" x 40"
<b>Seat Height:</b>	16"
<b>Seat Dimensions:</b>	15"L x 23.5"W x 17.25"H
<b>Operating Capacity:</b>	60 Gal.
<b>Overflow Capacity:</b>	65 Gal.
<b>Floor Loading (WP/Soaking):</b>	97.9 / 95.2 lbs/sq.ft
<b>Carton Wt.:</b>	255 / 230 lbs.
<b>Cube:</b>	47.7 ft. <sup>3</sup>

Air Switch Control



Includes a whisper quiet 1-1/2 HP, 1 speed combination whirlpool pump/heater, (2) Chromatherapy Mood lights, Automatic Ozone System, an air switch On/Off Control, and a 20-minute timer. Requires (1) 20A, 120V GFCI protected circuit.

**Construction:** Reinforced Dura Coat Shell mounted onto stainless steel frame.

*We provide products listed with Intertek ETL SEMKO (Edison Testing Laboratories) U.S. and Canadian and with International Association of Plumbing and Mechanical Officials (IAPMO). Consult factory with your listing requirements.*

- 8" Extension panel included to fit a 60" space
- Waste & Overflow drain kit included
- Left (SL) or Right (SR) door configurations available

# JASON<sup>®</sup>

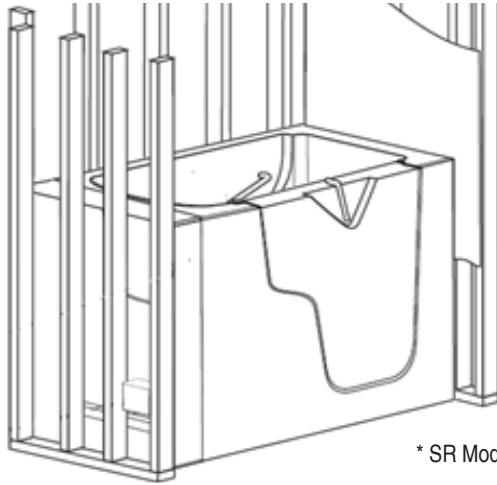
HYDROTHERAPY

8328 MacArthur Dr. • North Little Rock, AR 72118  
 501.771.4477 • Fax: 501.771.2333  
 Customer Service: 800.255.5766  
 www.jasoninternational.com

## Vivere<sup>®</sup> Collection Specifications

### AO3252 SL/SR

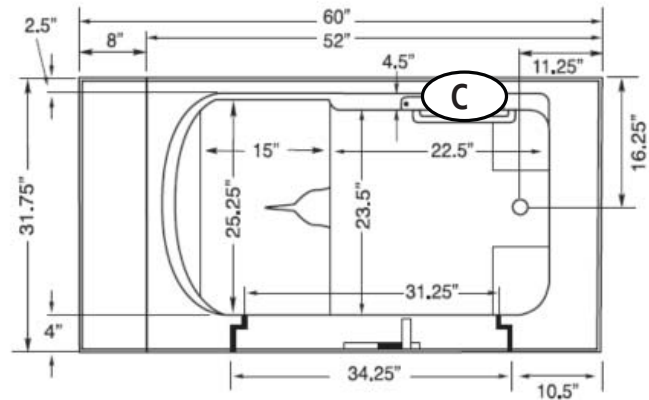
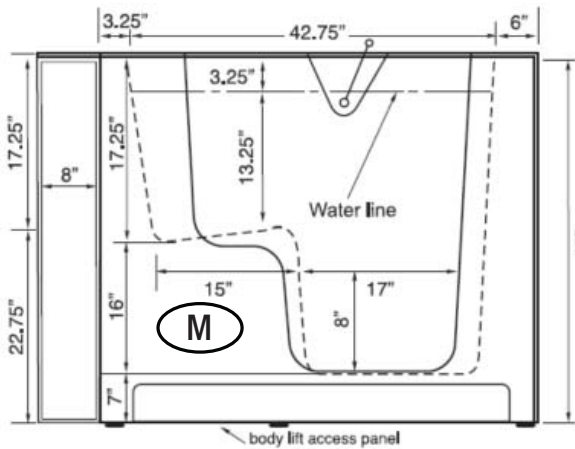
#### MicroSilk<sup>®</sup>



\* SR Model shown

**M** MicroSilk<sup>®</sup> Unit Location

**C** Control Location

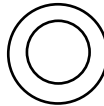


Patents received or pending.

Note: Dimensional Tolerances:  $\pm 1/4$ "

<b>Dimensions:</b>	31.75" x 52" x 40"
<b>Seat Height:</b>	16"
<b>Seat Dimensions:</b>	15"L x 23.5"W x 17.25"H
<b>Operating Capacity:</b>	60 Gal.
<b>Overflow Capacity:</b>	65 Gal.
<b>Floor Loading / sq.ft.:</b>	100.6 lbs.
<b>Carton Wt.:</b>	280 lbs.
<b>Cube:</b>	47.7 ft. <sup>3</sup>

**Air Switch Control**



Includes a quiet, 120V MicroSilk<sup>®</sup> System, (2) Chromatherapy Mood lights, Automatic Ozone System, an air switch On/Off Control, and a 20-minute timer. Requires (1) 20A, 120V GFCI protected circuit.

**Construction:** Reinforced Dura Coat Shell mounted onto stainless steel frame.

*We provide products listed with Intertek ETL SEMKO (Edison Testing Laboratories) U.S. and Canadian and with International Association of Plumbing and Mechanical Officials (IAPMO). Consult factory with your listing requirements.*

- 8" Extension panel included to fit a 60" space
- Waste & Overflow drain kit included
- Left (SL) or Right (SR) door configurations available

# JASON<sup>®</sup>

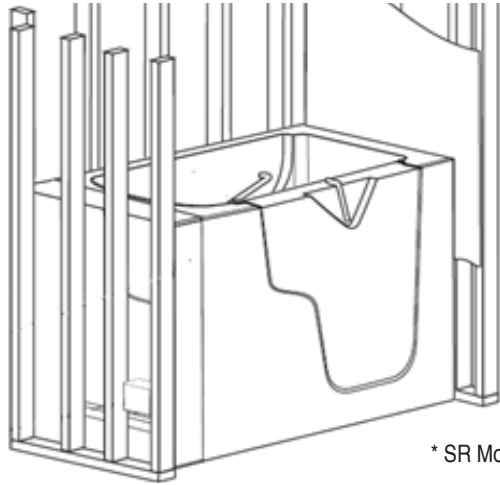
HYDROTHERAPY

8328 MacArthur Dr. • North Little Rock, AR 72118  
 501.771.4477 • Fax: 501.771.2333  
 Customer Service: 800.255.5766  
 www.jasoninternational.com

## Vivere<sup>®</sup> Collection Specifications

### AO3252 SL/SR

### MicroSilk<sup>®</sup> - Whirlpool

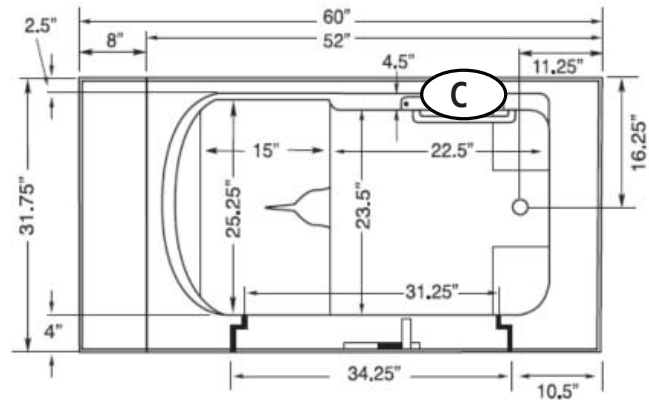
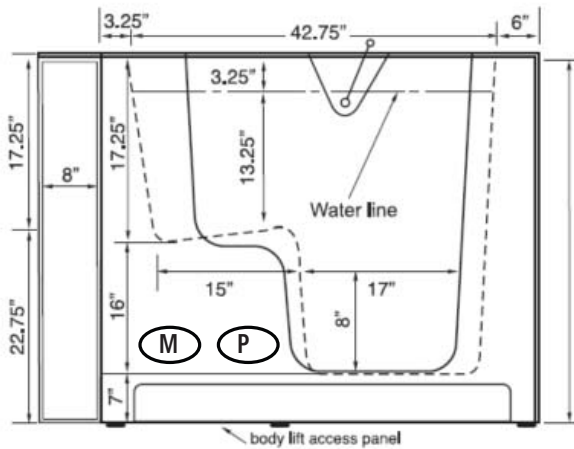


\* SR Model shown

**M** MicroSilk<sup>®</sup> Unit Location

**C** Control Location

**P** Pump Location

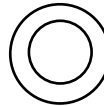


Patents received or pending.

Note: Dimensional Tolerances:  $\pm 1/4$ "

<b>Dimensions:</b>	31.75" x 52" x 40"
<b>Seat Height:</b>	16"
<b>Seat Dimensions:</b>	15"L x 23.5"W x 17.25"H
<b>Operating Capacity:</b>	60 Gal.
<b>Overflow Capacity:</b>	65 Gal.
<b>Floor Loading / sq.ft.:</b>	103.3 lbs/sq.ft.
<b>Carton Wt.:</b>	305 lbs.
<b>Cube:</b>	47.7 ft. <sup>3</sup>

Air Switch  
Control



Includes a MicroSilk<sup>®</sup> unit, a whisper quiet 1-1/2 HP, 1 speed combination whirlpool pump/heater, (2) Chromatherapy Mood lights, Automatic Ozone System, an air switch On/Off Control and a 20-minute timer. Requires (1) 20A, 120V GFCI protected circuit.

**Construction:** Reinforced Dura Coat Shell mounted onto stainless steel frame.

*We provide products listed with Intertek ETL SEMKO (Edison Testing Laboratories) U.S. and Canadian and with International Association of Plumbing and Mechanical Officials (IAPMO). Consult factory with your listing requirements.*

- 8" Extension panel included to fit a 60" space
- Waste & Overflow drain kit included
- Left (SL) or Right (SR) door configurations available