

# JASON<sup>®</sup>

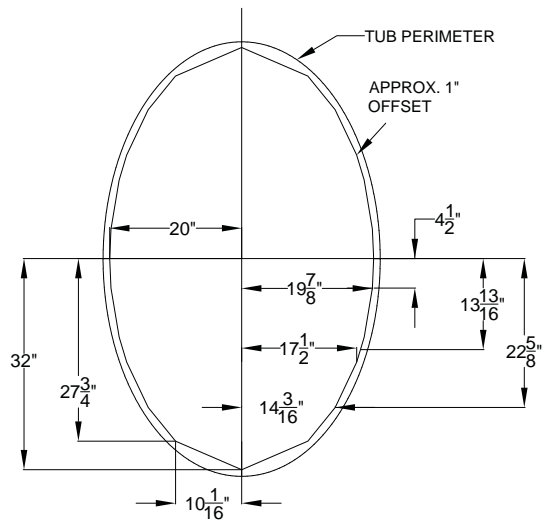
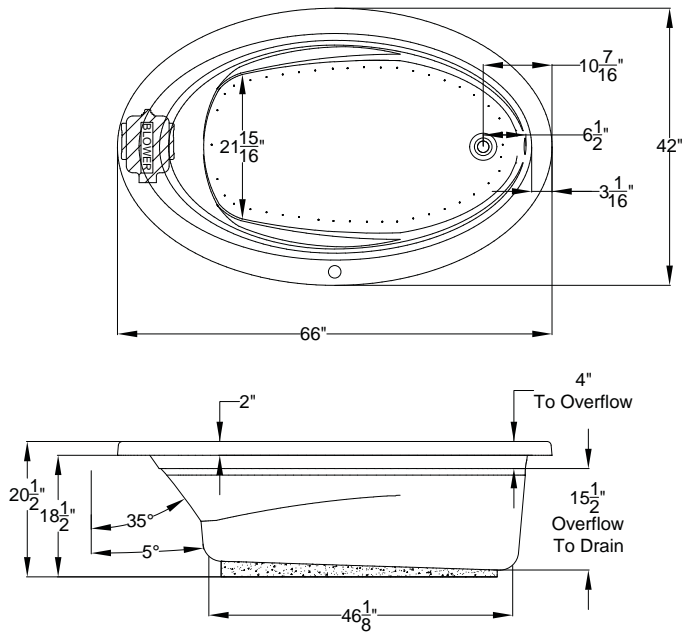
HYDROTHERAPY

8328 MacArthur Dr. • North Little Rock, AR 72118  
 501.771.4477 • Fax: 501.771.2333  
 Customer Service: 800.255.5766  
 www.jasoninternational.com

## Integrity<sup>®</sup> Collection Specifications

# W4266

### AirMasseur<sup>®</sup>




Patents received or pending.

Note: Dimensional Tolerances: ±1/4"

**Note:** The blower extends approximately 1" past the end radius of the bath. This requires angling the bath into the drop-in hole.

- Drop-in-Hole Size:** See Diagram
- Operating Capacity:** 46 Gal.
- Overflow Capacity:** 74 Gal.
- Floor Loading / sq.ft.:** 42.8 lbs.
- Carton Weight:** 120 lbs.
- Cube:** 43.2 ft.<sup>3</sup>

Air Switch Control



Includes a quiet, 120v, 3/4 HP, variable speed air blower with an integral air heater, 20-minute timer and automatic purge cycle. Air switch operates the on/off and speed functions of the blower. Requires (1) 15A, 120v GFCI protected circuit.

**Construction:** Reinforced Acrylic shell mounted on Level Form™ pre-leveled full support base.

*We provide products listed with Intertek ETL SEMKO (Edison Testing Laboratories) U.S. and Canadian and with International Association of Plumbing and Mechanical Officials (IAPMO). Consult factory with your listing requirements.*

# JASON<sup>®</sup>

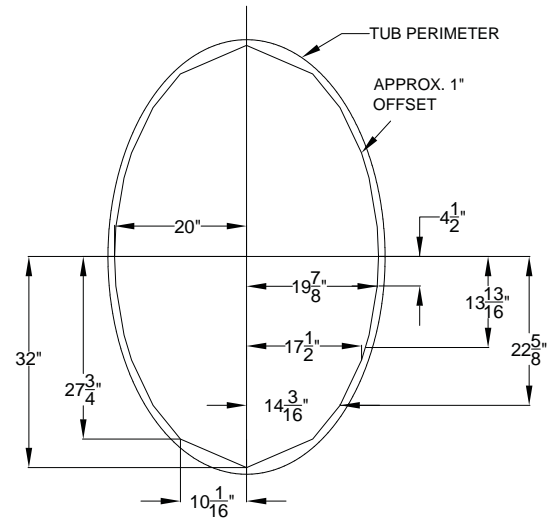
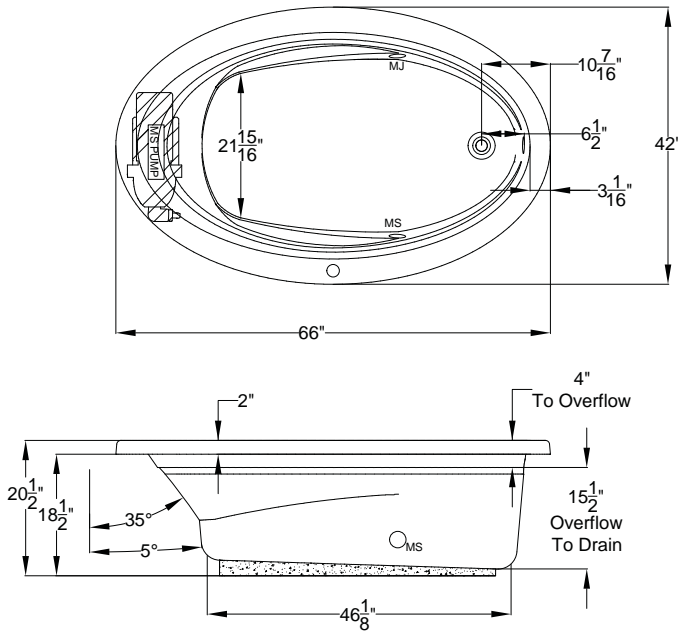
HYDROTHERAPY

8328 MacArthur Dr. • North Little Rock, AR 72118  
 501.771.4477 • Fax: 501.771.2333  
 Customer Service: 800.255.5766  
 www.jasoninternational.com

## Integrity<sup>®</sup> Collection Specifications

# W4266

### MicroSilk<sup>®</sup>



Patents received or pending.

Note: Dimensional Tolerances: ±1/4"

<b>Drop-in-Hole Size:</b>	See Diagram
<b>Operating Capacity:</b>	46 Gal.
<b>Overflow Capacity:</b>	74 Gal.
<b>Floor Loading / sq.ft.:</b>	42.7 lbs.
<b>Carton Weight:</b>	119 lbs.
<b>Cube:</b>	43.2 ft. <sup>3</sup>

Air Switch Control



Includes a quiet, 120V MicroSilk<sup>®</sup> System, 1 MicroSilk<sup>®</sup> Delivery Port. Requires (1) 20A, 120v GFCI protected circuit.

**Construction:** Reinforced Acrylic shell mounted on Level Form™ pre-leveled full support base.

*We provide products listed with Intertek ETL SEMKO (Edison Testing Laboratories) U.S. and Canadian and International Association of Plumbing and Mechanical Officials (IAPMO). Consult factory with your listing requirements.*

# JASON<sup>®</sup>

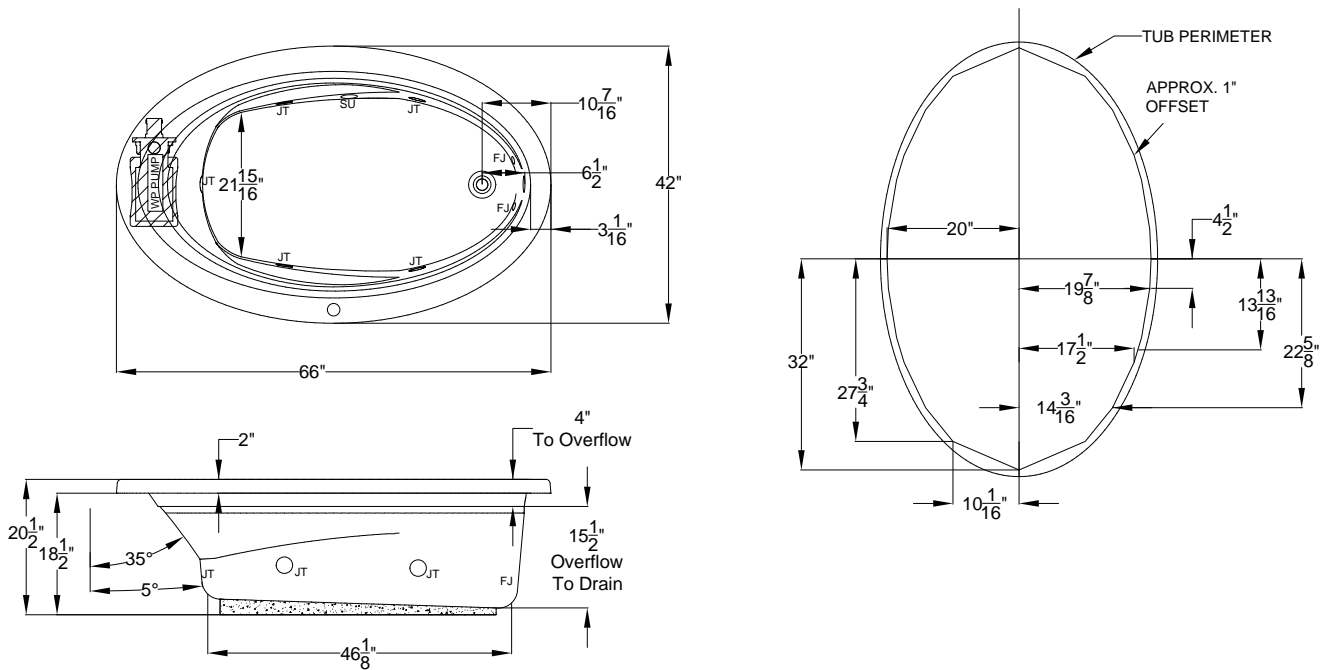
HYDROTHERAPY

8328 MacArthur Dr. • North Little Rock, AR 72118  
 501.771.4477 • Fax: 501.771.2333  
 Customer Service: 800.255.5766  
 www.jasoninternational.com

## Integrity<sup>®</sup> Collection Specifications

# W4266

### Whirlpool & Soaking



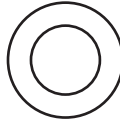
Patents received or pending.

Note: Dimensional Tolerances: ±1/4"

**Note:** The blower extends approximately 1" past the end radius of the bath. This requires angling the bath into the drop-in hole.

<b>Drop-in-Hole Size:</b>	See Diagram
<b>Operating Capacity:</b>	46 Gal.
<b>Overflow Capacity:</b>	74 Gal.
<b>Floor Loading / sq.ft. (WP/ Soaking):</b>	42.3/ 40.1 lbs.
<b>Carton Wt. (WP/Soaking):</b>	113/80 lbs.
<b>Cube:</b>	43.2 ft. <sup>3</sup>

Air Switch Control



Includes a quiet, 120v, 1HP, 1-speed pump and an air switch on/off control. Requires (1) 20A, 120v GFCI protected circuit.

**Construction:** Reinforced Acrylic shell mounted on Level Form™ pre-leveled full support base.

*We provide products listed with Intertek ETL SEMKO (Edison Testing Laboratories) U.S. and Canadian and with International Association of Plumbing and Mechanical Officials (IAPMO). Consult factory with your listing requirements.*