

# JASON<sup>®</sup>

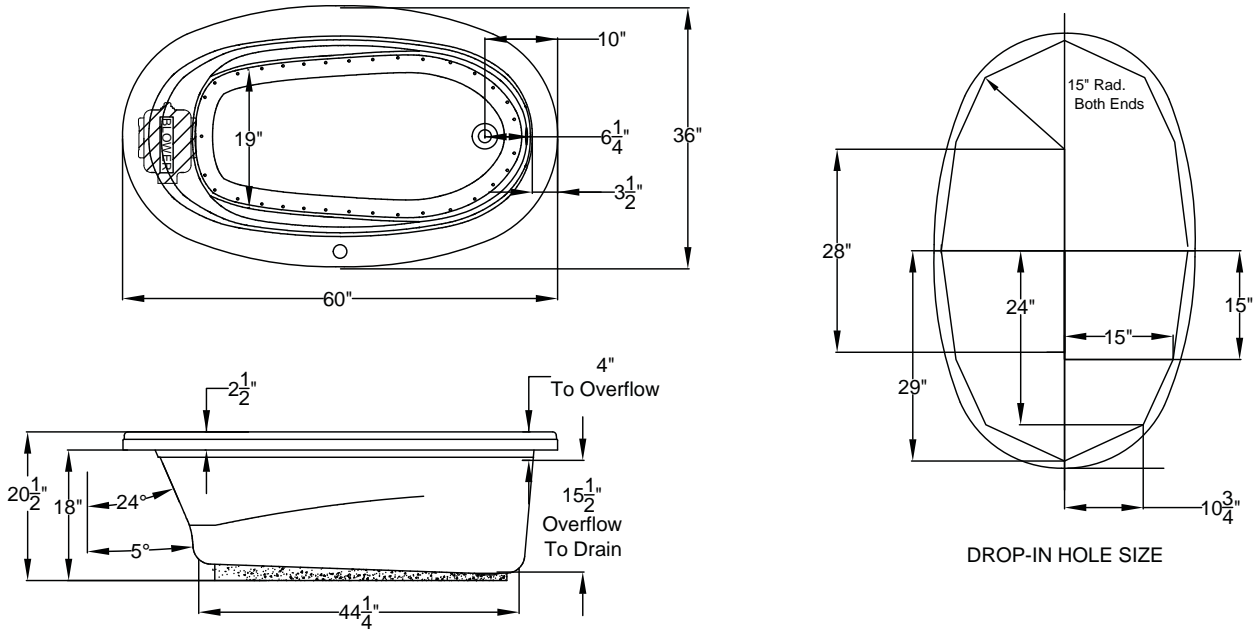
HYDROTHERAPY

8328 MacArthur Dr. • North Little Rock, AR 72118  
 501.771.4477 • Fax: 501.771.2333  
 Customer Service: 800.255.5766  
 www.jasoninternational.com

## Integrity<sup>®</sup> Collection Specifications

# N3660

### AirMasseur<sup>®</sup>




Patents received or pending.

Note: Dimensional Tolerances: ±1/4"

**Note:** The blower extends approximately 1" past the end radius of the bath. This requires angling the bath into the drop-in hole.

<b>Drop-in-Hole Size:</b>	See Diagram
<b>Operating Capacity:</b>	44 Gal.
<b>Overflow Capacity:</b>	57 Gal.
<b>Floor Loading / sq.ft.:</b>	57.2 lbs.
<b>Carton Weight:</b>	108 lbs.
<b>Cube:</b>	31.3 ft. <sup>3</sup>

Air Switch Control



Includes a quiet, 120v, 3/4 HP, variable speed air blower with an integral air heater, 20-minute timer and automatic purge cycle. Air switch operates the on/off and speed functions of the blower. Requires (1) 15A, 120v GFCI protected circuit.

**Construction:** Reinforced Acrylic shell mounted on Level Form™ pre-leveled full support base.

*We provide products listed with Intertek ETL SEMKO (Edison Testing Laboratories) U.S. and Canadian and with International Association of Plumbing and Mechanical Officials (IAPMO). Consult factory with your listing requirements.*

# JASON<sup>®</sup>

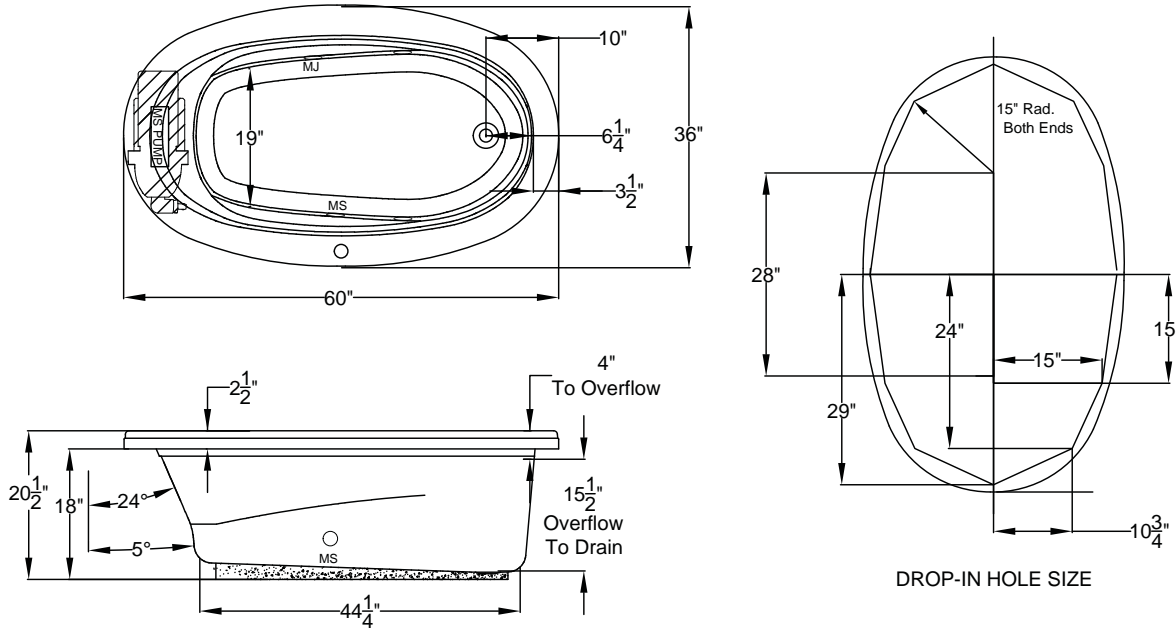
HYDROTHERAPY

8328 MacArthur Dr. • North Little Rock, AR 72118  
 501.771.4477 • Fax: 501.771.2333  
 Customer Service: 800.255.5766  
 www.jasoninternational.com

## Integrity<sup>®</sup> Collection Specifications

# N3660

### MicroSilk<sup>®</sup>



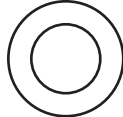
Note: Equipment may extend beyond the outside perimeter of the bath.  
 Consult factory for details.

Patents received or pending.

Note: Dimensional Tolerances: ±1/4"

<b>Drop-in-Hole Size:</b>	See Diagram
<b>Operating Capacity:</b>	44 Gal.
<b>Overflow Capacity:</b>	57 Gal.
<b>Floor Loading / sq.ft.:</b>	57.2 lbs.
<b>Carton Weight.:</b>	108 lbs.
<b>Cube:</b>	31.3 ft. <sup>3</sup>

Air Switch Control



Includes a quiet, 120V MicroSilk<sup>®</sup> System, 1 MicroSilk<sup>®</sup> Delivery Port. Requires (1) 20A, 120V GFCI protected circuit.

**Construction:** Reinforced Acrylic shell mounted on Level Form™ pre-leveled full support base.

*We provide products listed with Intertek ETL SEMKO (Edison Testing Laboratories) U.S. and Canadian and with International Association of Plumbing and Mechanical Officials (IAPMO). Consult factory with your listing requirements.*

# JASON<sup>®</sup>

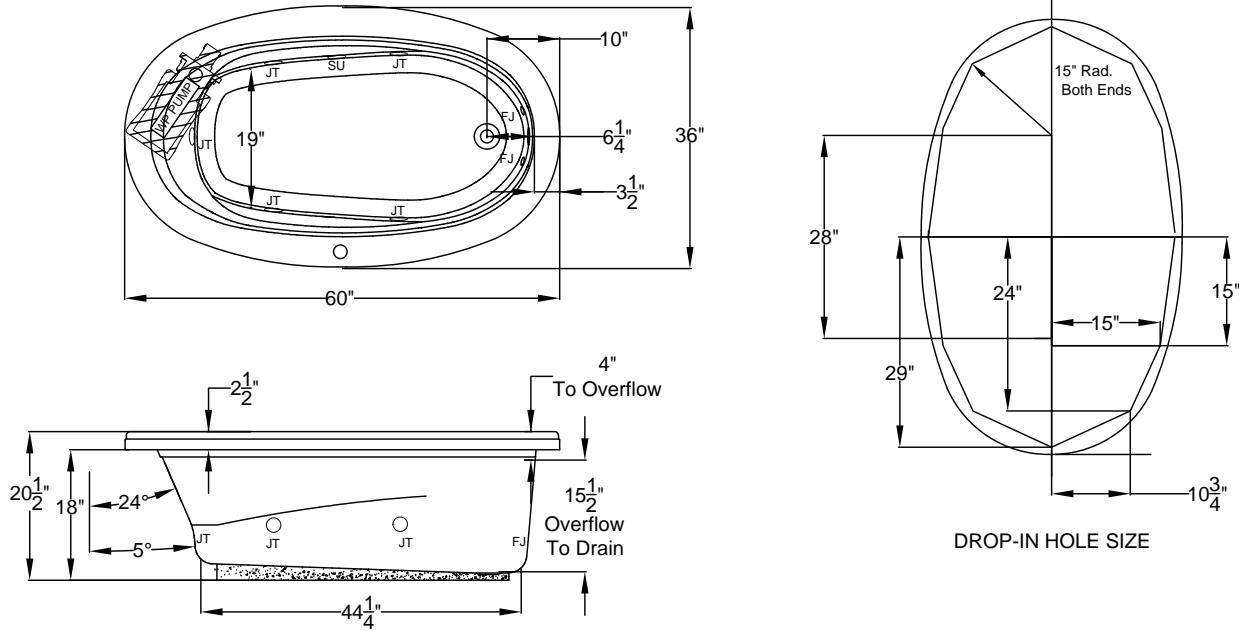
HYDROTHERAPY

8328 MacArthur Dr. • North Little Rock, AR 72118  
 501.771.4477 • Fax: 501.771.2333  
 Customer Service: 800.255.5766  
 www.jasoninternational.com

## Integrity<sup>®</sup> Collection Specifications

# N3660

### Whirlpool & Soaking




Note: The pump extends approximately 1" past the end radius of the bath. This requires angling the bath into the drop-in hole.

Patents received or pending.

Note: Dimensional Tolerances: ±1/4"

<b>Drop-in-Hole Size:</b>	See Diagram
<b>Operating Capacity:</b>	44 Gal.
<b>Overflow Capacity:</b>	57 Gal.
<b>Floor Loading / sq.ft.:</b>	56.6/ 53.7 lbs.
<b>Carton Wt. (WP/Soaking):</b>	101/ 69 lbs.
<b>Cube:</b>	31.3 ft. <sup>3</sup>

Air Switch Control



Includes a quiet, 120v, 1HP, 1-speed pump and an air switch on/off control. Requires (1) 20A, 120v GFCI protected circuit.

**Construction:** Reinforced Acrylic shell mounted on Level Form™ pre-leveled full support base.

*We provide products listed with Intertek ETL SEMKO (Edison Testing Laboratories) U.S. and Canadian and with International Association of Plumbing and Mechanical Officials (IAPMO). Consult factory with your listing requirements.*