

# JASON<sup>®</sup>

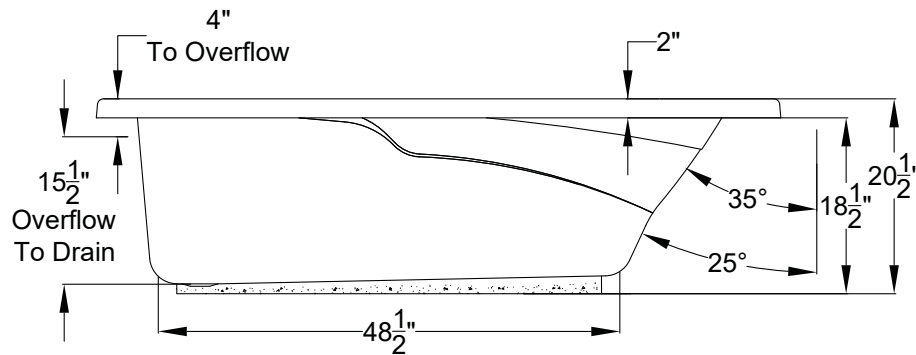
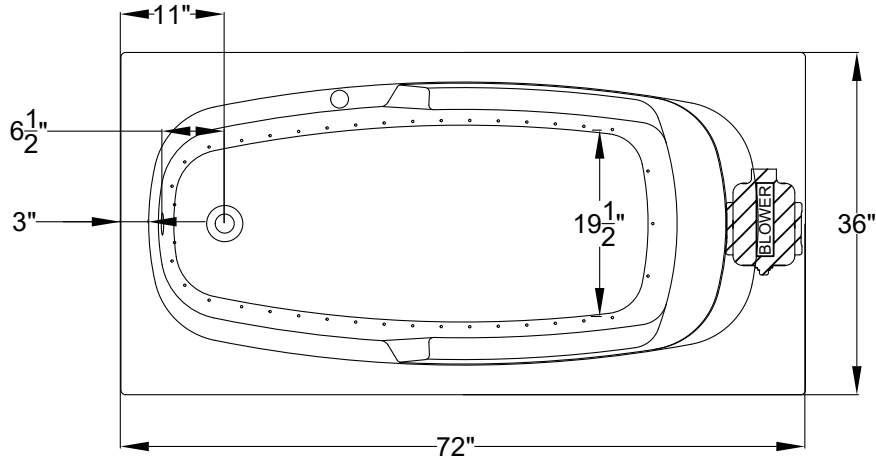
HYDROTHERAPY

8328 MacArthur Dr. • North Little Rock, AR 72118  
 501.771.4477 • Fax: 501.771.2333  
 Customer Service: 800.255.5766  
 www.jasoninternational.com

## Integrity<sup>®</sup> Collection Specifications

# B3672

### AirMasseur<sup>®</sup>




Patents received or pending.

Note: Dimensional Tolerances: ±1/4"

|                                |                       |
|--------------------------------|-----------------------|
| <b>Drop-in-Hole Size:</b>      | 34" x 70"             |
| <b>Operating Capacity:</b>     | 45 Gal.               |
| <b>Overflow Capacity:</b>      | 69 Gal.               |
| <b>Floor Loading / sq.ft.:</b> | 44.8 lbs.             |
| <b>Carton Weight:</b>          | 120 lbs.              |
| <b>Cube:</b>                   | 37.3 ft. <sup>3</sup> |

Air Switch Control



Includes a quiet, 120v, 3/4 HP, variable speed air blower with an integral air heater, 20-minute timer and automatic purge cycle. Air switch operates the on/off and speed functions of the blower. Requires (1) 15A, 120v GFCI protected circuit.

**Construction:** Reinforced Acrylic shell mounted on Level Form™ pre-leveled full support base.

*We provide products listed with Intertek ETL SEMKO (Edison Testing Laboratories) U.S. and Canadian and with International Association of Plumbing and Mechanical Officials (IAPMO). Consult factory with your listing requirements.*

# JASON<sup>®</sup>

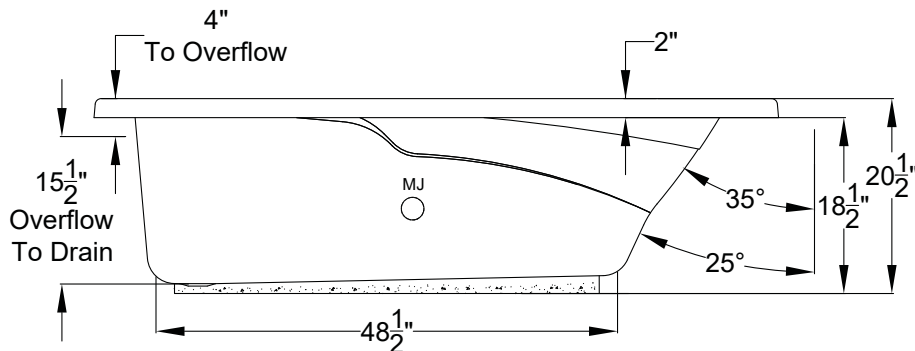
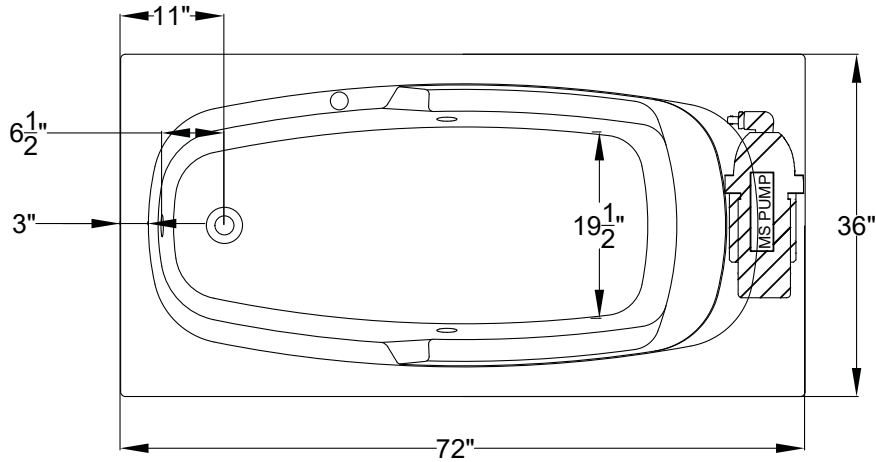
HYDROTHERAPY

8328 MacArthur Dr. • North Little Rock, AR 72118  
 501.771.4477 • Fax: 501.771.2333  
 Customer Service: 800.255.5766  
 www.jasoninternational.com

## Integrity<sup>®</sup> Collection Specifications

# B3672

### MicroSilk<sup>®</sup>



Patents received or pending.

Note: Dimensional Tolerances: ±1/4"

- Drop-in-Hole Size:** 34" x 70"
- Operating Capacity:** 45 Gal.
- Overflow Capacity:** 69 Gal.
- Floor Loading / sq.ft.:** 44.7 lbs.
- Carton Weight:** 119 lbs.
- Cube:** 37.3 ft.<sup>3</sup>

Air Switch Control



Includes a quiet, 120V MicroSilk<sup>®</sup> System, 1 MicroSilk<sup>®</sup> Delivery Port. Requires (1) 20A, 120V GFCI protected circuit.

**Construction:** Reinforced Acrylic shell mounted on Level Form<sup>™</sup> pre-leveled full support base.

*We provide products listed with Intertek ETL SEMKO (Edison Testing Laboratories) U.S. and Canadian and with International Association of Plumbing and Mechanical Officials (IAPMO). Consult factory with your listing requirements.*

# JASON<sup>®</sup>

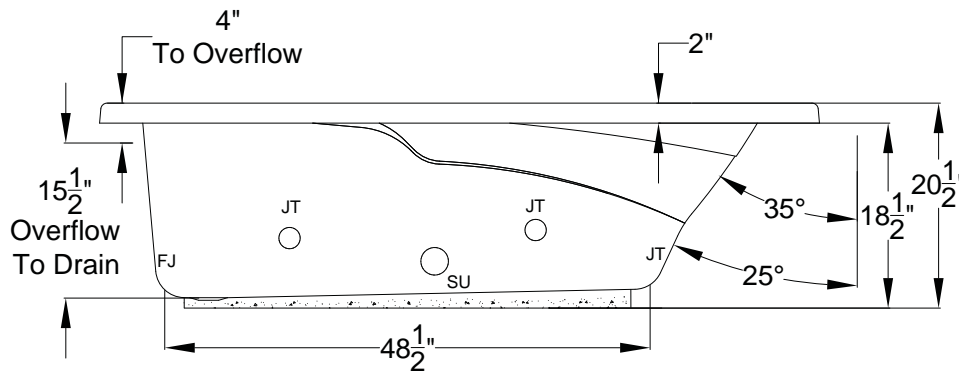
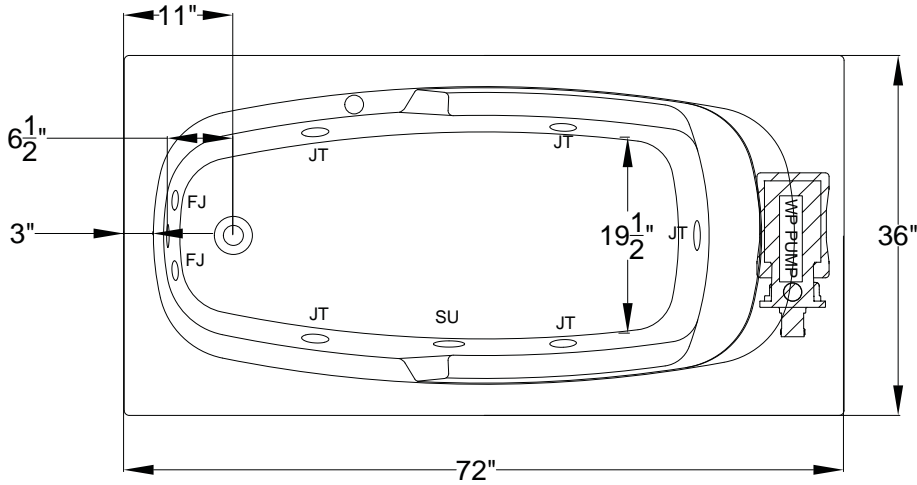
HYDROTHERAPY

8328 MacArthur Dr. • North Little Rock, AR 72118  
 501.771.4477 • Fax: 501.771.2333  
 Customer Service: 800.255.5766  
 www.jasoninternational.com

## Integrity<sup>®</sup> Collection Specifications

# B3672

### Whirlpool & Soaking




Patents received or pending.

Note: Dimensional Tolerances: ±1/4"

|  |                       |
|--|-----------------------|
| <b>Drop-in-Hole Size:</b>                    | 34" x 70"             |
| <b>Operating Capacity:</b>                   | 45 Gal.               |
| <b>Overflow Capacity:</b>                    | 69 Gal.               |
| <b>Floor Loading / sq.ft. (WP/ Soaking):</b> | 44.6/ 42 lbs.         |
| <b>Carton Wt. (WP/Soaking):</b>              | 118/80 lbs.           |
| <b>Cube:</b>                                 | 37.3 ft. <sup>3</sup> |

Air Switch Control



Includes a quiet, 120v, 1HP, 1-speed pump and an air switch on/off control. Requires (1) 20A, 120v GFCI protected circuit.

**Construction:** Reinforced Acrylic shell mounted on Level Form™ pre-leveled full support base.

*We provide products listed with Intertek ETL SEMKO (Edison Testing Laboratories) U.S. and Canadian and with International Association of Plumbing and Mechanical Officials (IAPMO). Consult factory with your listing requirements.*