

GUTHRIE

METRO COLLECTION



AVAILABLE SIZES

- 58.36.24

WATER CAPACITY

- 65 Gallons

WEIGHT

- 245 Pounds

BACK SLOPE

- 28°

MATERIAL

- Hydroluxe Solid Surface

STANDARD COLORS

- White, Biscuit, Bone

PREMIUM COLORS

- Red, Black, Graphite

FINISH

- Matte, Polished, Two-Tone

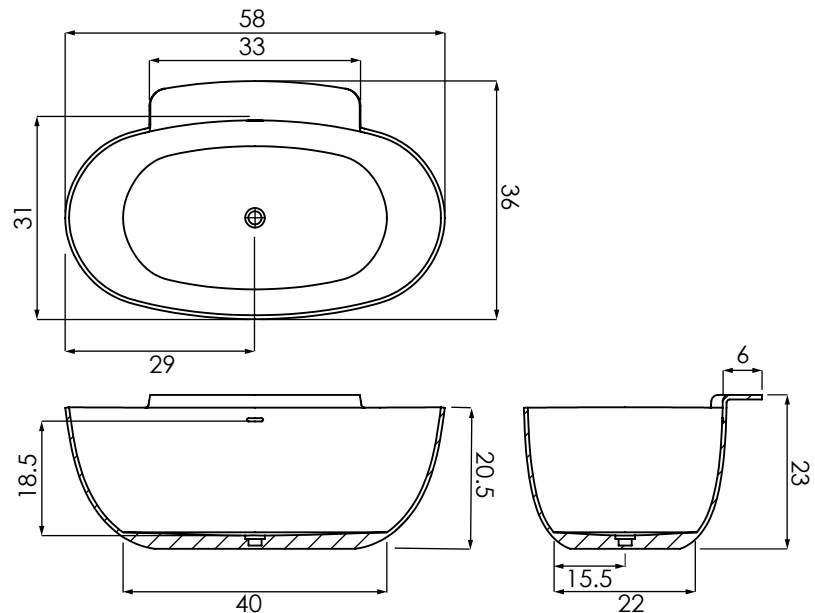
WARRANTY

- 10 years



OPTIONS (more information available on our website)

- Air System
 - Blower and Control Panel must be remotely located
 - Electrical Requirements 1 15 AMP dedicated GFI
- Remote Control for Air System
- Tower



CODES AND COMPLIANCES

Massachusetts code File no: P1-0614-491



HYDRO SYSTEMS
Family Owned And Operated Since 1978

29132 Avenue Paine, Valencia, CA, 91355
661.775.0686 | hydrosystem.com

All specifications and options subject to change without notice please contact a hydro systems representative for more information.