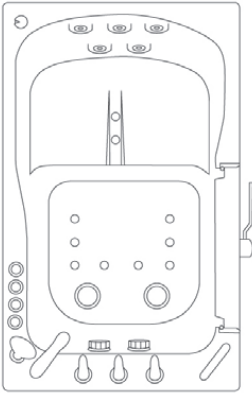
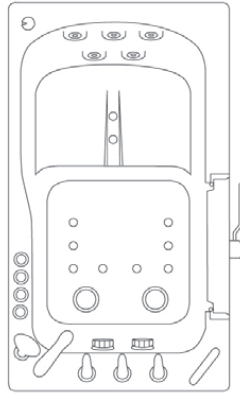


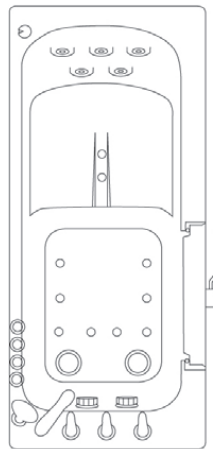
ELLA ACRYLIC WALK IN BATHTUBS OWNERS MANUAL



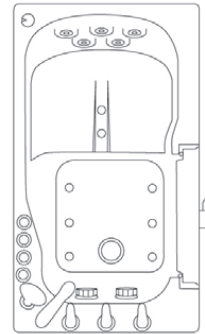
Monaco
OA3252 L / OA3252 R



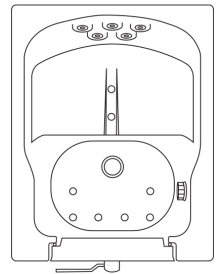
Malibu
OA3052 L / OA3052 R



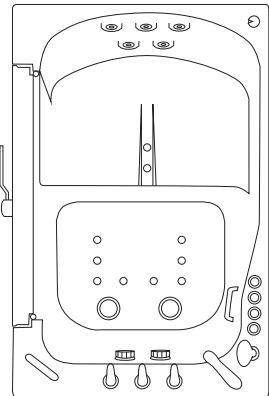
Lounger
OA2660 L / OA2660 R



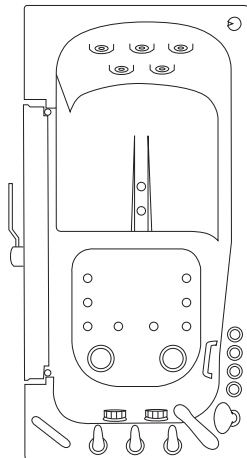
Mobile
OA2645 L / OA2645 R
Single Drain



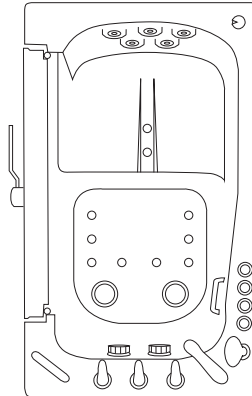
Front Entry
OAF3240 L / OAF3240 R
Single Drain



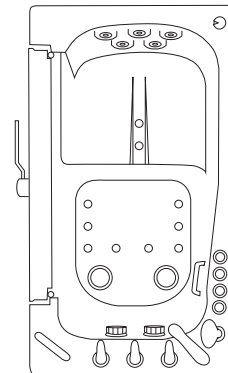
TransferXXXL
OLA3655 L / OLA3655 R



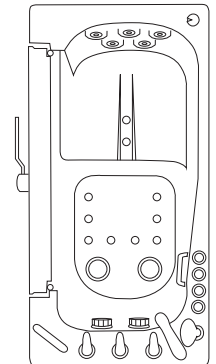
Transfer60
OLA3060 L / OLA3060 R



Transfer32
OLA3252 L / OLA3252 R



Transfer30
OLA3052 L / OLA3052 R



Transfer26
OLA2652 L / OLA2652 R

Unpacking and Inspecting..... 1

Warnings and Labels..... 2-3

Moving your Ella Walk In Bath..... 4

Important Safety Instructions..... 5-6

Required Steps Prior to Installation..... 7

Drain and Plumbing Positioning Options..... 8

Door and Frame Adjustments..... 9-11

Service Access and Ventilation..... 12

Installation of Deck Mount Grab Bar..... 13

Installing Extension Kit 14

Finishing Installation..... 15

Cleaning and Maintenance..... 16

Additional Operating Instructions by the Original Part Manufacturer 17-30

Warranty Information..... 31

Warranty Activation Form..... 32-33

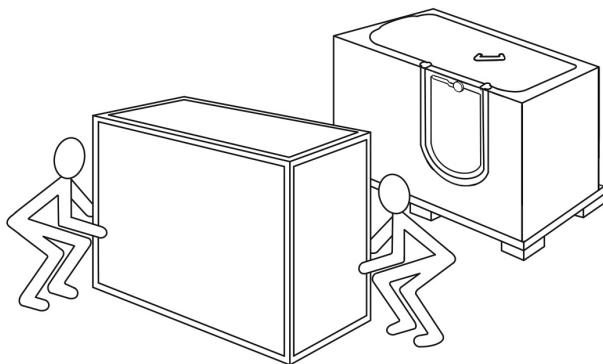
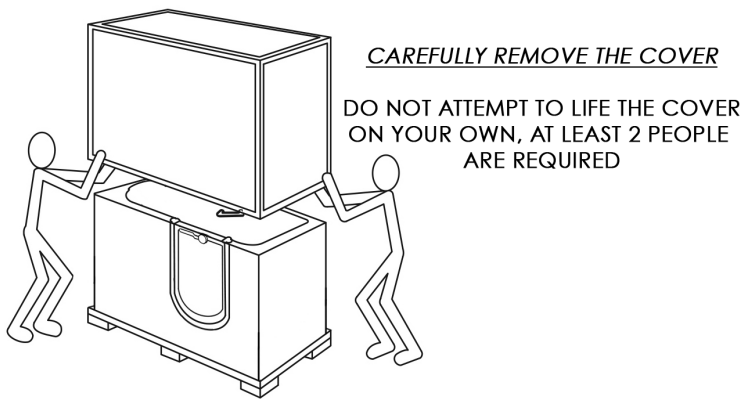
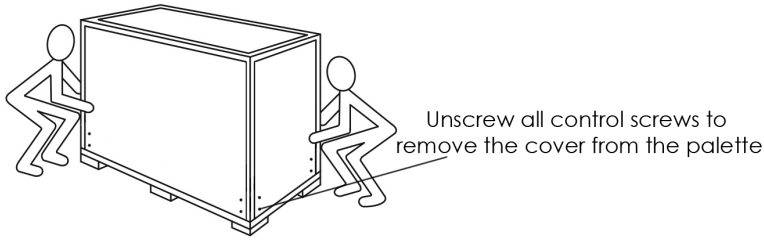
Technical Information and Specifications..... 34+

IMPORTANT

Warranty Activation Form **MUST** be completed for both the Owner and Installer to validate the warranty.

Failure to complete both pages will void the warranty on this bathtub.

Completed Ella Warranty Activation Forms can be emailed to warranty@ellasbubbles.com, faxed to 312.666.3551, OR mailed to 2101 S. Carpenter St., Chicago, IL 60608



Inspect the carton for damage: Take a picture if possible.

CAREFULLY RECORD ALL PERCEIVED DAMAGE

DO NOT LIFT THE TUB BY THE PLUMBING. Doing so can result in leaks, for which the installer is responsible. All Walk-In Tubs are water tested before they leave our factory and the bath tub you have purchased has passed inspection.

Inspect the plumbing for any fittings that may have loosened in transit.

You must follow all the instructions in this manual.

FAILURE TO READ AND COMPLY WITH ALL INSTRUCTIONS CAN RESULT IN PRODUCT DAMAGE OR INJURY TO BOTH INSTALLER AND HOMEOWNER. IT WILL ALSO RESULT IN ASSUMPTION OF ALL LIABILITY BY SAID INSTALLER

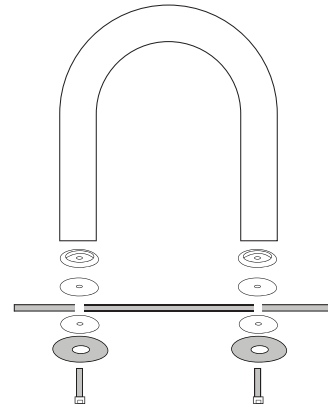
NOTE: Returns are only accepted in original packaging used for shipping. Use caution so as not to damage cardboard crate or its wooden pallet. Do not dispose of shipping material until installation is complete. Please visit our website, www.ellasbubbles.com for complete details of return/exchange policy.

Your Ella's bathtub comes with several warning label stickers throughout and are as follows:

WARNING

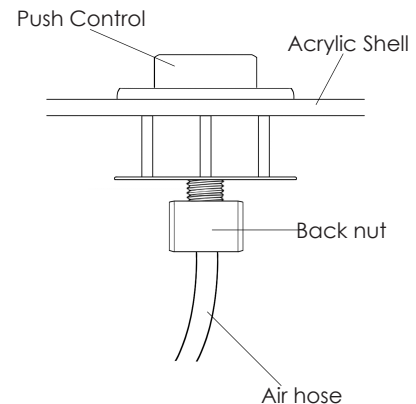
GRAB BAR WASHERS MUST BE INSTALLED TO PREVENT CRACKING OF THE ACRYLIC SHELL
WARRANTY IS VOID OTHERWISE

Details on Page 12



WARNING

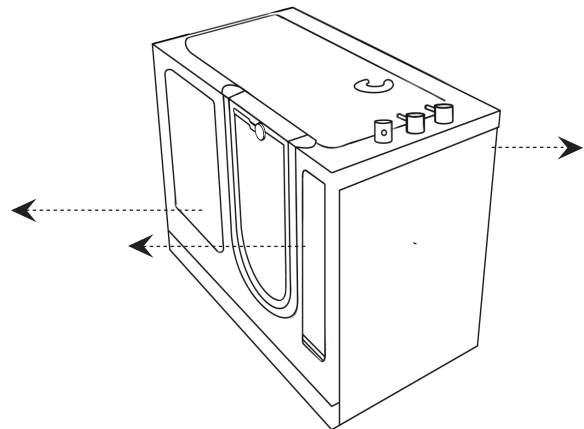
MAKE SURE AIR PIPE CONNECTION TO PUSH CONTROLS IS PROPERLY TIGHTENED AND THAT PUSH CONTROLS ARE FUNCTIONING PROPERLY BEFORE FINALIZING INSTALLATION OF TUB



WARNING

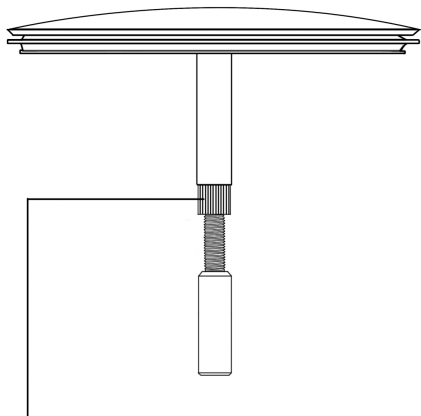
REMOVE END PANELS BEFORE ATTEMPTING TO MOVE OR CARRY. FAILURE TO DO SO CAN LEAD TO DAMAGING AIR JETS AND OTHER COMPONENTS OF THE BATHTUB

Details on Page 3



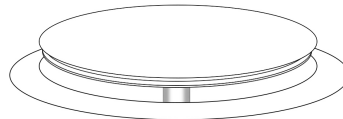
Warnings and Labels Continued

WARNING: To prevent stripping the PVC threads, **ONLY** hand tighten the drain elbow. **DO NOT** tighten with tools.



Backnut **MUST** be securely tightened. Failure to do so will cause loosening over time resulting in it coming apart and falling down the drain.

Drain open all the way



Drain closed completely



Drain must open completely to drain properly and close completely to avoid unnecessary drainage.

WARNING!

PLEASE READ BEFORE BEGINNING INSTALLATION

WARNING: Do not attach the hand held shower to the wall unless you have an extension hose with a barrel protection. This may cause water to leak behind your walk in tub.



Water from the hose can drip down into the hand shower base and get behind your tub without the barrel protection.

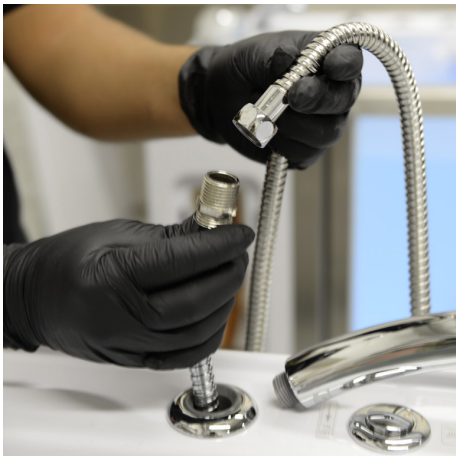
TO INSTALL BARREL EXTENSION HOSE:



1) Start by unscrewing your shower head mixer from the hose.



2) Next take your stainless steel barrel and screw it on the end of the hose.



3) Take your extension hose and screw it to the opposite side of the barrel.



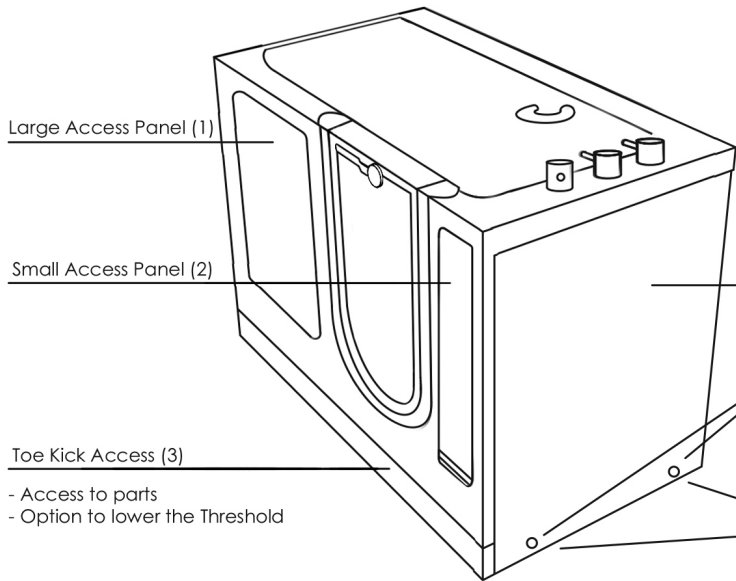
4) Place the barrel in the shower base to plug the hole.



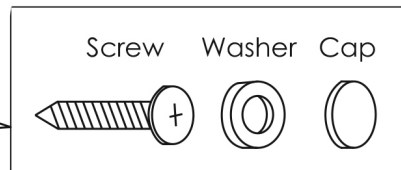
5) Finally, screw on the shower head mixer to the other end of the extension hose.

Please heed all warnings listed in the previous pages to avoid potential issues

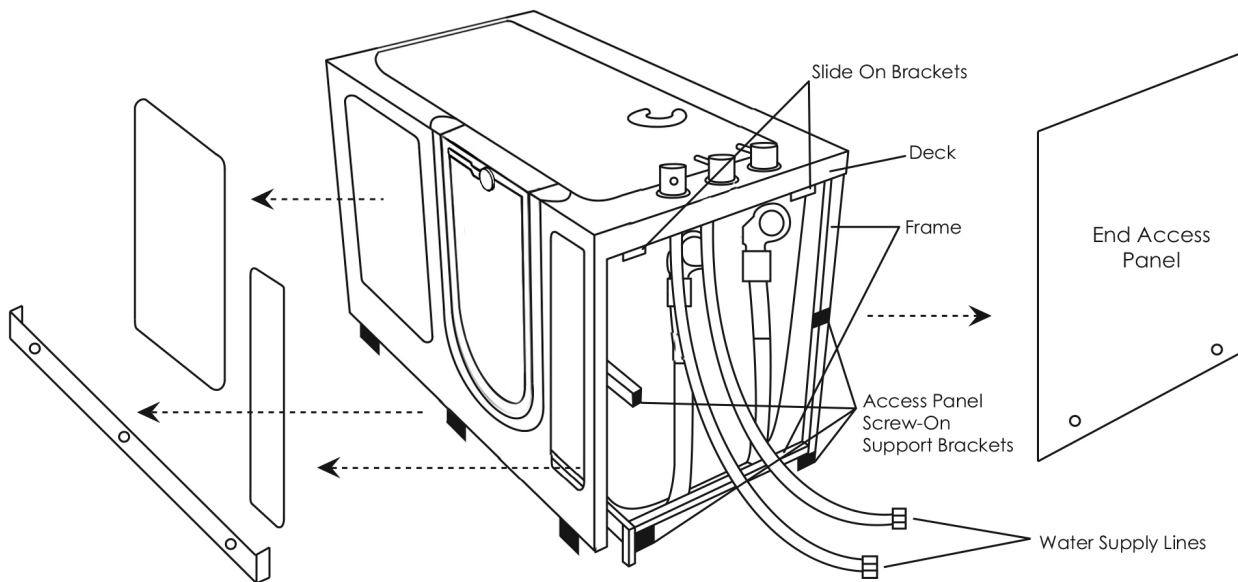
Moving your Ella Walk in Bath



- Remove all four (4) access panels before moving the tub
- Take off the screw caps
- Unscrew the screws with a Philips head screwdriver
- Remove the end access panel



WARNING: Do not carry the walk in tub by the panels. Be careful when carrying the tub, avoid front panel contact with the floor or stairs to prevent damages. Make sure no loose parts are hanging down. Remove all four (4) access panels before carrying the tub to prevent them from falling out and breaking.



WARNING: Lift and carry the tub only by the frame. Protect the bottom of the tub to avoid breaking the air jets positioned on the bottom of the tub.

WARNING:

*****Read through the entire manual completely before beginning installation.*****

Contract a licensed plumber and electrician for installation. Be sure you and your contractor are aware and follow all local plumbing and electrical codes. Your Ella Walk in Bath is not intended for outdoor use. Install the tub in accordance with the instructions in the manual. Use ONLY the parts and accessories provided or as recommended by the manufacturer.

CAUTION:

When using this product, basic precautions should always be followed. Read and follow all instructions pertaining to risk of fire, electric shock and injury. Make sure and have your licensed electrician test all connections to the dedicated line, including the GFCI.

Risk of electric shock; Do not permit electric appliances within 3 feet (1.5m) of the tub. i.e.: hair dryers, lamps, phones, radios, televisions, etc.

To reduce the risk of injury, do not permit children or persons with disabilities to use this product unless they are supervised by an able-bodied adult at all times. Never drop or insert any objects into any openings.

Do not turn on the Hydro jets without water reaching the waterline. The waterline is the point where all jets are covered with water.

DANGER:

Temperature in excess of 100.4 Fahrenheit (38 Celsius) may be harmful to your health. Check and adjust the temperature before use. Consult your physician before using your Ella Walk in Bath if you have a heart condition or other health issues. People using medications, herbal remedies, sleep aids, and/or having adverse medical history should consult a physician before using this product.

Pregnant women should NOT use this product before consulting their physician. Avoid the use of alcohol, drugs or other medications while using your walk in bath.

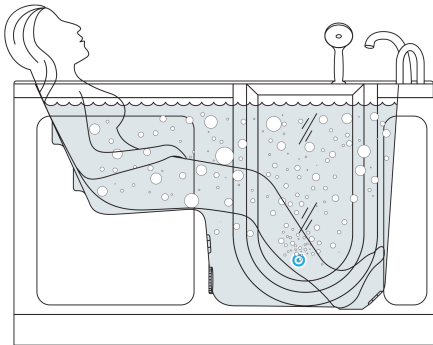
Be aware, hyperthermia is a risk when raising body temperature. Do not keep body submerged in heated bath for extended periods of time. The symptoms of hyperthermia include an increase in body temperature which can cause dizziness, lethargy, drowsiness and fainting. Avoid using the heated bath after strenuous activity.

Exercise caution while entering and exiting your Ella Walk in Bath.

WARNING:

*****USE TUB ONLY AS INTENDED! FAILURE TO DO SO CAN LEAD TO INJURY OR DEATH*****

CORRECT

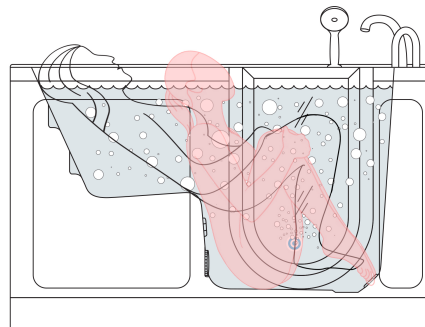
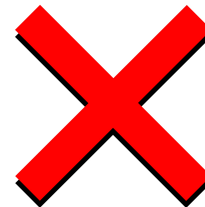
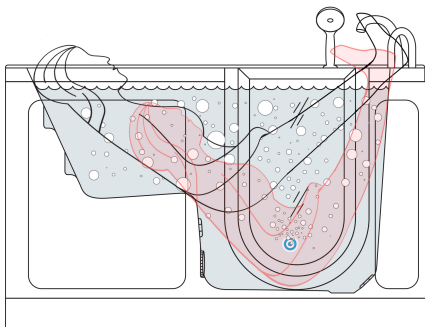


WARNING

BATHER SHOULD ONLY SIT AS SHOWN IN FIGURE TO THE LEFT. SIT FULLY IN SEAT WITH BACK ON THE BACKREST. DO NOT ATTEMPT TO SLOUCH OR LIE DOWN IN THE FOOT WELL AREA! DO NOT ATTEMPT TO PUT YOUR FEET UP ON OPPOSITE SIDE OF TUB!

In the case of bathers who do not have all functioning limbs or are paralyzed, bather must be attended by caregiver at all times and use an installed safety belt at all times.

WRONG POSITIONING



Protecting the Bath

Cover and protect the bath shell and fixtures from scratches or other damages during the installation and tests. Remove the access panels when moving the Walk in Bath and always lift the bathtub from the frame (Page #2).

Electrical

The unit **MUST** be connected to a circuit protected by a ground fault circuit interrupter (GFCI) provided and installed by a licensed electrician and tested periodically (refer to instructions provided by GFCI manufacturer). Electrical requirements vary based on package; please refer to package diagrams included in the specifications. A licensed electrician for your area is required to install and test the electrical installation process.

DO NOT use any kind of extension cords to power the unit.

Operating the pumps without first filling the bath to above the jets can cause permanent damage to your equipment.

Push the GFCI "test" button into "reset" mode. If the GFCI fails to operate in this manner, there is a ground current flow or a device malfunction, indicating the possibility of electrical shock. If this occurs, turn OFF the power and do not use the bathtub until the source of the problem has been identified and corrected.

Water Test

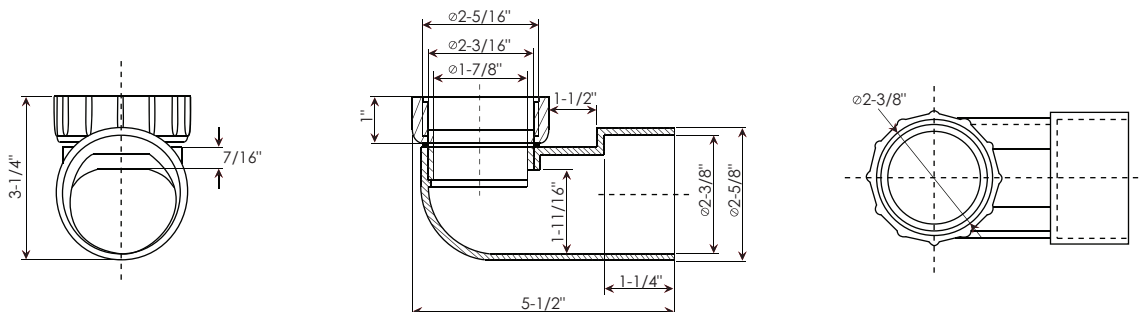
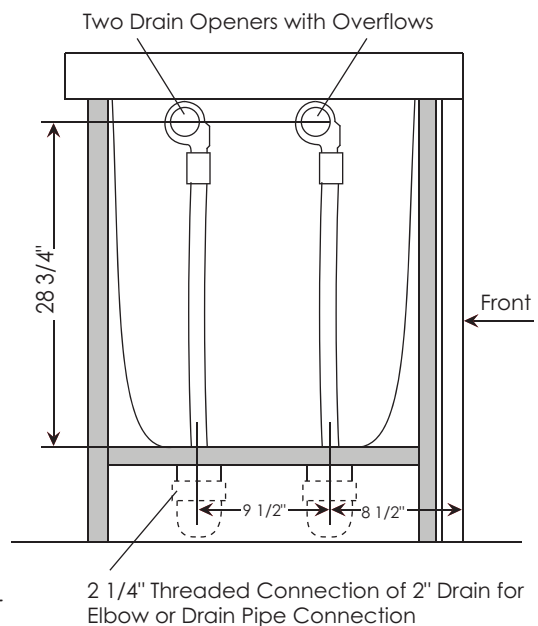
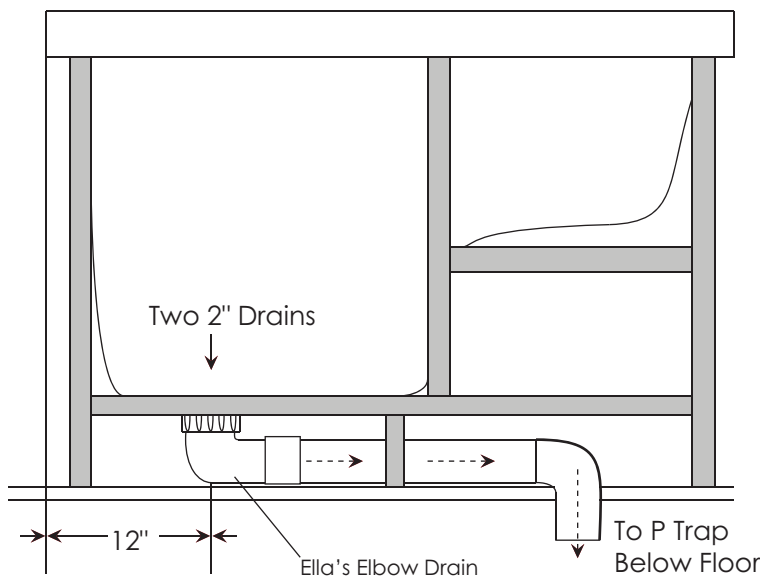
It is important to test that the Hydro and Air Pumps are functioning properly before final in-wall installation to avoid unnecessary repairs or removal.

- A. Place the tub on a completely flat surface in an area where it may be drained after testing.
- B. Using a clean rag and warm water wipe down seal to insure it is free of debris.
- C. Seal the drains (this can be done with tape) and fill the tub to at least three inches above the highest jet, or to the bottom of the grab bar if no jets are present.
- D. Allow the water to stand in tub for 30 minutes and then inspect all plumbing and seals for leaks.
- E. Using appropriately rated three-prong extension cords, all plugged in to separate outlets, operate all electrical components (air blower, water pump, and heater if applicable) for another 30 minutes and inspect for leaks again. Inspect the unions around the pump and heater.
- F. If a leak persists at a union after tightening, it may have been over-tightened or might have a displaced O-ring. Disassemble it and make sure the O-ring was seated properly. Do the same if a leak persists at the heater. Verify that the heater threads match the pipe threads.

Make sure that the drain rough in has been placed at the proper location. The dual drain can be connected with a "T" or "Y" connection into existing house drain. Proper materials must be used based on local plumbing code requirements.

NOTE: Flexible drains are not permitted in some areas. The customer and their contractor are responsible for using the appropriate solution to meet the current local construction and plumbing code requirements, proper drainage, and rodding access to the drain. The contractor and customer is responsible for testing the house drain prior the installation of the walk-in bathtub to assure proper drainage of the bathtub. The drainage time varies due to condition of the house drain. The stated drainage time of 80 seconds only applies under ideal plumbing conditions.

Drain Elbow Options

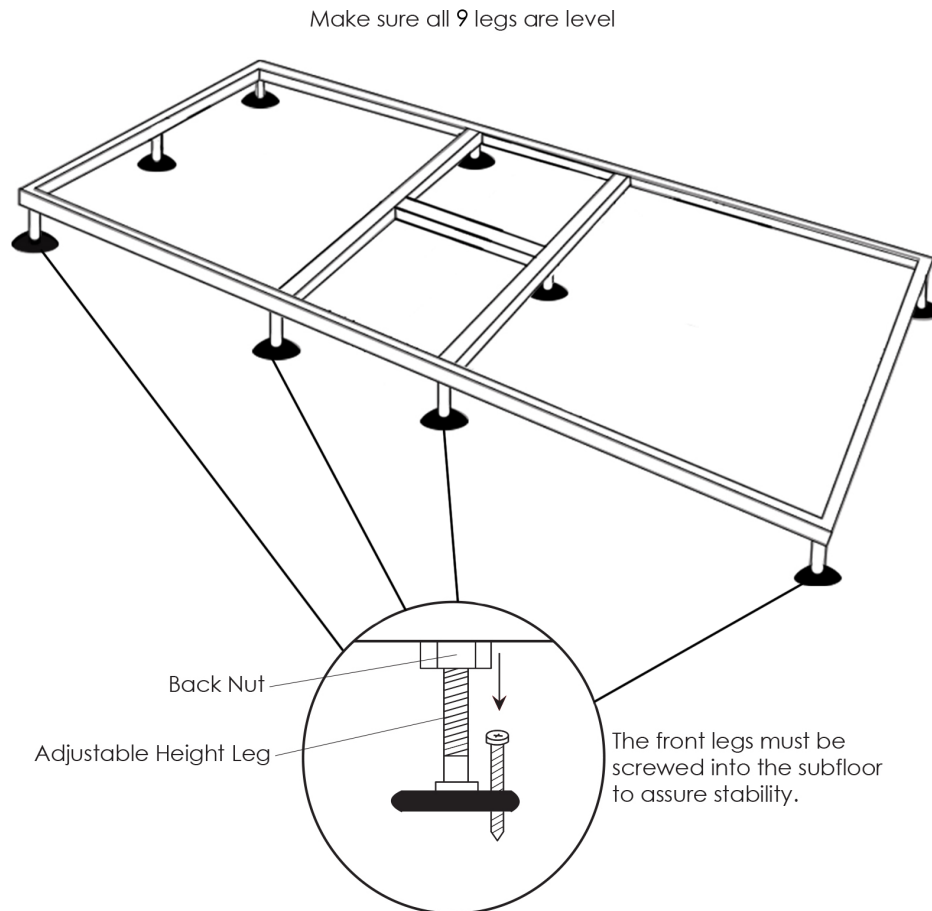


Disclaimer:

In an effort to continually improve our product, specifications and configurations are subject to change without notice. Before ordering or installing, consider future access to essential equipment.

Prepare the sub-floor for the drain and ensure that the area is level. The supporting sub-floor must be able to support the total weight of the bathtub, bather and water and must meet local construction code requirements.

Use a level and make sure that the sub-floor below the tub is leveled. If the floor is not perfectly level, adjust the appropriate leveling legs to re-align the tub to perfect level. It is important that all of the leveling legs are completely supporting the tub (touching the floor with equal weight distribution) and the tub is leveled for the door seal to work properly. If the tub is not perfectly leveled, it may cause frame and shell warping which can cause changes in door alignment resulting in water leakage and void the warranty.

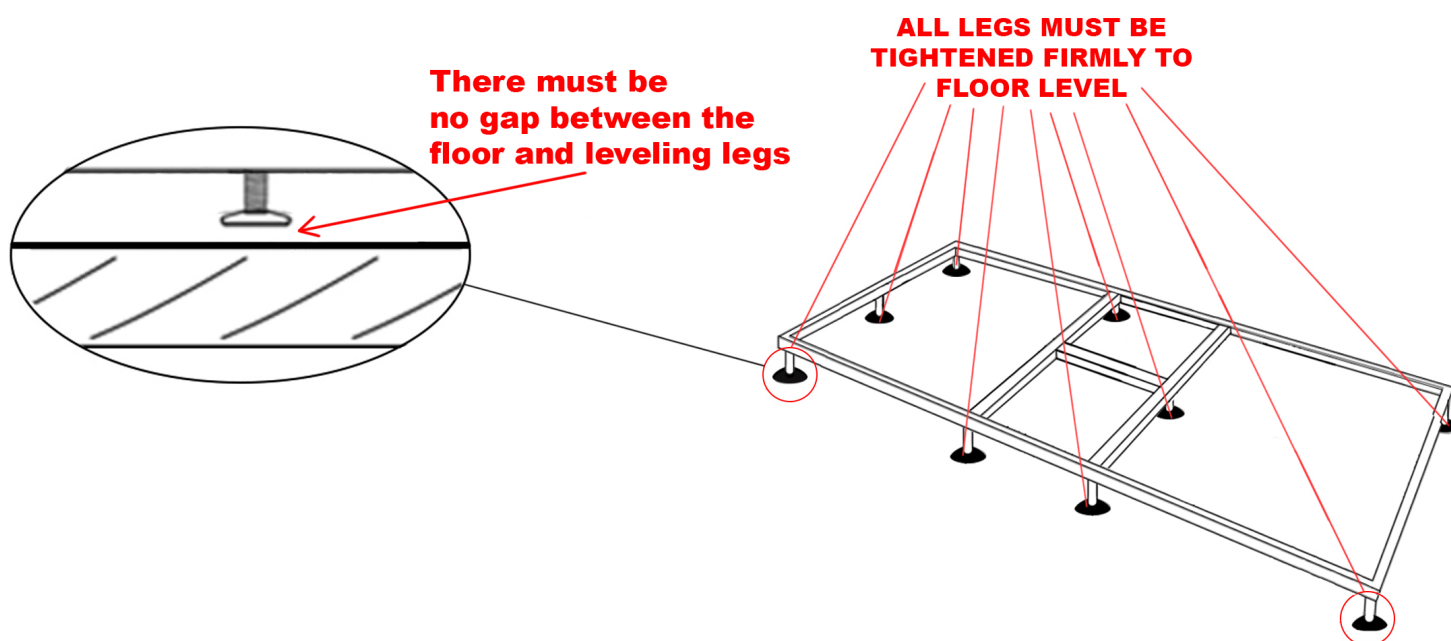


DISCLAIMER: The frame specifications and configuration vary based on model. If the sub-floor does not support the total weight of the bath, bather and the water, it can result in warping of the shell, misalignment of the door and/or create leaks and could lead to damage of your home.

Door and Frame Adjustments

Your walk in bathtub has been tested and leveled properly before leaving our facility. Our walk in bathtubs have been set on a perfectly level surface to ensure no leaks and proper door closing. It is up to your installer to test and make any adjustments necessary to ensure that all leveling legs support the tub frame and that the door is aligned correctly to prevent any leaks. The door must close smoothly to create a water tight seal.

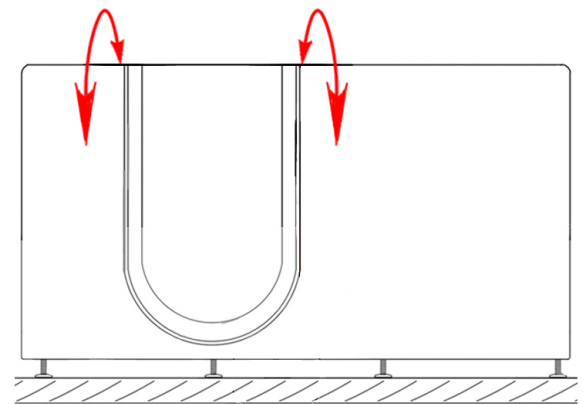
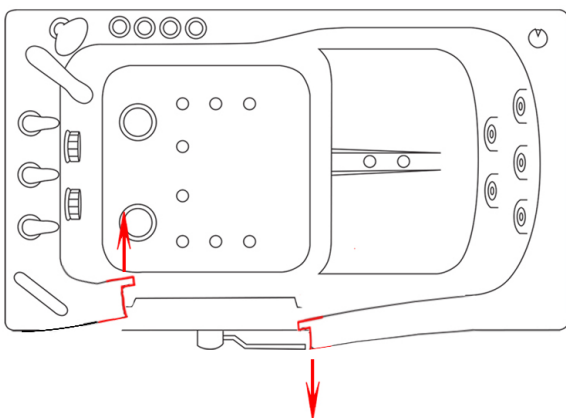
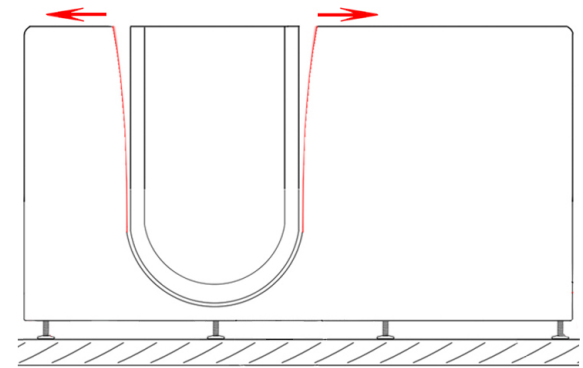
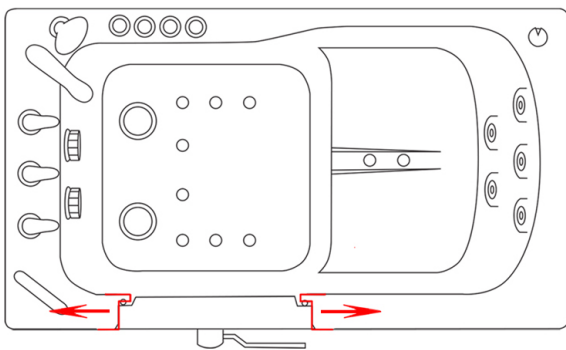
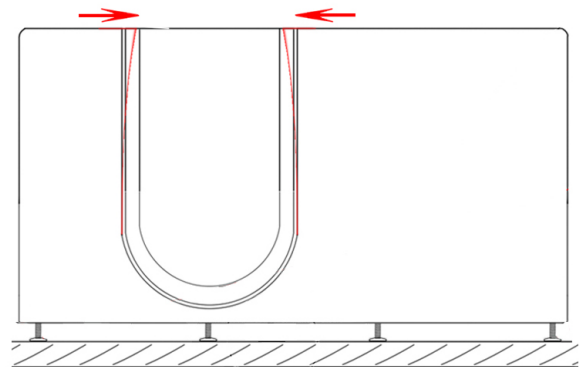
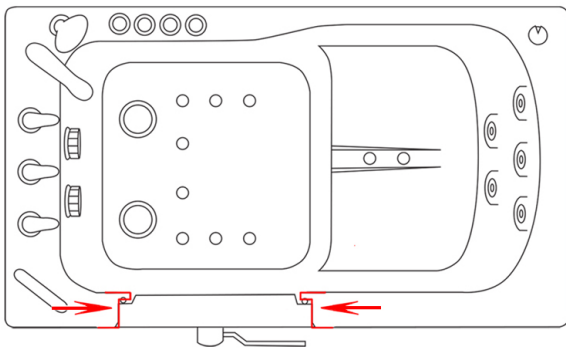
Extending or shortening the legs will help correct any alignment issues to close the gap between the door and the frame. Please call us immediately if any issues arise or if you have any concerns. 1-800-480-6850.



DISCLAIMER: The frame specifications and configuration vary based on model. If the sub-floor does not support the total weight of the bath, bather and the water, it can result in warping of the shell, misalignment of the door and/or create leaks and could lead to damage of your home.

Door and Frame Adjustments

WARNING: Failure to level the tub correctly WILL RESULT IN MISALIGNMENT! The drawings below illustrate some examples of what types of frame warping will occur if the legs are not level with the floor.



Door Handle Instructions



The door handle must be placed correctly so the handle stopper stops the door handle and protects the door mechanism from breaking. There must not be a gap between the door and door handle if it is installed correctly.



Make sure to tighten the screw with a wrench. The screw holds the door handle at approximately torque of 10 pounds. Screw on the cover and tighten it by hand (do not use a wrench).

Installation of Deck Mount Grab Bar

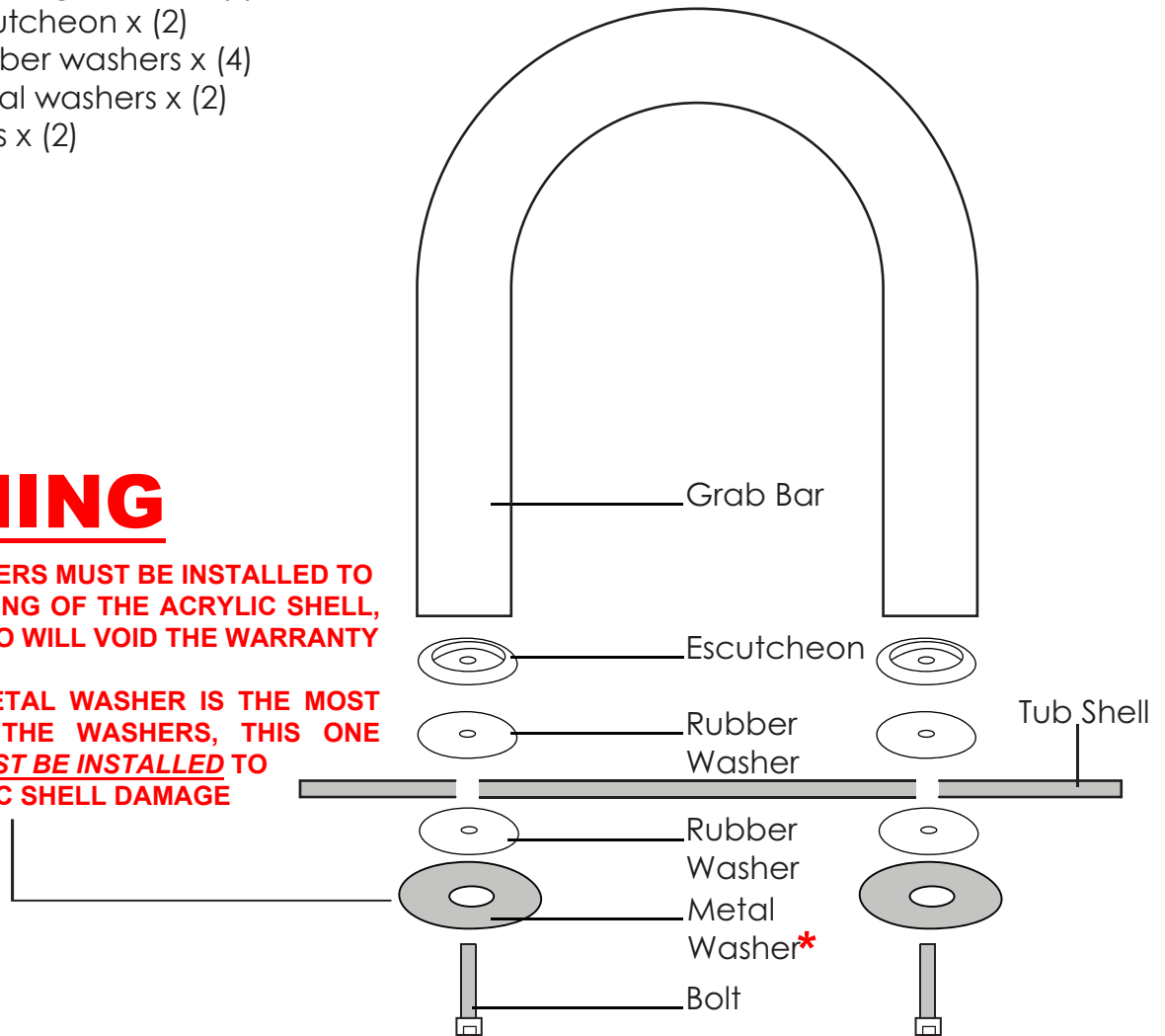


- Parts List: Chrome grab bar x (1)
Escutcheon x (2)
Rubber washers x (4)
Metal washers x (2)
Bolts x (2)

WARNING

GRAB BAR WASHERS MUST BE INSTALLED TO PREVENT CRACKING OF THE ACRYLIC SHELL, FAILURE TO DO SO WILL VOID THE WARRANTY

***THE LARGER METAL WASHER IS THE MOST IMPORTANT OF THE WASHERS, THIS ONE ABSOLUTELY MUST BE INSTALLED TO PREVENT ACRYLIC SHELL DAMAGE**

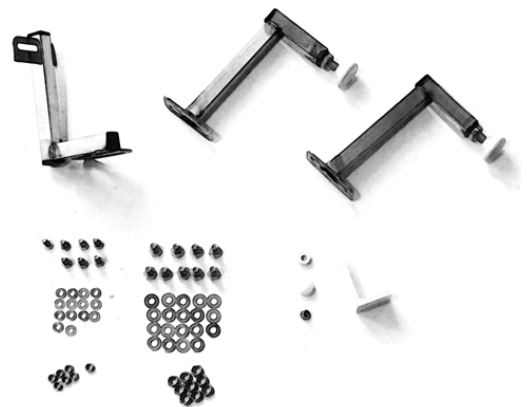
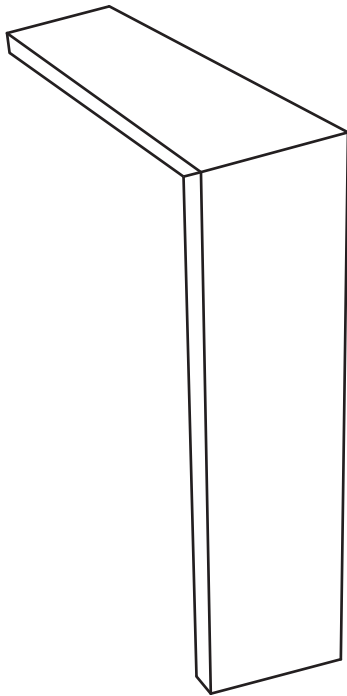


To install the supplied grab bar first locate all the parts needed for installation. See drawing shown above. Ready the bolt assembly by first placing a metal washer onto the bolt followed by a rubber washer. Feed the bolt up through the tub shell and place another rubber washer over the extruded bolt followed by the escutcheon. You may start the threading into the grab bar to hold the assembly loosely in position and then repeat the process for the second bolt. Once the entire assembly is in place, tighten the bolts with the supplied Allen wrench.

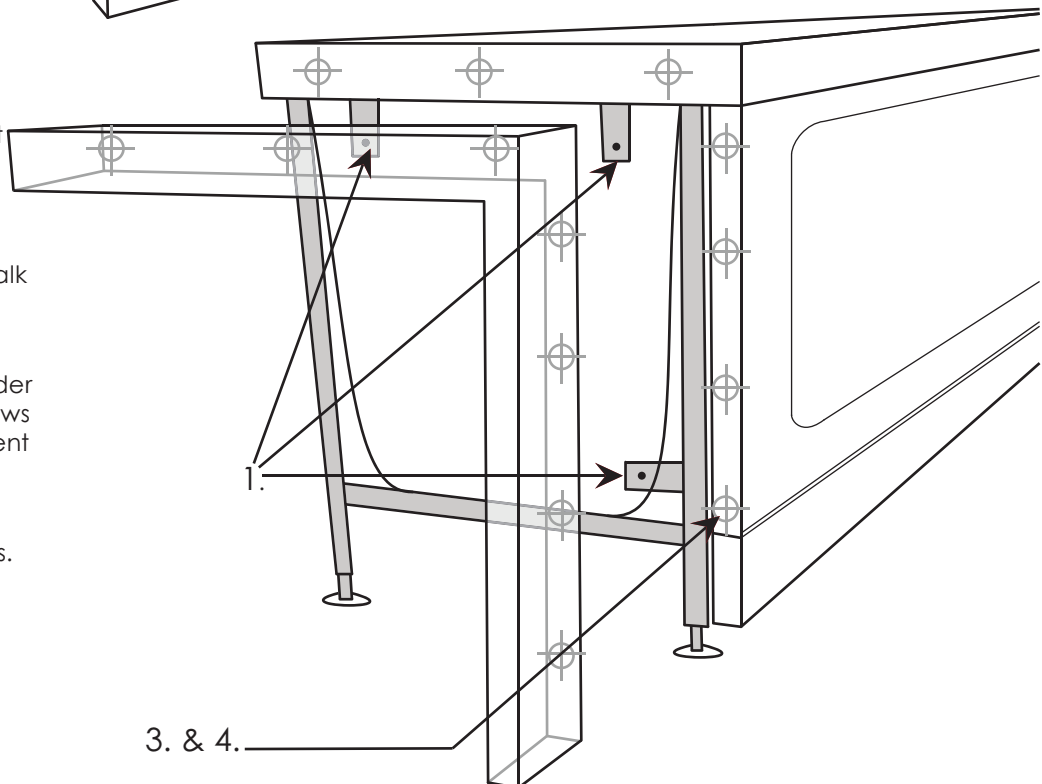
WARNING: Under no circumstances install the grab bar without the large metal washer underneath the tub shell. Doing so will leave the tub shell vulnerable to cracking and **void the warranty.**

Deluxe Dimensions: 5"W x 29 1/2"L x 37"H
 Elite Dimensions: 7"W x 29 3/4"L x 37 3/4"H
 Royal Dimensions: 7"W x 31 3/4"L x 37 3/4"H
 Petite Dimensions: 7"W x 27 2/4"L x 37 3/4"H

- L" Stainless Steel BracketsQty (3)
- L" Acrylic BracketQty (1)
- 1" x 1/8" BoltsQty (7)
- 1" x 1/4" BoltsQty (7)
- 1" ScrewQty (1)
- 1/2" NutsQty (9)
- 3/8" NutsQty (7)
- Medium WashersQty (14)
- Small WashersQty (14)
- Plastic WasherQty (1)
- Plastic CapQty (1)



1. Install 3 extension support brackets provides in the kit.
2. Clamp in place, the extension panel to the walk in tub shell, lining up the facade of top and front.
3. Pre-drill (+3/8") slightly wider holes than mounting screws to allow for final adjustment to the panel.
4. Mount extension with 7 screws, washers and bolts.
5. Apply Silicone or white caulking as needed.

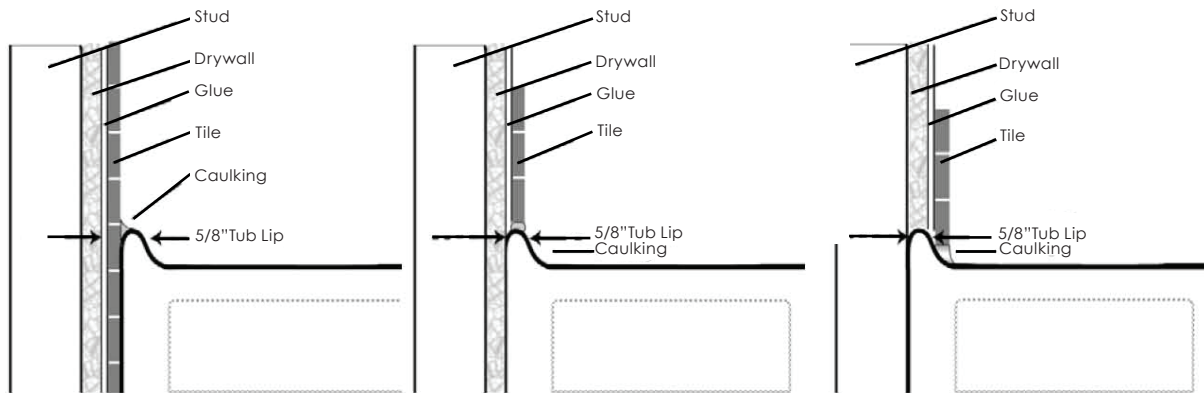


The extension kit can be installed as needed. Opening can be filled as desired.

Finishing Installation



After all of the water and electrical testing is completed and all fixtures are checked, the tub can be installed to the surrounding wall or walls. Ella Walk in Baths come with low rise tile flange which allows for two or one wall installations. The extension panel of the bathtub can be installed as needed for 60" openings.



The tub can be finished and tiled over as shown in images. Caulking must be applied to joints as needed after the bathtub is installed.

Threshold Lowering Option

Lowering the threshold is an option that can be chosen during installation. Because your Ella Walk in Bath is set up for easy installation, lowering the threshold requires the drain option to be set up below the floor. To lower the Walk in Bath threshold; First, remove the toe kick panel to expose the adjustable leg supports. Adjust the height of the tub while keeping the Walk in Bath plumb level on all four corners. Finish the installation with baseboard.

NOTE: Any alterations or installed additions are the responsibility of the installer. Ella Accessible Bathrooms is not responsible for any damage to the unit or for water damage, which could occur due to improper installation.

Recommended Acrylic Cleaners

Use only cleaning products whose labels state that they are SAFE for ACRYLIC. Always test products on a small are of skirt before applying to complete bath area.

- **White Vinegar & Water (Recommended)**
- ZEP Professional strength shower tub & tile cleaner
- Dawn dish detergent
- Rubbermaid commercial strength shower tub & tile cleaner
- Home Depot HDX shower tub & tile cleaner
- Scrub free original soap scum remover
- Kaboom shower tub & tile cleaner with oxy clean
- Simple green all purpose cleaners (any scent)
- Simple green lime scale remover
- Simple green natural bathroom cleaner
- All tilex products
- All Pine-Sol Products
- All Frangranzia Products

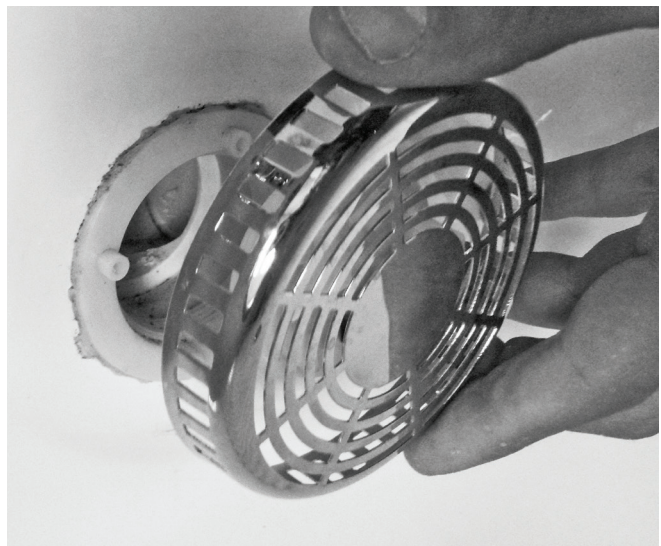
DO NOT USE the following on your

ACRYLIC Bath System. The use of the following chemicals will cause a dull surface or chemical cracks. The use of these products will VOID YOUR WARRANTY.

- Any product containing ammonia
- Dow scrubbing bubbles
- Abrasive Cleaners
- Ajax
- Comet
- Fantistik
- Soft Scrub
- Mr. Clean
- Nail Polish Remover
- Scouring Pads
- Ammonia
- Tough Act
- Powder or Crystal Drain Cleaners
- Greenworks Bathroom Cleaner
- Scrub Free w/Bleach
- Seventh generation bathroom cleaner - regular
- Magic Eraser

Monthly Maintenance

It is recommended that once a month the tub is flushed. As well, with every month of normal use, clean out the pumps inlet cover (shown right) by unscrewing the cover (counter clockwise) and removing any hair and debris from the cover and housing. Remount the cover in place. Never operate the system with the cover off, as the pump creates a strong suction and damage to the pump or injury may occur.



May not be applicable to your specific package
Refer to your package diagrams for more information



**Additional Operating Instructions
by the
Original Part Manufacturer**

**TOUCHSTONE
Dual Load Controller**

CIMC-296-01-01-01 (15 Amp)

CIMC-296-01-02-01 (20 Amp)

Configuration #1

Single Speed Pump

Variable Speed Blower

Owner's Manual

May not be applicable to your specific package
Refer to your package diagrams for more information



Important Safety Instructions

**PLEASE READ CAREFULLY PRIOR TO
Troubleshooting and Servicing Electrical Equipment**

Definitions:

WARNING (May cause serious injuries or death)

CAUTION (May cause property damage)

For information on NuWhirl Instructions, see:
www.nuwhirl.com/docs/product-instructions.html

When installing and using this electrical equipment, basic safety precautions should always be followed, including:

WARNING: Keep dry. Replace control if exposed to water, moisture or contamination.

WARNING: Use and follow these instructions along with all instructions that have been provided with your whirlpool bathtub in order to fully enjoy the bathtub safely.

WARNING: Electronic control system components should be installed as per local and national Electrical Codes, in a location not to be subjected to splashing or flooding. Exposure to water or splashing will void all product certifications and warranties.

There are no user serviceable parts inside. Opening, modifying, or tampering with control system components will void all product certifications and warranties.

WARNING: Risk of electric shock. Connect only to a ground type receptacle or power supply junction box protected by a Ground-Fault Circuit Interrupter (GFCI). Contact a qualified electrician if you cannot verify that the power supply is protected by a GFCI. The GFCI should be tested on a routine basis. Consult the GFCI manufacturer's instructions for correct testing and operation.

For electrical connections, see applicable wiring diagram.

See www.nuwhirl.com/docs/product-instructions.html

Do not use an extension cord to connect the product to the electric supply; provide a properly located receptacle or junction box.

WARNING: Failure to install in strict accordance with each and every instruction above may compromise the system, which may cause injury to persons and/or property.

The tub may be supplied from more than one power source. Before working on any electrical device, make sure all power to the control system is off.

Use this unit only for its intended use as described in this manual. Do not use attachments not recommended by the manufacturer. Any improper installation or misuse of the equipment may result in injury to the user and will void the warranty.

Do not run unit dry. Always be certain that the pump casing is filled with water before starting the unit. If pump fails to prime within 30 seconds, turn it off. Check if there is an airlock, clogged plumbing, or closed valve.

Save these instructions.

TOUCHSTONE Dual Load Bath Control System Configuration #1 Owner's Manual

Your whirlpool bathtub has been equipped with TOUCHSTONE Electronic Controls to provide features that allow you to customize your bathing experience to your individual preference. Please familiarize yourself with the features and operating instructions below in order to maximize the enjoyment you receive from your bath. These operating instructions should be used in conjunction with the other instructions and warnings provided with your whirlpool bathtub in order to fully understand and safely utilize the bathtub.

System Features

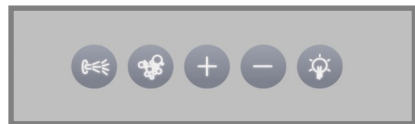
- Air Button or Electronic Keypad Options
- Independent Function Timers
- Single-Speed Pump
- Variable-Speed Blower
- Automatic Dry Cycle
- Multicolor LED Tub Lights

Air Button and Electronic Keypad Options

Airswitch Buttons may be labeled
Water, Air, Light.



Lighted Electronic Keypad.





Air Button Operating Instructions

Single Speed Pump (Water): The Whirlpool Water System is activated by pressing the Water Button. Ensure first that there is sufficient water in the Tub to at least cover the Jets. (If not, the Water Detection Function will prevent the Pump from starting dry). This will turn on the Pump, and activate its 20-minute timer. The Whirlpool Water System will stop automatically when its timer expires. To turn off this function earlier, press the Water System Button at any time.



Variable-Speed Air Blower (Air): The Air system is activated by pressing the Air Button. (The Air System runs independently of the Tub Water Level). This will turn on the Blower, and activate its 20-minute timer. To change the Speed of the Blower, press and hold to start the Blower, and then ramp its Speed down. Release at the desired setting. To activate the "Massage Mode", press and hold to start the Blower, and then ramp its Speed down to the lowest setting, pause, then release. To turn off the Air System earlier, press the Air Button at any time.



Automatic Dry Cycle: 15 minutes after the Water and/or Air systems are turned off, or the tub is drained, the Air Blower will automatically come on for 2 minutes. This will purge out any residual moisture in the air system, making the system fresh and ready for the next bath.

Multi-color Tub Light (Light)
The LED Multi-Color Tub Light is activated by pressing the Light Button. The first press will start its 60-minute timer, and activate the Tub Light in a "Rainbow" mode. Subsequent presses will change the color to Blue, White, Blue, Aqua, Green, Yellow, Red, Magenta, and off. To turn off this function earlier, press and hold the Light Button at any time.



TOUCHSTONE Dual Load Bath Control System Configuration #1 Owner's Manual

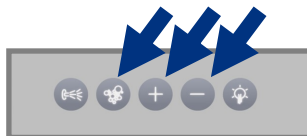
Electronic Keypad Operating Instructions

Keypad Backlighting: When in Standby, the keys are not lighted. When in use, Blue keys indicate "No Water Detected", and Green keys indicate "Water Is Detected". When a function is in use, its key will light Red. When a function is off, its key will light Blue or Green as noted above.

Single Speed Pump (Water): The Whirlpool Water System is activated by pressing the Water System Button. Ensure first that there is sufficient water in the Tub to at least cover the Jets. (If not, the Water Detection Function will prevent the Pump from starting dry, and the Button will flash Red/Blue to alert you). This will turn on the Pump, and activate its 20-minute timer. The Whirlpool Water System will stop automatically when the timer expires. To turn off this function earlier, press the Water System Button at any time.



Variable-Speed Air Blower (Air): The Air system is activated by pressing the Air Button. (The Air System runs independently of the Tub Water Level). This will turn on the Blower, and activate its 20-minute timer. To change the Speed of the Blower, press and hold the "+" or "-" Buttons accordingly. Release at the desired speed. To activate the "Massage Mode", press and hold the "+" and "-" Buttons together, pause, then release. To turn off the Air System earlier, press the Air Button at any time.



Automatic Dry Cycle: 15 minutes after the Water and/or Air systems are turned off, or the tub is drained, the Air Blower will automatically come on for 2 minutes. This will purge out any residual moisture in the air system, making the system fresh and ready for the next bath.

Multi-color Tub Light (Light): The LED Multi-Color Tub Light is activated by pressing the Light Button. (The Tub Light runs independently of the Tub Water Level). The first press will start its 60-minute timer, and activate the Tub Light in a "Rainbow" mode. Subsequent presses will change the color to Blue, White, Blue, Aqua, Green, Yellow, Red, Magenta, and off. The Tub Light will turn off automatically when the timer expires. To turn off this function earlier, press and hold the Light Button at any time.





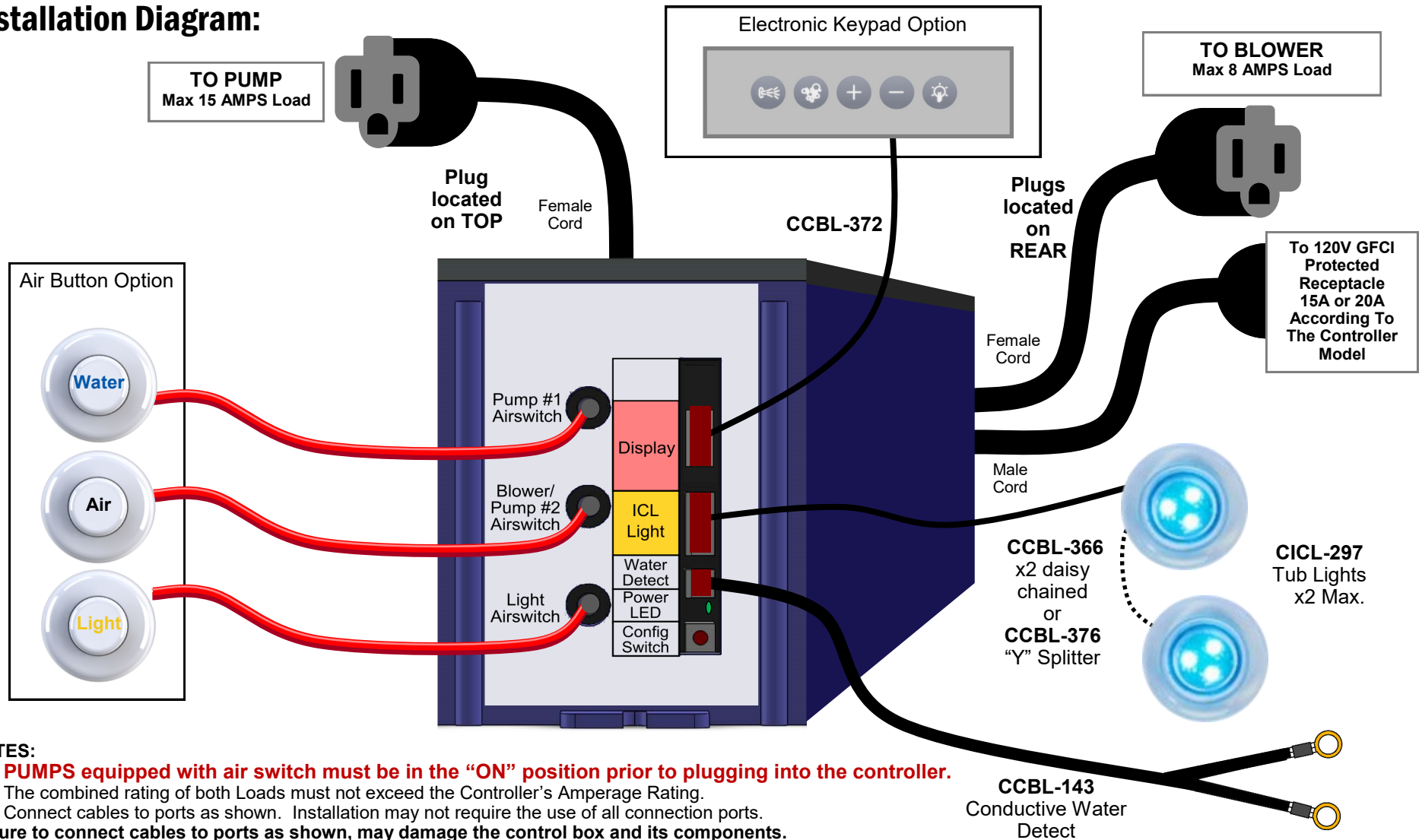
TOUCHSTONE Dual Load Control System Installation Instructions

System Identification: CIMC-296-01-[01 or 02]-01 Configuration #1

System features: Air Buttons or Electronic Keypad, Independent Timers, Single-Speed Pump, Variable-Speed Blower, Multi-Color LED Tub Lights, Conductive Water Detect.

Note: For instructions on setting the Configuration # see "Control Configuration Selection and Setting Guide"

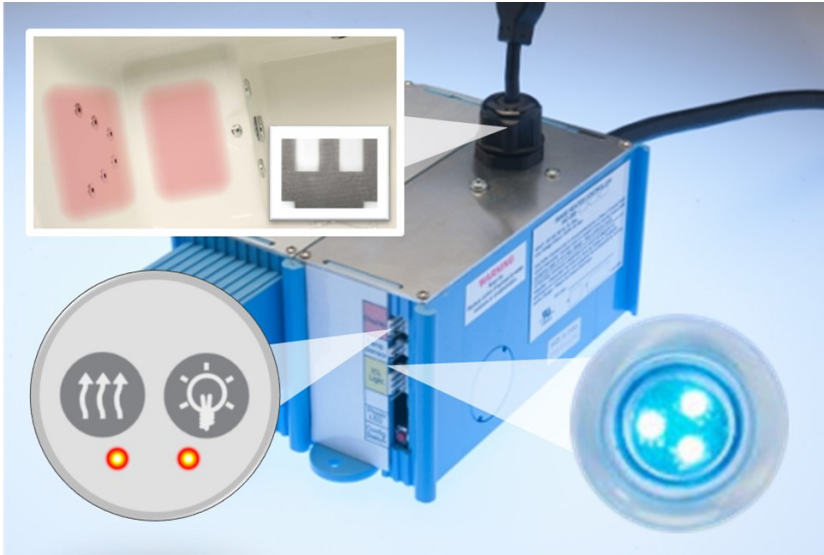
Installation Diagram:



NOTES:

- 1. PUMPS equipped with air switch must be in the "ON" position prior to plugging into the controller.**
 2. The combined rating of both Loads must not exceed the Controller's Amperage Rating.
 3. Connect cables to ports as shown. Installation may not require the use of all connection ports.
- Failure to connect cables to ports as shown, may damage the control box and its components.**

May not be applicable to your specific package
Refer to your package diagrams for more information



TOUCHSTONE

Surface Heater Controller System

For controller CIHC-300-01-01-01

Installation & Operating Instruction Manual

May not be applicable to your specific package
Refer to your package diagrams for more information



Important Safety Instructions

**PLEASE READ CAREFULLY PRIOR TO
Troubleshooting and Servicing Electrical Equipment**

Definitions:

WARNING (May cause serious injuries or death)

CAUTION (May cause property damage)

For information on NuWhirl Instructions, see:
www.nuwhirl.com/docs/product-instructions.html

When installing and using this electrical equipment, basic safety precautions should always be followed, including:

WARNING: Keep dry. Replace control if exposed to water, moisture or contamination.

WARNING: Use and follow these instructions along with all instructions that have been provided with your whirlpool bathtub in order to fully enjoy the bathtub safely.

WARNING: Electronic control system components should be installed as per local and national Electrical Codes, in a location not to be subjected to splashing or flooding. Exposure to water or splashing will void all product certifications and warranties.

There are no user serviceable parts inside. Opening, modifying, or tampering with control system components will void all product certifications and warranties.

WARNING: Risk of electric shock. Connect only to a ground type receptacle or power supply junction box protected by a Ground-Fault Circuit Interrupter (GFCI). Contact a qualified electrician if you cannot verify that the power supply is protected by a GFCI. The GFCI should be tested on a routine basis. Consult the GFCI manufacturer's instructions for correct testing and operation.

For electrical connections, see applicable wiring diagram.

See www.nuwhirl.com/docs/product-instructions.html

Do not use an extension cord to connect the product to the electric supply; provide a properly located receptacle or junction box.

WARNING: Failure to install in strict accordance with each and every instruction above may compromise the system, which may cause injury to persons and/or property.

The tub may be supplied from more than one power source. Before working on any electrical device, make sure all power to the control system is off.

Use this unit only for its intended use as described in this manual. Do not use attachments not recommended by the manufacturer. Any improper installation or misuse of the equipment may result in injury to the user and will void the warranty.

Save these instructions.

TOUCHSTONE Surface Heater Control System Installation Instructions

Your whirlpool bathtub has been equipped with TOUCHSTONE Electronic Controls to provide features that allow you to customize your bathing experience to your individual preference. Please familiarize yourself with the features and operating instructions below in order to maximize the enjoyment you receive from your bath. These operating instructions should be used in conjunction with the other instructions and warnings provided with your whirlpool bathtub in order to fully understand and safely utilize the bathtub.

System Features

- Electronic Keypad
- Automatic 30-minute timer
- Surface Heaters
- Optional Multicolor Tub Lights



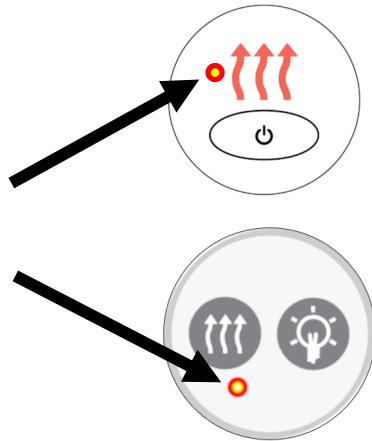
May not be applicable to your specific package
Refer to your package diagrams for more information



Electronic Keypad

Your Surface Heater System is controlled by a single electronic keypad power switch or combination heater and light keypad.

When LED is lit
the Surface
Heaters are
running.



TOUCHSTONE Surface Heater Control System Installation Instructions

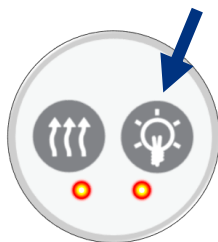
Operating Instructions

Surface Heaters

It is recommended to turn the Surface Heater ON 5-10 minutes prior to entering the tub. Once the Heater Button is pressed the red LED indicator will illuminate and start a 30-minute timer. The Heater will begin to warm the surface of the seat and/or back wall. The temperature will increase to a comfortable level within a 5-10 minute period. To turn off the Surface Heater earlier press the Surface Heater button.

Optional Multi-color Tub Light

The Multi-color Tub Light is activated by pressing the light icon key on the combination electronic keypad at any time.



Rainbow Mode:

The first press will put the light in a “Rainbow” mode, rotating through each of the color variations.

Single Color Mode:

Subsequent press-and-release of the light key will illuminate a single light color in the following order: White, Blue, Aqua, Green, Yellow, Red, Magenta

Power off:

To turn off the Light press and hold the light key at any time.

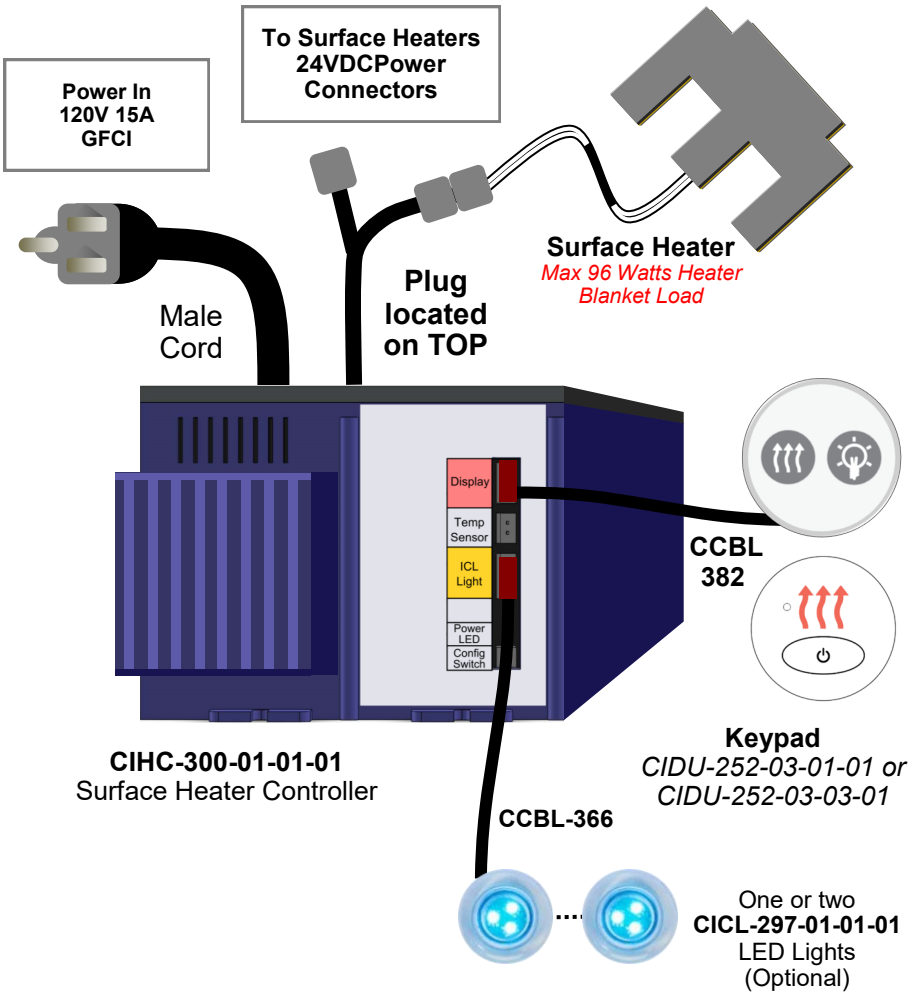
May not be applicable to your specific package
Refer to your package diagrams for more information



System Identification: CIHC-300-01-01-01

System features: Electronic Keypad, Timer, Surface Heaters, Optional Multi-color LED Lights

Controller Installation



May not be applicable to your specific package
Refer to your package diagrams for more information

TOUCHSTONE Surface Heater Control System Installation Instructions

Connect cables to ports as shown. Installation may not require the use of all connection ports.

CAUTION: Failure to connect cables to ports as shown, may damage the control box and its components and void any warranties.



May not be applicable to your specific package
Refer to your package diagrams for more information



TOUCHSTONE Air-Activated Controller Owners Manual

Product Illustration:



WARNING: Keep dry. Replace control if subjected to contamination or flooding.

WARNING: Failure to install in strict accordance with each and every instruction above may cause the Control Box to fail, which may cause injury to persons and/or property.

Installation Instructions

1. Plug the Blower into the NEMA Socket on the front of the Control Box.
2. Plug the air tubing from the air button on the bathtub onto the Air Tube Nipple on the front of the Control Box.
3. Plug the Control Box into the standard wall outlet under the tub.
4. The Control Box must be installed with the nipple located in the lower right hand corner.
5. The Control Box must be installed on a vertical surface with a 6" clearance around all ventilation openings.
6. The underside tub temperature must not exceed 122°F (50°C).
7. Hydromassage bathtubs utilizing this direct plug-in type controller shall be provided with a "drip loop" in the cable or air line to the tub side actuator.
8. Hydromassage bathtubs utilizing this direct plug-in type controller shall be constructed so that the load cord and attachment plug will be kept off the bathtub-mounting surface a minimum of 1-1/2 in. (38.1 mm).

Operating Instructions:

The first press of the air button will start the Blower at high speed. This will also start a 20-minute countdown timer which will automatically turn off the Blower when time expires. If more time is desired after the Blower turns off automatically, press the air button again to start a new 20-minute session.

The second press of the air button will change the speed of the Blower to medium speed.

The third press of the air button will change the speed of the Blower to low speed.

The fourth press of the air button will cause the Blower to change speeds from low to high in an oscillating manner ("Massage Mode").

The fifth press of the air button will turn the blower off.

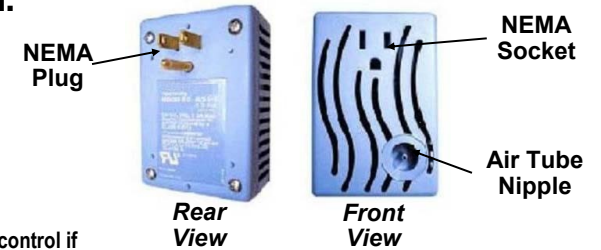
20 minutes after the Blower has been turned off (either manually or automatically) the Blower will turn on again automatically for one minute. This cycle will purge out any residual moisture that is in the air system making the system fresh and ready for the next bath.

WARNING: Use and follow these instructions along with all instructions that have been provided with your whirlpool bathtub in order to fully enjoy the bathtub safely.



TOUCHSTONE Air-Activated Controller Owners Manual

Product Illustration:



WARNING: Keep dry. Replace control if subjected to contamination or flooding.

WARNING: Failure to install in strict accordance with each and every instruction above may cause the Control Box to fail, which may cause injury to persons and/or property.

Installation Instructions

1. Plug the Blower into the NEMA Socket on the front of the Control Box.
2. Plug the air tubing from the air button on the bathtub onto the Air Tube Nipple on the front of the Control Box.
3. Plug the Control Box into the standard wall outlet under the tub.
4. The Control Box must be installed with the nipple located in the lower right hand corner.
5. The Control Box must be installed on a vertical surface with a 6" clearance around all ventilation openings.
6. The underside tub temperature must not exceed 122°F (50°C).
7. Hydromassage bathtubs utilizing this direct plug-in type controller shall be provided with a "drip loop" in the cable or air line to the tub side actuator.
8. Hydromassage bathtubs utilizing this direct plug-in type controller shall be constructed so that the load cord and attachment plug will be kept off the bathtub-mounting surface a minimum of 1-1/2 in. (38.1 mm).

Operating Instructions:

The first press of the air button will start the Blower at high speed. This will also start a 20-minute countdown timer which will automatically turn off the Blower when time expires. If more time is desired after the Blower turns off automatically, press the air button again to start a new 20-minute session.

The second press of the air button will change the speed of the Blower to medium speed.

The third press of the air button will change the speed of the Blower to low speed.

The fourth press of the air button will cause the Blower to change speeds from low to high in an oscillating manner ("Massage Mode").

The fifth press of the air button will turn the blower off.

20 minutes after the Blower has been turned off (either manually or automatically) the Blower will turn on again automatically for one minute. This cycle will purge out any residual moisture that is in the air system making the system fresh and ready for the next bath.

WARNING: Use and follow these instructions along with all instructions that have been provided with your whirlpool bathtub in order to fully enjoy the bathtub safely.



Ella Acrylic Walk In Bath Warranty Information

This limited lifetime warranty is extended to the first purchaser to be free from defects in workmanship and material under normal use and conditions from the date of the original purchase. This warranty is nontransferable and applies only to the original owner and to the original installation place – address only and does not extend to products previously used as display models or products that have been modified or repaired by anyone else but Ella's Bubbles. The warranty is void if the ownership or original installation location is changed (tub is relocated). This warranty relates to all fittings and components included with the tub from the manufacturer. The bathtub shell, frame, door seal, and finish are covered by limited lifetime warranty. The door is covered by a limited lifetime warranty under normal use and conditions. All supporting equipment, motors, pumps, fixtures, electronic controls, faucet, waste, overflow, and all plated finishes, are covered by a limited five (5) year warranty. This warranty is nontransferable and applies only to the original owner. The finish warranty does not apply to fading, cracking, delaminating or blistering due to excessive wear, sun fading or scouring due to cleaning. This warranty shall not apply to any failure resulting from negligence, abuse, misuse, misapplication, alteration, or modification or improper maintenance. The door warranty is valid only if the alignment of the door is not changed by applying pressure or user's weight hold user's weight to the door or by wrong installation. The door is designed to hold its own weight and not designed to hold user's weight. Should service be required for any reason of any defect or malfunction of the product during the first five years, Ella's Bubbles will ship the part to the original customer's address without charge (subject to verification of the defect or malfunction). Ella's Bubbles will not be liable for any incidental expenses or material charges in connection with removal or replacement of the product or parts. Delivery time is based on parts availability and location. Normally parts are sent out immediately. Emailed or mailed photos of defective product and description of the problem is required. defective product and description of the problem is required.

All mailing notification must be sent via certified mail to:

Ella's Bubbles, LLC.

2101 S. Carpenter Street Chicago, IL 60608

Email: info@ellasbubbles.com

The Manufacturer will not be responsible for any water damage to structures or property for any reason including but not limited to manufacturer defect or improper installation. Manufacturer will assume no responsibility for the loss of the system, inconvenience due to loss, damage to real or personal property or any other consequential damage. Manufacturer will not be liable for any incidental expenses or material charges in connection with removal or replacement of the purchased part or any part or parts of the system. This warranty shall not apply to any type of failure resulting from negligence, abuse, misuse, misapplication, improper installation, alteration or modification, chemical corrosion or improper maintenance. There will be a charge for replacement parts or replacement of the entire electrical unit of the defective unit is returned for any of the reasons listed above. Ella's Bubbles reserves the sole authority to make any type of warranties or representations concerning its products and will not be responsible for any warranties or representations made by any outside source including dealers, retailers, distributors or contractors. Ella's Bubbles does not warrant the installation of any of our products. Items include: all plumbing or electrical related connections, improper or negligent installation of the product. Alteration made of, or alterations or modifications made to the system, may cause the product or the system to malfunction. Such problems are not covered by warranty.

TO THE EXTENT PERMITTED BY LAW, ALL IMPLIED WARRANTIES INCLUDING THOSE OF MERCHANTABILITY AND FITNESS FOR A PARTICULAR PURPOSE ARE HEREBY DISCLAIMED.

Ella's Bubbles and seller hereby disclaim any liability for special, incidental, or consequential damages. Some states/provinces do not allow limitations on how long an implied warranty lasts, or the exclusion or limitation of special, incidental or consequential damages, so these limitations and exclusions may not apply to you. This warranty gives you specific legal rights. You may have other rights, which vary from state/province to state/province.

Disclaimer: Limited lifetime or 5 year parts warranty does not apply to thermostatic control valve (TCV) or other faucets. Please refer to original faucet manufacturer warranty for more information.

TCV warranty is (1) year limited warranty which does not cover cartridge malfunction due to contaminated water with calcium, iron or other found heavy particles in the water resulting in cartridge getting stuck and TCV not operating properly. The TCV must be protected with filter or mesh in the water lines which must be cleaned periodically. Ella's Bubbles offers cleaning service for the cartridges for a nominal fee: labor + shipping. The cartridge cleaning is done at Ella's Bubbles facility, or it can be done by the contractor hired by customer. The removal and cleaning of TCV should only be performed by a licensed and insured contractor or plumber following online instructions here:

TOLL FREE: 800-480-6850



INSTALLER'S INFORMATION

Name

Address

City

State

Zip

Telephone

Email

Date

Signature

Upon completing the installation of an Ella Walk In Bath, the following Warranty Activation Form must be completed, signed by both the customer and installer, and returned to Ella's Bubbles, LLC. In order for the Warranty to be activated (faxed, scanned, or emailed, or hard copy mailed).

To be initialed by the installer(s)

- ____ Tub is level in all directions and all support legs are touching the ground.
- ____ Tub is installed on a dedicated 20 Amp GFCI protected circuit using 10 gauge wire
- ____ Frame of the tub has been properly grounded.
- ____ Door Seal has been cleaned with rubbing alcohol to remove any dust or debris left over from construction.
- ____ Temperature Control Valve operated on both hot and cold settings.
- ____ Both diverters function properly.
- ____ Hand Shower functions on all settings without leaking.
- ____ All supply lines have been checked for leaks while both diverters are on.
- ____ Drains open and close properly, and the locking nut has been tightened on both stoppers.
- ____ Door seal is water tight after tub has been filled for a minimum of 20 minutes.
- ____ After running for a minimum of 20 Minutes both the Hydro and Air Pumps are functioning properly and all connections to the pumps and jets are water tight.
- ____ Chromatherapy Light and the Ozone Sterilization are working properly. (When the Ozone is on by itself it will make a light humming noise).
- ____ All drain fittings have been checked for leaks while the tub is draining.
- ____ Unit is installed with access to both plumbing and electrical connections.

OWNER'S INFORMATION

Name

Address

City

State

Zip

Telephone

Email

Date

Signature

Model: _____ Serial Number: _____

Purchase Date: _____ Purchase Price: _____

Place of Purchase: _____

Contact Name: _____ Phone Number: _____

**Copy of sales receipt must be included
with warranty activation forms.**

To activate manufacturer's warranty, please complete both pages and use one of the options below to submit.

Via mail: Ella's Bubbles, LLC.
Warranty Department
2101 S. Carpenter St., Chicago, IL 60608

Via fax: 1-312-666-3551

Via email: warranty@ellasbubbles.com