


SPECIFICATIONS

Features/Benefits

- Diverter on Tub Spout (D500019LSTC)
- Requires Gerber Treysta™ Rough-In, G00GS500 Series (Horizontal Inputs) or G00GS520 Series (Vertical Inputs), Sold Separately
- Includes Treysta™ Ceramic Disc Pressure Balance Cartridge
- 12 1/2" Shower Arm (D500019LSTC / D500519LSTC)
- Accommodates Back-to-Back Installation
- Finish-Matched Deep Wall Kit, D113001, Sold Separately
- Finish-Matched Gerber Shallow Wall Kit, GA663B11, Sold Separately



Available Color/Finishes

Color	Description
	Chrome

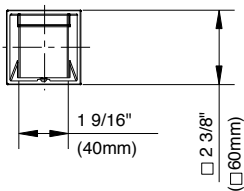
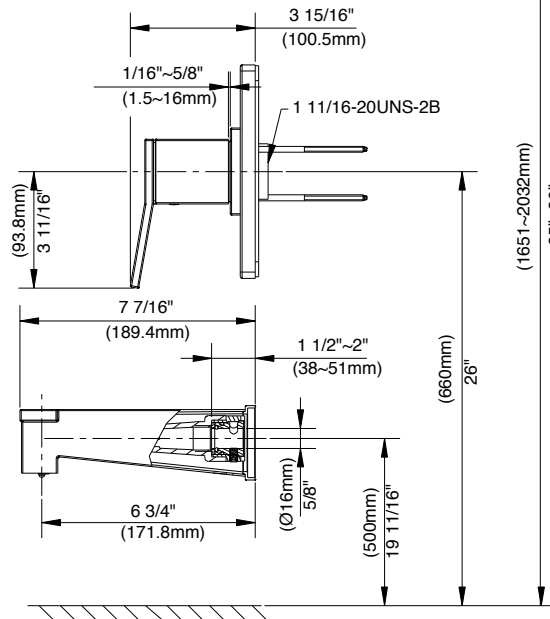
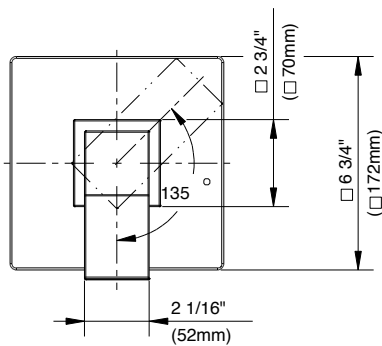
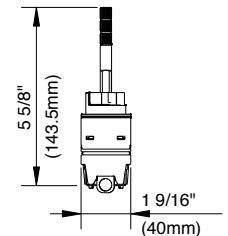
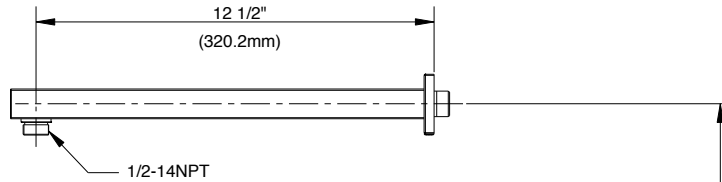
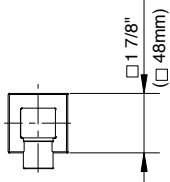
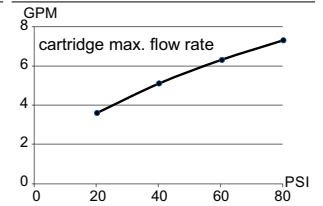
Please see danze.com or current price list for available finishes.
Finish is defined by additional suffix.

Standards & Certifications



(Lever Handle)

Flow Rate



Submittal Information:

Name: _____
Location: _____

Contractor: _____
Contact #: _____