


SPECIFICATIONS

Features/Benefits

- 1.2 gpm (4.5 L/min) Max Flow @ 60 psi
- Features a Clear, Non-Splash Laminar Water Stream
- 5 5/16" Spout Height, 6 9/16" Spout Reach
- Ceramic Disc Cartridge
- Includes Metal Touch Down Drain Assembly
- Single Hole Mount
- Optional Deck Plate, DA607568, Sold Separately for 3-Hole Applications

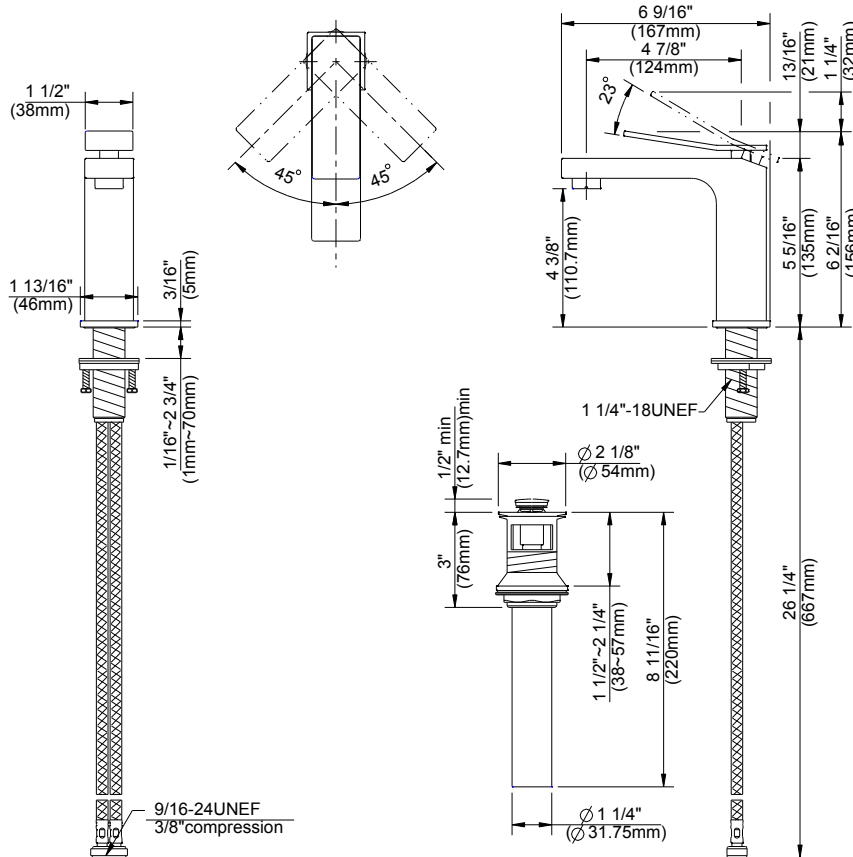


Available Color/Finishes

Color	Description
	Chrome

Please see danze.com or current price list for available finishes.
Finish is defined by additional suffix.

Standards & Certifications



Submittal Information:

Name: _____
Location: _____

Contractor: _____
Contact #: _____