

## Front Entry

**Actual Size:** 32x40x42

**Seat Width:** 24 inches

**Shipping Size:** 34x43x50

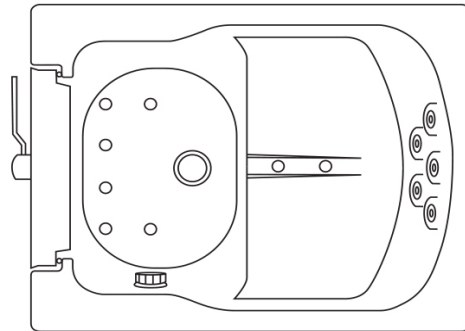
**Shipping Weight:** 280 lbs.

**Net Weight:** 200 lbs.

**Water Capacity:** 70 gal.

**Occupied:** 25-55 gal.

**Drainage Time:** +/- 140 sec at ideal home plumbing conditions (occupied)



### Included Features

1. Acrylic Tub Shell:
  - High Gloss White Finish
  - Fiberglass Gelcoat Reinforced
2. Stainless Steel Frame with Adjustable Leveling Legs
3. Plastic composite tempered glass outward swing door with a 3 latch gear and shaft door mechanism
4. Two (2) side panels

### Floor Drains

1. One (1) 2" PVC T-type two (2) outlet drain with endcap; one (1) overflow and cable operated opener with extended handle for easier grip in chrome finish

### Jetting Options

1. Hydro Massage System
  - Hydro Massage Pump 5AMP 600W
  - Hydro massage intensity dial air control
  - In-line water heater 5.5AMP 650W
  - Ozone Sterilization
  - 9 jets
  - On/Off push control
2. Air Massage System
  - Air Massage Pump 4.5AMP 486W
  - 3 Speed Pump
  - Autopurge (Activates 20 minutes after pump shutdown)
  - 14 jets
  - On/Off push control
3. MicroBubble Therapy System
  - 1HP Pump 10AMP 1200W
  - Pressure Vessel
  - On/Off Push Control

Note: LED Chromatherapy Light .04AMP with On/Off push control comes included with the following packages: Dual (hydro + air), Hydro + Micro.

### Available Packages

1. Dual Jetting ( Air + Hydro) + LED Chromatherapy
2. Hydro Massage (No LED)
3. Hydro Massage + Microbubble + LED Chromatherapy
4. Microbubble Therapy (No LED)
5. Soaking (No LED)

### Optional Features

1. Heated Seat and Backrest 4AMP 470W
2. Aromatherapy
3. Digital Controller

### Faucet

Two-Piece Fast Fill Faucet Set

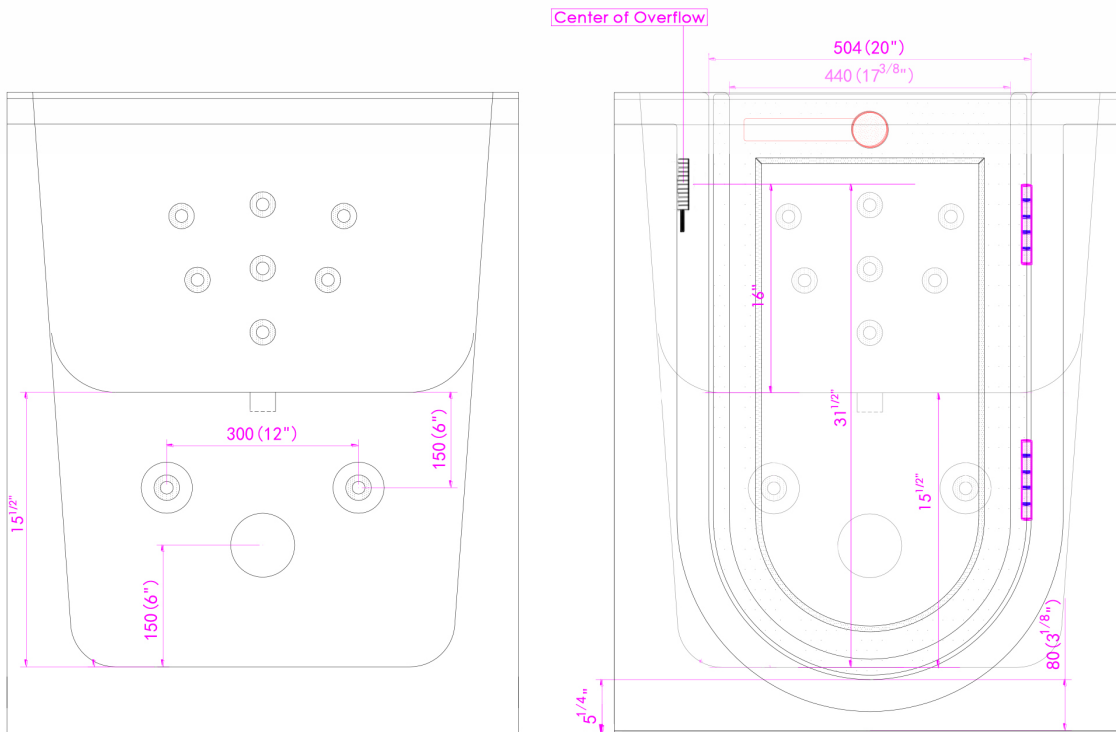
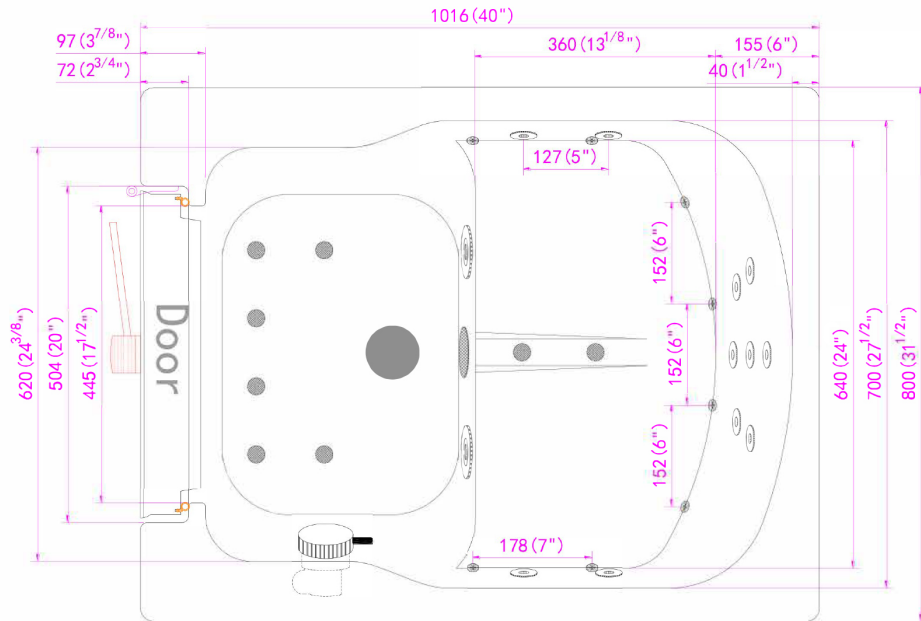
- Up to 16 GPM @ 60 PSI at ideal in home plumbing conditions
- Two (2) 5' Supply lines with 3/4" connectors
- Pull out, hand held, chrome plated hand shower with 5 ft. retractable stainless steel braided hose

### Electrical Requirements:

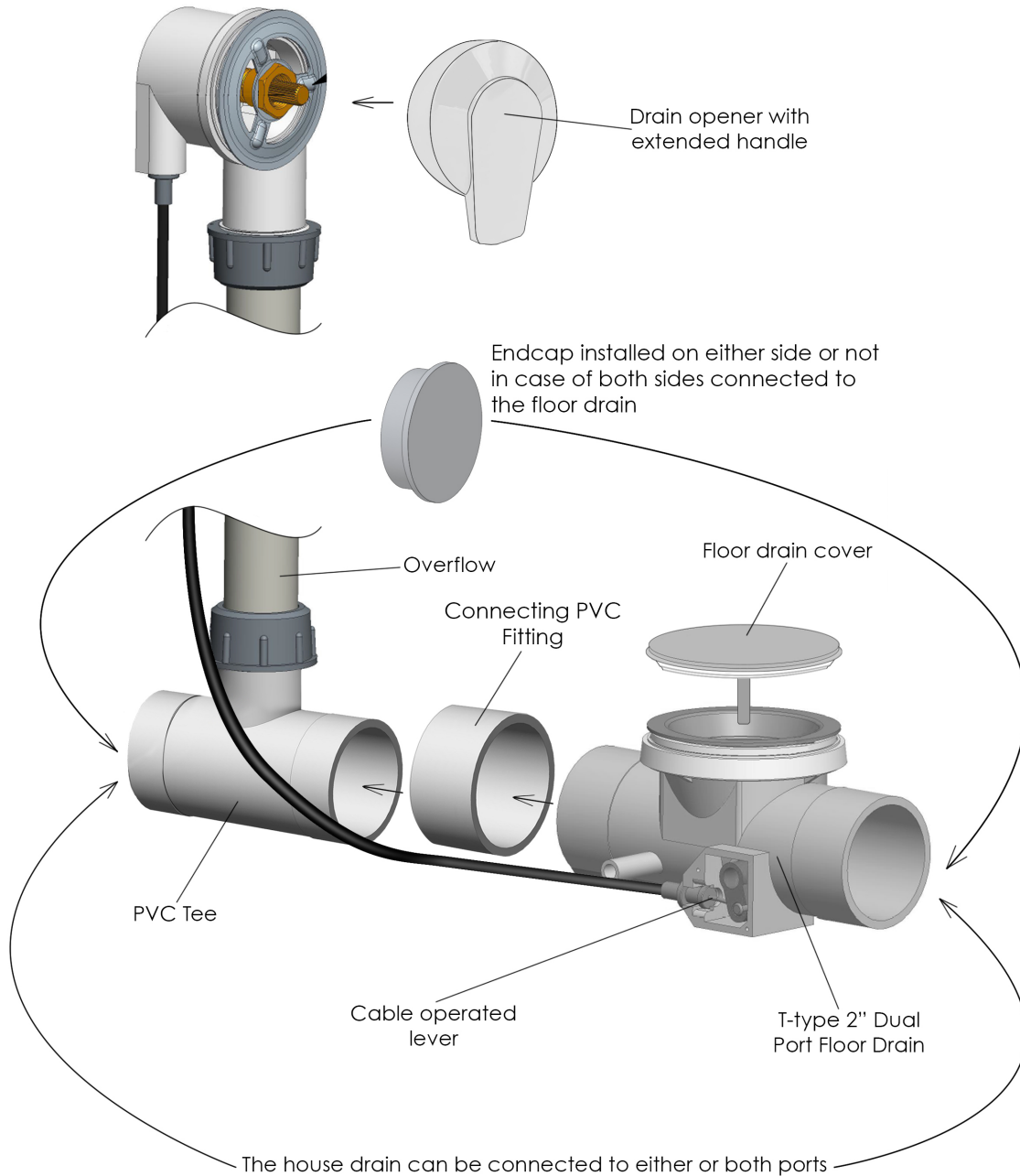
Dedicated GFCI protected electrical line/s required.

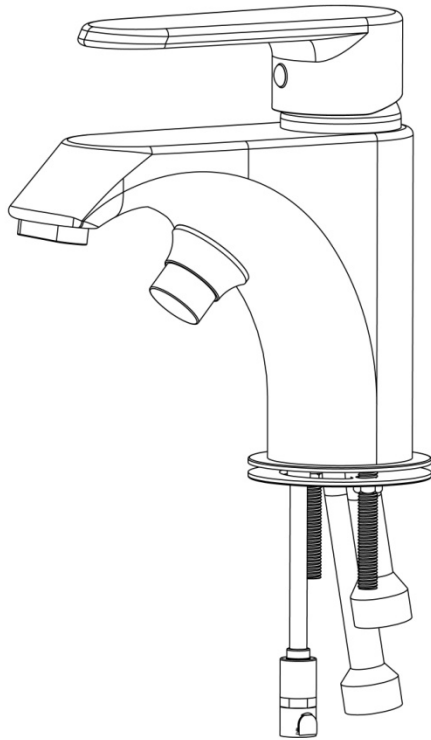
### Warranty

- Lifetime limited\* warranty on shell, frame, door and parts to original purchaser
- Labor or installation is not covered – please refer to Ella warranty certificate
- Thermostatic control valve faucet is covered for 1 year due to water quality
- Non-Ella brand faucets covered under manufacturers original warranty



## Dual Drain - two (2) independent floor drains





**Material: Brass in Chrome Finish**

G.W: 7.75 kg / 17 lbs.

**NOTE:** THIS FAUCET IS DESIGNED TO BE INSTALLED THRU:

- 2-1/2" DIA. HOLE FOR FAUCET
- 1/3" DIA. HOLE FOR MOUNTING RODS
- 7/8" DIA. HOLE FOR HAND SHOWER

**OPERATION**

- Pivot action lever style handle
- Temperature controlled through 180° degree arc of handle travel

**DESCRIPTION**

- Metal construction single lever high flow bath valve
- 3/4" IPS connections
- Includes hand shower with diverter button

**FLOW**

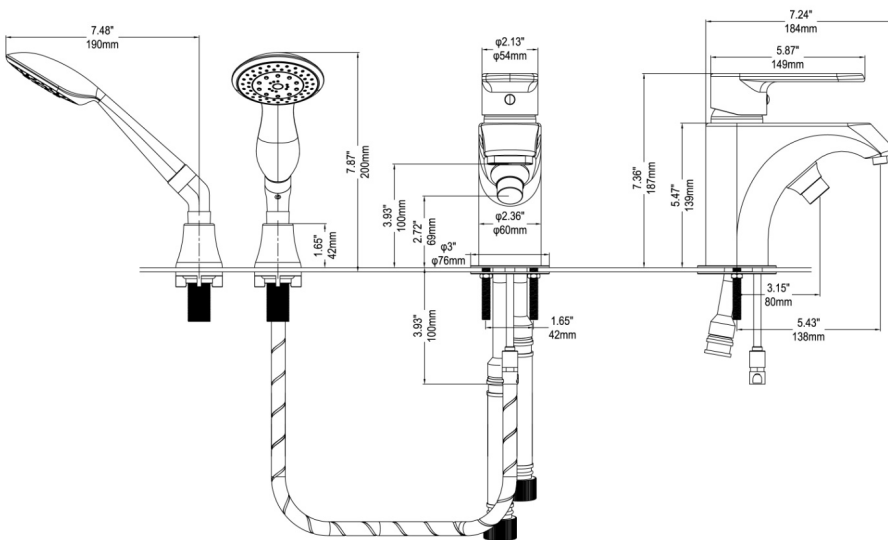
- Hand shower is limited to 1.9 gpm(7.5L/min)
- Faucet fill rate designed for 18gpm (68.1L/min) flow.

**CARTRIDGE**

- 40mm high flow cartridge design
- Nonmetallic/nonferrous and stainless steel material

**STANDARDS**

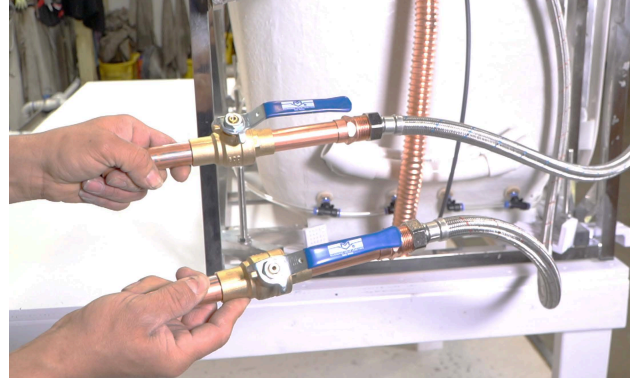
- Third party certified to meet: CSA B-125.1, ASME A112.18.1, ICC 117.1 and all applicable requirements referenced therein
- Certified to ANSI/NSF 61/9
- ADA for lever handle
- IAPMO R&T UPC certified



Two 3/4" connector water supply lines included with Ella Fast Fill Faucets.



Connect to Shut  
Off Valves  
(not included)



All electrical  
fixtures connect  
to a dedicated  
GFCI protected  
outlet.



T-Type four (4) 2" drain ports  
allow for the drain pipe to be  
installed in either direction.

Use drain cap to  
close unused  
drain port.

