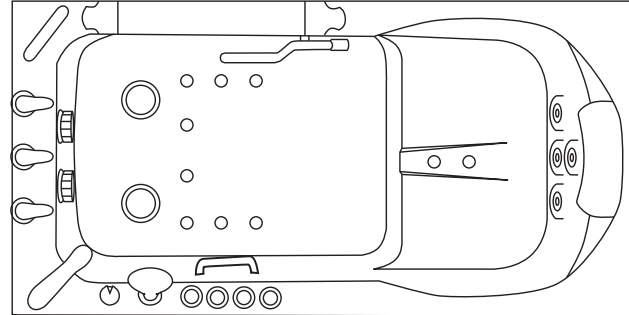


## Deluxe

**Actual Size:** 29.5x55x38  
**Seat Width:** 19.75 inches  
**Shipping Size:** 32x58x50  
**Shipping Weight:** 295 lbs.  
**Net Weight:** 215 lbs.  
**Water Capacity:** 90 gal.  
**Occupied:** 55-75 gal.  
**Drainage Time:** +/- 80 sec at ideal home plumbing conditions (occupied)



### Included Features

- Acrylic Tub Shell:
  - Gloss White Finish
  - Fiberglass Gelcoat Reinforced
- Stainless Steel Frame with Adjustable Leveling Legs
- Inward swing removable brushed stainless steel door with frosted finish tempered glass
- Two (2) front and one (1) end reversible, removable access panel
- Stainless steel chrome finish U-shape deck & wall mount grab bars
- Reversible Extension panel, filler for 60" alcove installations
- Removable swivel tray in white matte finish

### Floor Drains - 2 Options

- Two (2) 2" PVC T-type two (2) outlet drain with Two (2) endcaps included. Two (2) overflows and stainless steel cable operated openers with extended handles for an easier grip in chrome finish
- Two (2) 2" Brass threaded floor drains with copper overflow and cable operated opener with extended handle.

### Jetting Options

- Hydro Massage System
  - Hydro Massage Pump 5AMP 600W
  - Hydro massage intensity dial air control In-line water heater 5.5AMP 650W
  - Ozone Sterilization
  - 12 jets
  - On/Off push control
- Air Massage System
  - Air Massage Pump 4.5AMP 486W
  - 3 Speed Pump
  - Autopurge (Activates 20 minutes after pump shutdown)
  - 10 jets
  - On/Off push control
- MicroBubble Therapy System
  - 1HP Pump 10AMP 1200W
  - Pressure Vessel
  - On/Off Push Control

Note: LED Chromatherapy Light .04AMP with On/Off push control comes included with the following packages: Dual (hydro + air), Hydro + Micro.

### Available Packages

- Dual Jetting ( Air + Hydro) + LED Chromatherapy
- Hydro Massage (No LED)
- Hydro Massage + Microbubble + LED Chromatherapy
- Microbubble Therapy (No LED)
- Soaking (No LED)

### Optional Features

- Heated Seat and Backrest 4AMP 470W
- Aromatherapy
- Digital Controller

### Faucet Options

- Five-Piece Fast Fill Faucet Set
  - Up to 18 GPM @ 60 PSI at ideal in home plumbing conditions
  - Two (2) 5' Supply lines with 3/4" connectors
  - Pull out, hand held, chrome plated hand shower with 5 ft. retractable stainless steel braided hose
- Two-Piece Fast Fill Faucet Set
  - Up to 16 GPM @ 60 PSI at ideal in home plumbing conditions
  - Two (2) 5' Supply lines with 3/4" connectors
  - Pull out, hand held, chrome plated hand shower with 5 ft. retractable stainless steel braided hose

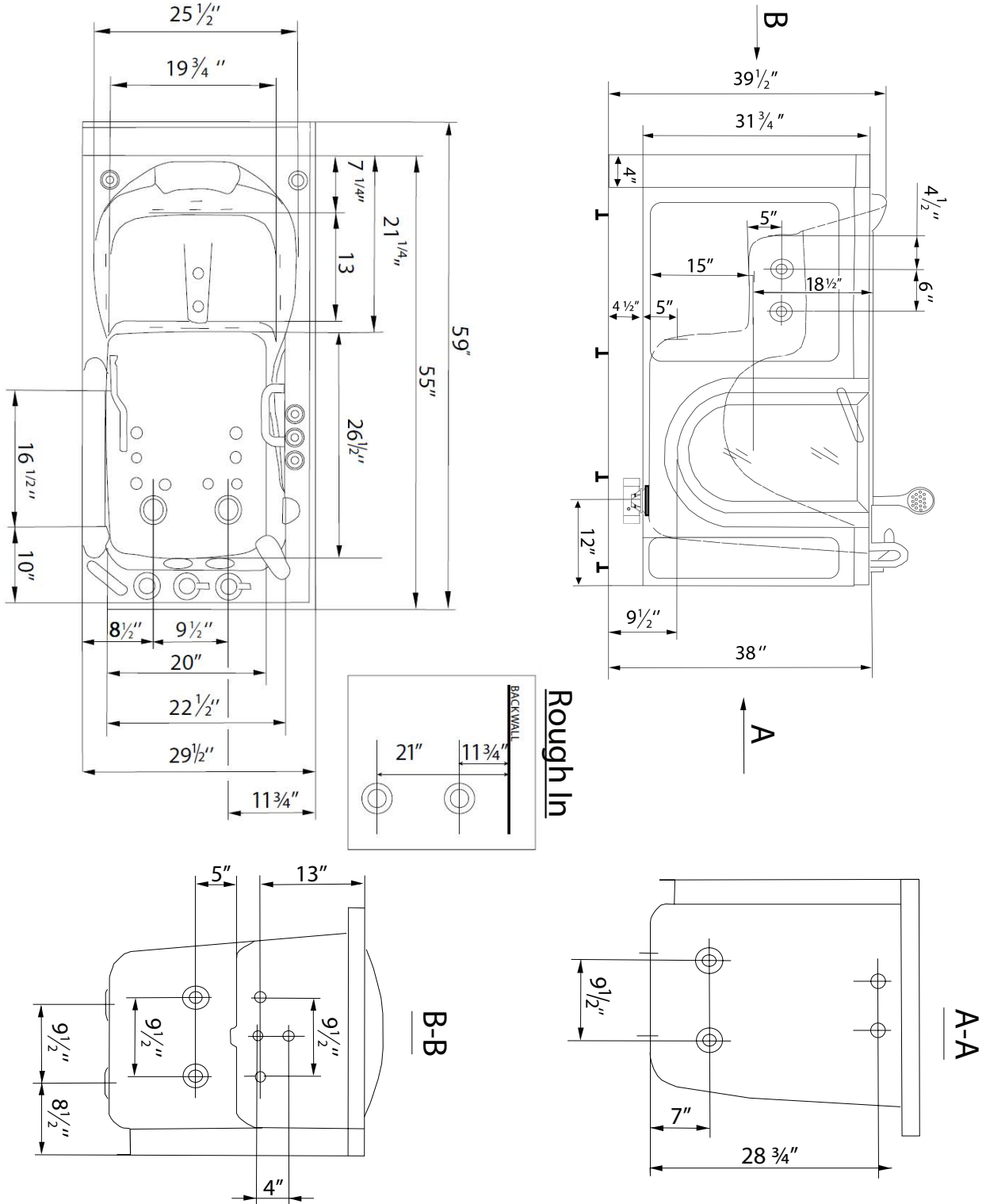
### Electrical Requirements:

Dedicated GFCI protected electrical line/s required.

### Warranty

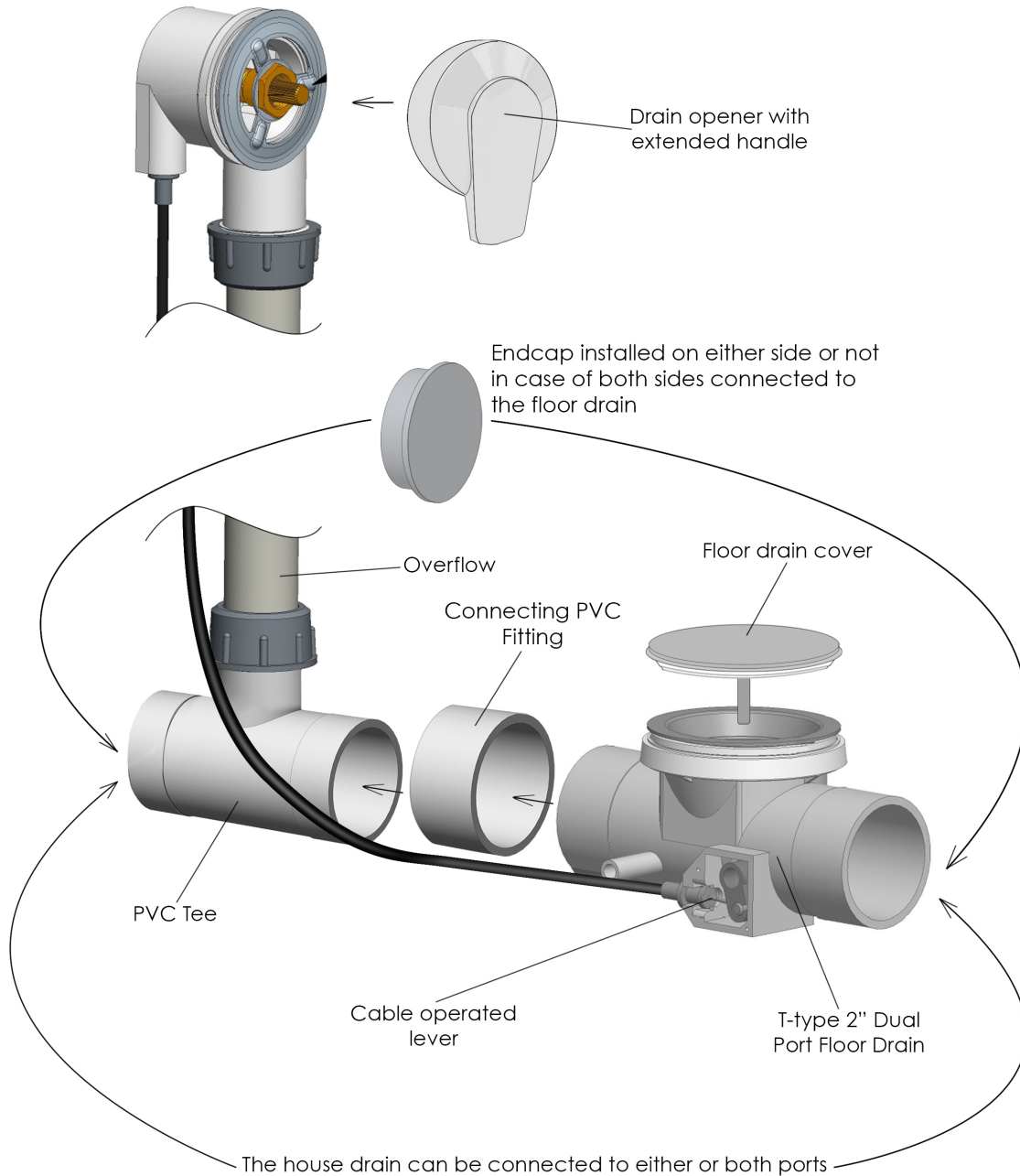
- Lifetime limited\* warranty on shell, frame, door and parts to original purchaser
- Labor or installation is not covered – please refer to Ella warranty certificate
- Thermostatic control valve faucet is covered for 1 year due to water quality
- Non-Ella brand faucets covered under manufacturers original warranty

Deluxe - Inward Swing Door Walk In Bathtub Drawing  
with 2" T Type Dual Port Drain





## Dual Drain - two (2) independent floor drains



**DESCRIPTION**

- Spout - brass chrome finish
- Diverter 3/4" - brass chrome finish
- Hot and cold 3/4" valve - brass chrome finish
- Two (2) water supply lines with 3/4" connectors - 5' long, stainless steel braided
- Handheld shower mixer - PVC chrome finish
- Pull out hand mixer hose - stainless steel braided in chrome finish

**Flow**

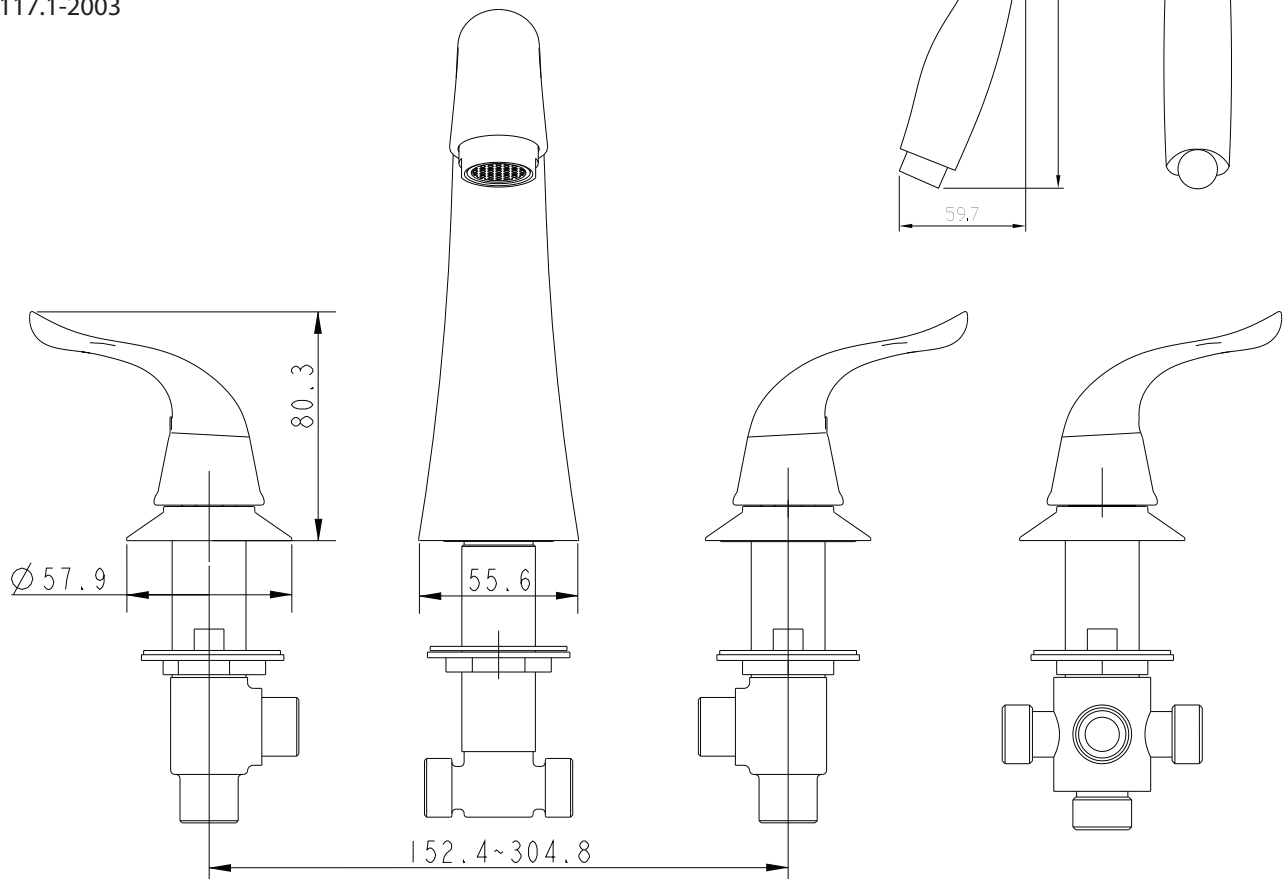
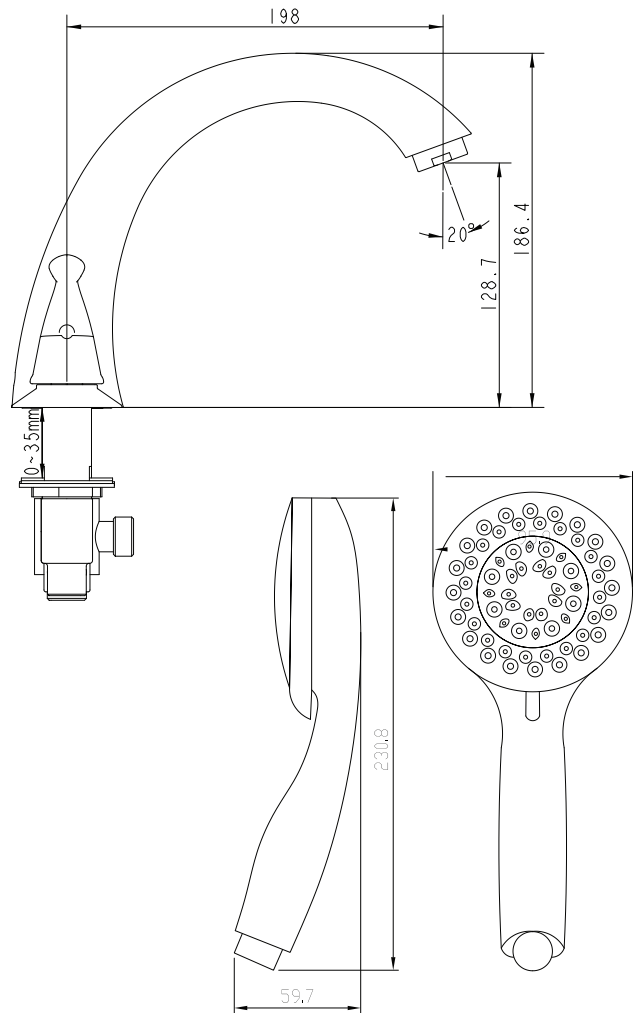
- Faucet - up to 18GPM
- Handheld shower mixer - up to 2GPM

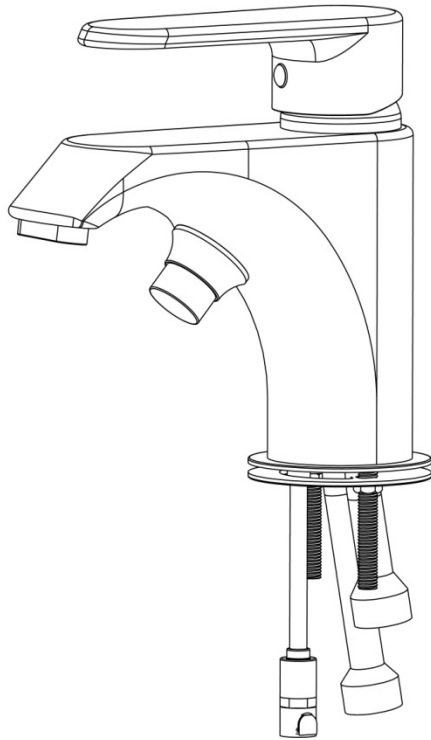
**Cartridge**

- 40mm and 3/4" outlet high flow cartridge design
- Nonmetallic, nonferrous and stainless-steel material

**Standards**

Certified to meet  
ASME A112.18.1-2012/CSA B125.1-12 ICC/  
ANSI A117.1-2003





**DESCRIPTION**

- Spout with diverter – brass chrome finish
- Single lever high flow valve - brass chrome finish
- Includes 5 option adjustable hand shower mixer - PVC chrome finish
- Pull out hand mixer hose stainless steel braided in chrome finish
- Two (2) water supply lines with 3/4" IPS connectors, 5' long - stainless steel braided

G.W: 7.75 kg / 17 lbs.

**NOTE:** THIS FAUCET IS DESIGNED TO BE INSTALLED THRU:

- 2-1/2" DIA. HOLE FOR FAUCET
- 1/3" DIA. HOLE FOR MOUNTING RODS
- 7/8" DIA. HOLE FOR HAND SHOWER

**OPERATION**

- Pivot action lever style handle
- Temperature controlled through 180° degree arc of handle travel

**FLOW**

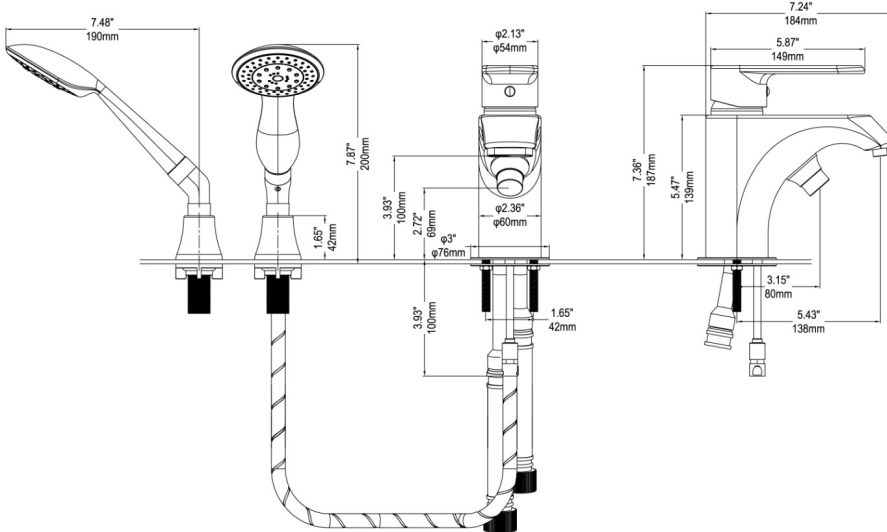
- Faucet – up to 18GPM
- Handheld shower mixer – up to 2GPM

**CARTRIDGE**

- 40mm high flow cartridge design
- Nonmetallic/nonferrous and stainless steel material

**STANDARDS**

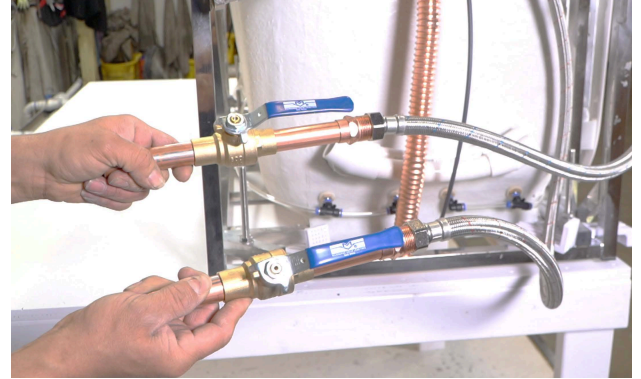
- Third party certified to meet: CSA B-125.1, ASME A112.18.1, ICC 117.1 and all applicable requirements referenced therein
- Certified to ANSI/NSF 61/9
- ADA for lever handle
- IAPMO R&T UPC certified



Two 3/4" connector water supply lines included with Ella Fast Fill Faucets.



Connect to Shut  
Off Valves  
(not included)



All electrical  
fixtures connect  
to a dedicated  
GFCI protected  
outlet.



T-Type four (4) 2" drain ports  
allow for the drain pipe to be  
installed in either direction.

Use drain cap to  
close unused  
drain port.

