

**PRODUCT SPECIFICATIONS**

Elkay Pursuit Stainless Steel 23-1/2" x 18-1/4" x 10", Single Bowl Undermount Laundry Sink. Sink is manufactured from 18 gauge 316L Stainless Steel with a Lustertone finish, Rear Center drain placement, and Sides and Bottom pads.

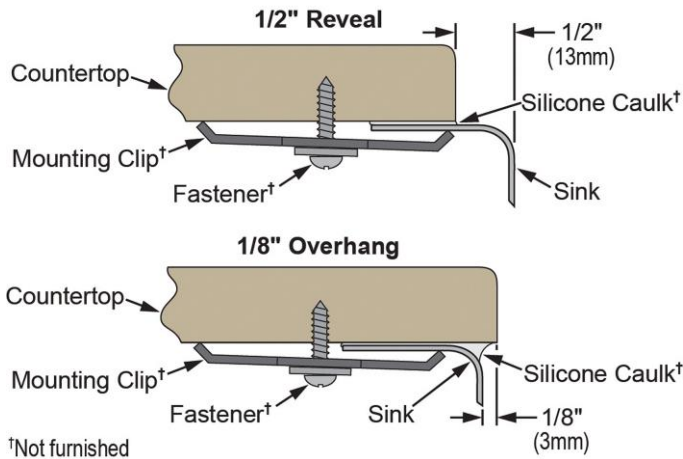


<b>Installation Type:</b>	Undermount
<b>Material:</b>	316L Stainless Steel
<b>Finish:</b>	Lustertone
<b>Gauge:</b>	18
<b>Sound Deadening:</b>	Sides and Bottom pads
<b>Number of Bowls:</b>	1
<b>Sink Dimensions:</b>	23-1/2" x 18-1/4" x 10"
<b>Bowl 1 Dimensions:</b>	21" x 15-3/4" x 10"
<b>Drain Size:</b>	3-1/2" (89mm)
<b>Drain Location:</b>	Rear Center
<b>Minimum Cabinet Size:</b>	27"
<b>Mounting Hardware:</b>	Undermount brackets sold separately
<b>Template Included:</b>	Yes
<b>Cutout Template #:</b>	<a href="#">1000001400</a>

Template is available for download at [elkay.com](#)

**Special Note:** Made with Type 316 Stainless Steel

**Installation Profile:**



†Not furnished

Designed to affix to the underside of any solid surface countertop.

AMERICAN PRIDE. A LIFETIME TRADITION.

Like your family, the Elkay family has values and traditions that endure. For almost a century, Elkay has been a family-owned and operated company, providing thousands of jobs that support our families and communities.

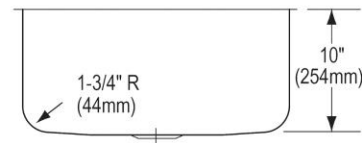
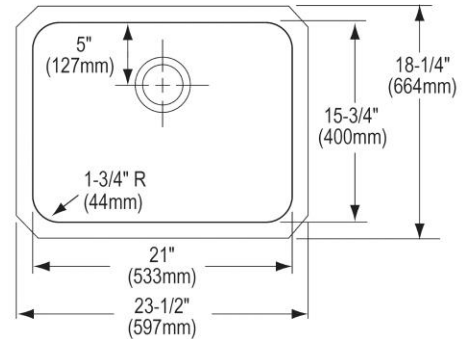


**Product Compliance:** ASME A112.19.3/CSA B45.4  
BUY AMERICAN ACT



Sinks are listed by IAPMO<sup>®</sup> as meeting the applicable requirements of the Uniform Plumbing Code<sup>®</sup>, International Plumbing Code<sup>®</sup>, and c<sup>®</sup> National Plumbing Code of Canada.

[Clean and Care Manual \(PDF\)](#)  
[Installation Instructions \(PDF\)](#)  
[Limited Lifetime Warranty \(PDF\)](#)



PART: \_\_\_\_\_ QTY: \_\_\_\_\_

PROJECT: \_\_\_\_\_

CONTACT: \_\_\_\_\_

DATE: \_\_\_\_\_

NOTES: \_\_\_\_\_

APPROVAL: \_\_\_\_\_

In keeping with our policy of continuing product improvement, Elkay reserves the right to change product specifications without notice. Please visit [elkay.com](#) for the most current version of Elkay product specification sheets. This specification describes an Elkay product with design, quality, and functional benefits to the user. When making a comparison of other producers' offerings, be certain these features are not overlooked.

**OPTIONAL ACCESSORIES**

<b>Bottom Grid:</b>	LKWOBG2115SS
<b>Cutting Board:</b>	CB1516*
<b>Drain:</b>	LK335, LK372
<b>Hardware:</b>	LKUCLIP8
<b>Rinsing Basket:</b>	LKWRB2115SS
<b>Sinkmate:</b>	LKSMHSL
* 1/2" sink reveal required for proper fit.	

*In keeping with our policy of continuing product improvement, Elkay reserves the right to change product specifications without notice. Please visit [elkay.com](http://elkay.com) for the most current version of Elkay product specification sheets. This specification describes an Elkay product with design, quality, and functional benefits to the user. When making a comparison of other producers' offerings, be certain these features are not overlooked.*