

Petite

Actual Size: 27.50 x 52.25 X 38

Seat Width: 19.75 inches

Shipping Size: 30 x 54 x 50

Shipping Weight: 260 lbs.

Net Weight: 200 lbs.

Unoccupied Water Capacity: 70 gal.

Occupied Water Capacity: 30-50 gal.

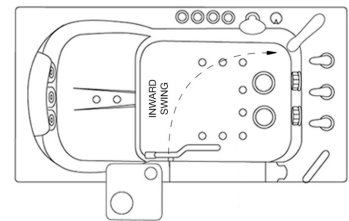
Drainage Time: +/- 80 sec at ideal home plumbing conditions

Included Features

- Acrylic Tub Shell
 - Gloss white finish
 - Fiberglass gelcoat reinforced
- Stainless steel frame with adjustable leveling Legs
- Inward swinging removable brushed stainless steel door with a frosted tempered glass
- Two front and one end reversible, removable access panel
- Stainless steel chrome finish U-shape deck & wall mount grab bars
- Reversible extension panel, filler for 60" alcove installations
- Removable swivel tray in a white matte finish
- Two (2) 2" PVC T-type two outlet drains with two (2) endcaps included. Two (2) overflows and stainless steel cable operated openers with extended handles for an easier grip in a chrome finish.

Jetting & Therapy Options

- Dual Jetting (Air + Hydro) + LED Light
- Dual Jetting (Air + Hydro) + Microbubble + LED Chromatherapy
- Hydro + Hydro Independent Foot Massage
- Hydro Massage (No LED)
- Hydro Massage + Microbubble + LED Light
- Microbubble Therapy (No LED Light Included)
- Soaking Option Only



Jetting Options

Hydro Massage

- Hydro Massage Pump 5AMP 600W
- Hydro Massage Intensity Dial Control
- In-line Water Heater 5.5AMP 650W
- Ozone Sterilization
- 14 jets
- On/Off Push Control

Hydro + Hydro Foot Massage

- Hydro + Hydro Massage Pumps (2) 5AMP 600W
- 2 Hydro Massage Intensity Dial Controls
- Ozone Sterilization
- 16 jets
- On/Off push control
- In-Line Water Heater 5.5AMP 650W

Air Massage

- Air Massage Pump 4.5AMP 486W
- 3 Speed Pump
- Auto-purge (Activates 20 minutes after pump shutdown)
- 16 jets
- On/Off push control

Microbubble Therapy

- Air Pressure Pump 10AMP 1200W
- Pressure Tank
- On/Off push control

Faucet Options

1. Five-Piece Fast Fill Faucet

- Up to 18 GPM @ 60 PSI an ideal in-home plumbing conditions
- Two 5' water supply lines with 3/4" connectors
- Pull out, hand held, chrome plated hand shower with a 5' ft. retractable stainless steel braided hose

2. Two-Piece Fast Fill Faucet

- Up to 16 GPM @ 60 PSI an ideal in-home plumbing conditions
- Two 5' water supply lines with 3/4" connectors
- Pull out, hand held, chrome plated hand shower with a 5' ft. retractable stainless steel braided hose

Optional Features

- Heated Seat and Backrest 4AMP 470W
- Digital Controller

Warranty

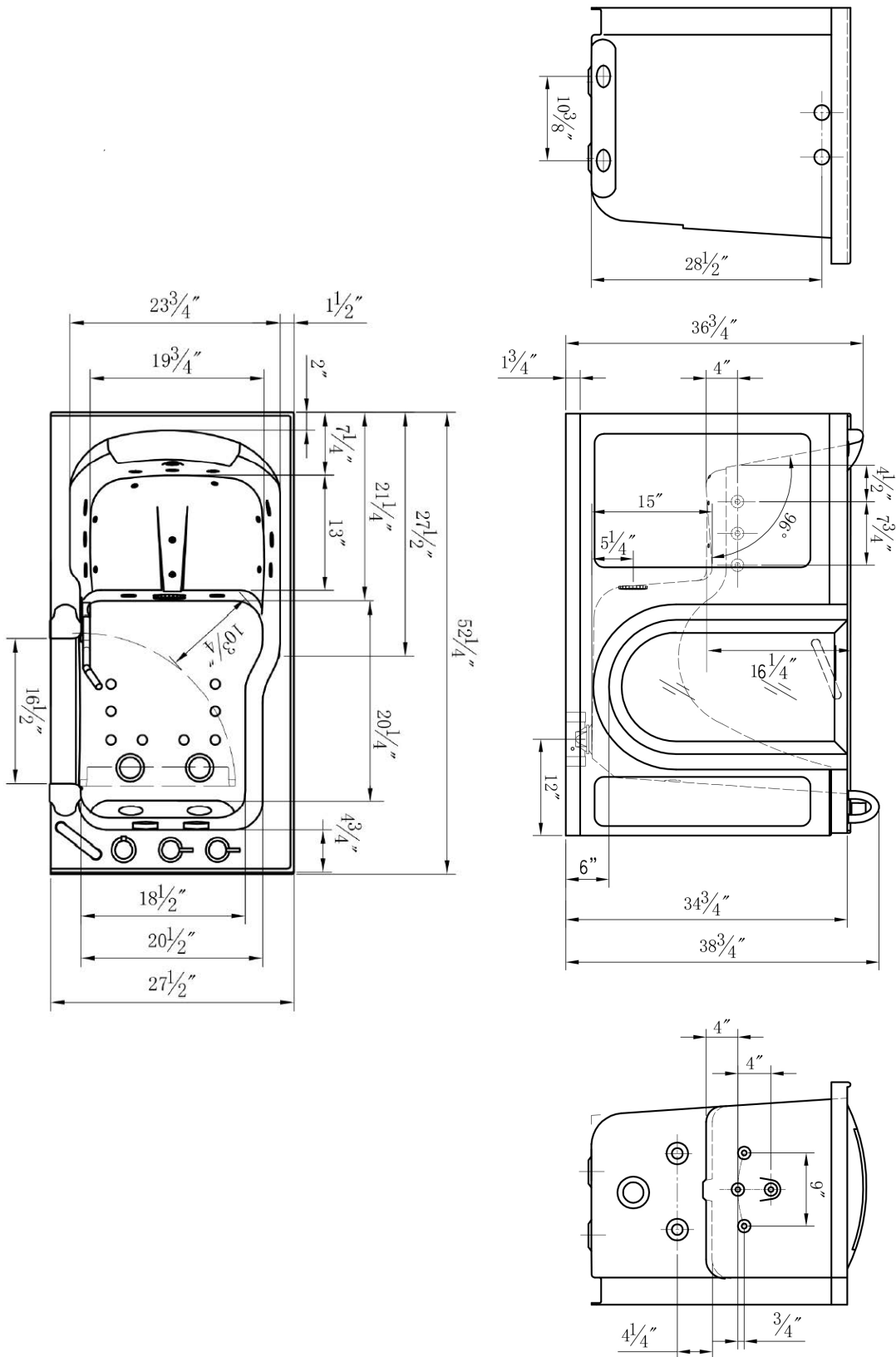
- Lifetime limited* warranty on shell, frame, door, and parts to original purchaser/Address
- Labor or installation is not covered - please refer to the Ella warranty certificate
- Thermostatic control valve faucet is covered for 1 year due to water quality
- Non Ella brand faucets covered under manufacturers original warranty

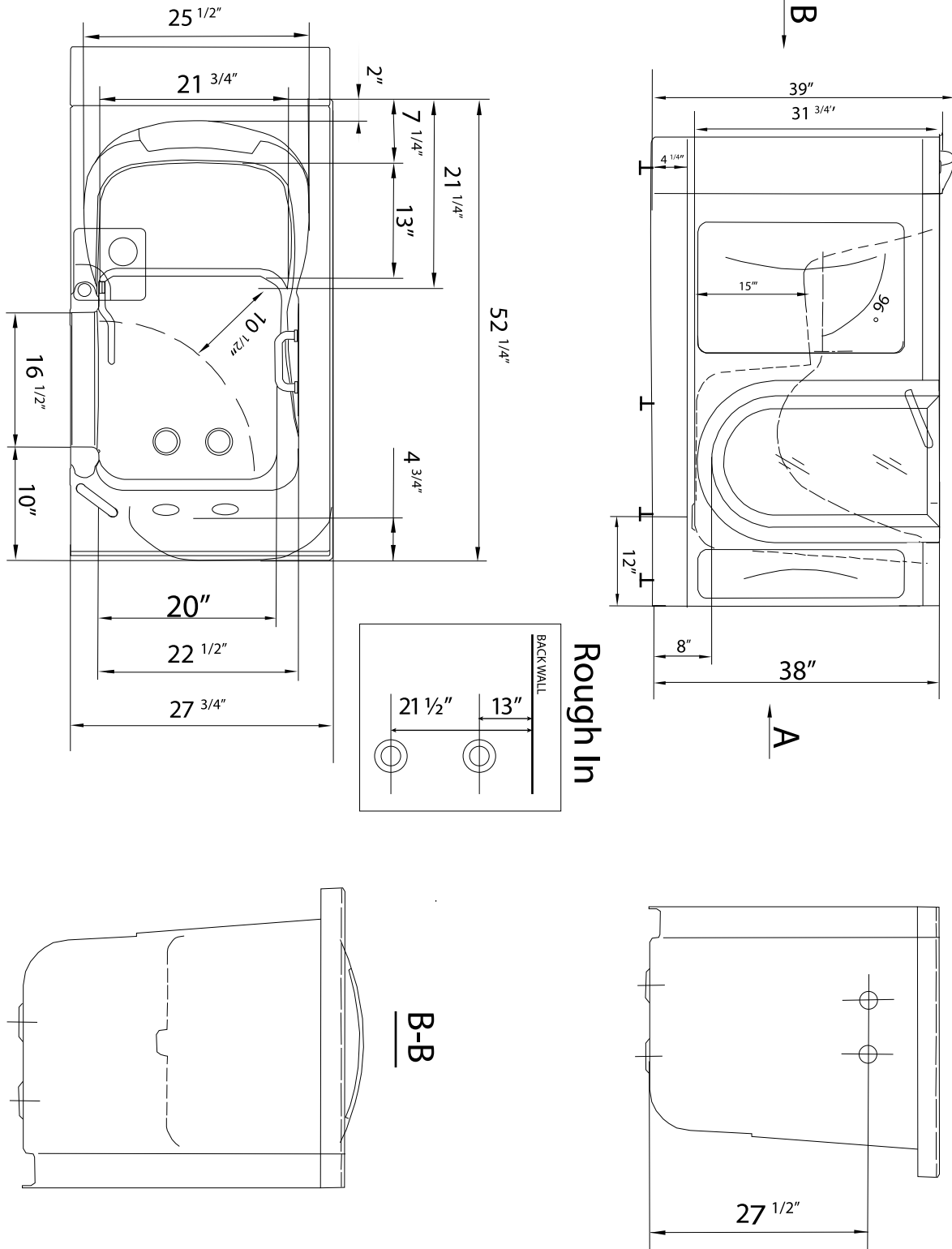
Electrical Requirements

Dedicated GFCI protected electrical line(s) required

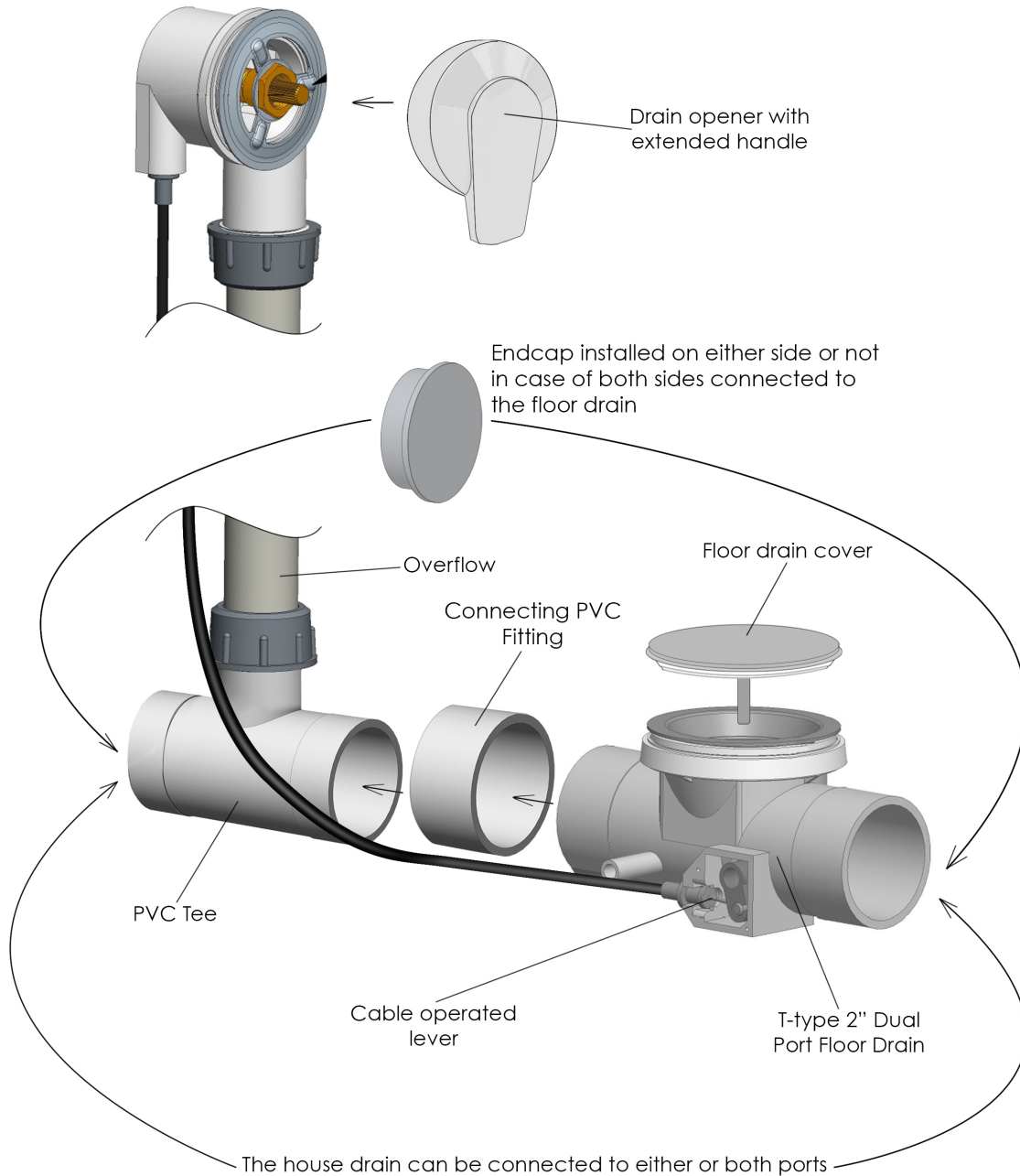
Note: LED light .04AMP with On/Off push control comes included with the following packages: Dual (hydro + air), Hydro + Micro.

Petite - Inward Swing Door Walk In Bathtub Drawing with 2" T Type Dual Port Drain (Option 1)





Dual Drain - two (2) independent floor drains



DESCRIPTION

- Spout - brass chrome finish
- Diverter 3/4" - brass chrome finish
- Hot and cold 3/4" valve - brass chrome finish
- Two (2) water supply lines with 3/4" connectors - 5' long, stainless steel braided
- Handheld shower mixer - PVC chrome finish
- Pull out hand mixer hose - stainless steel braided in chrome finish

Flow

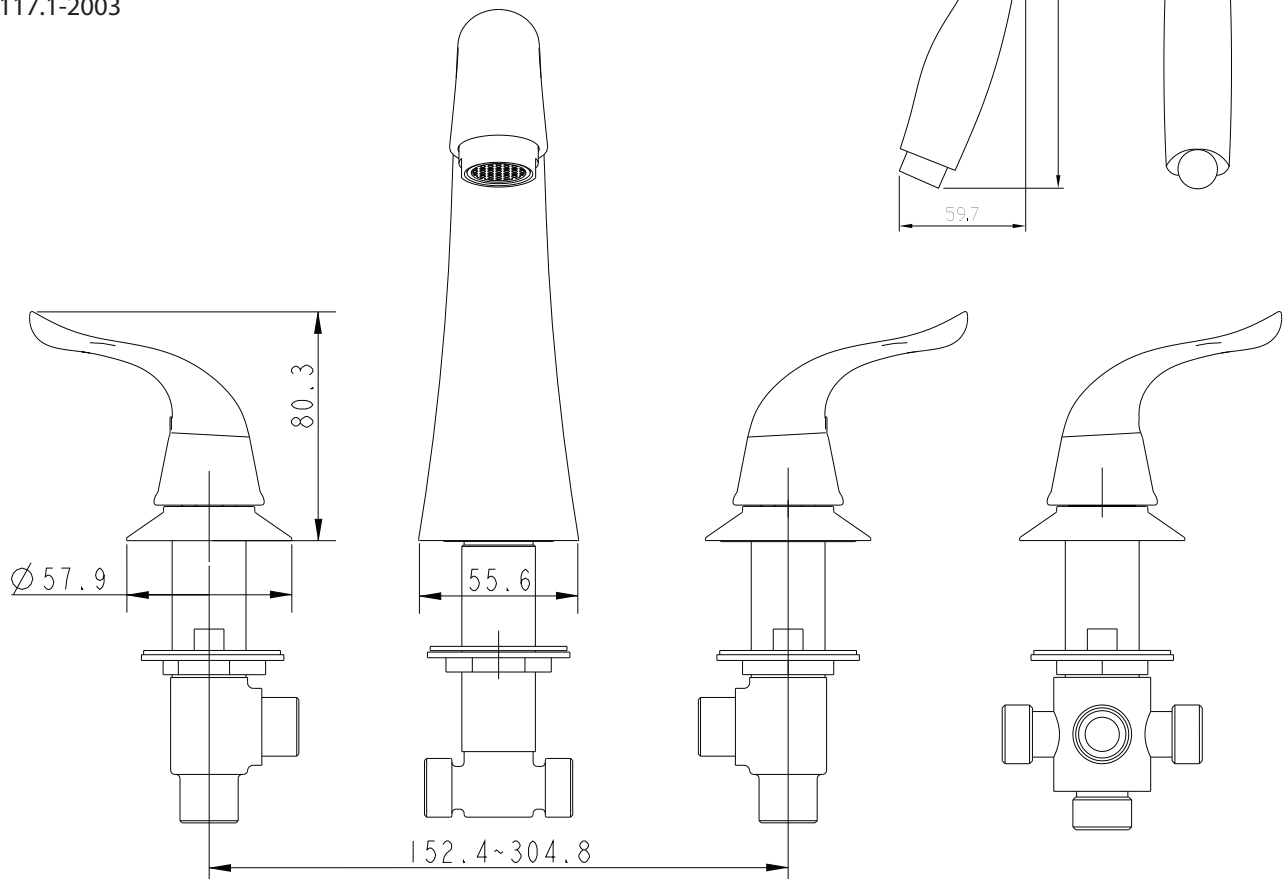
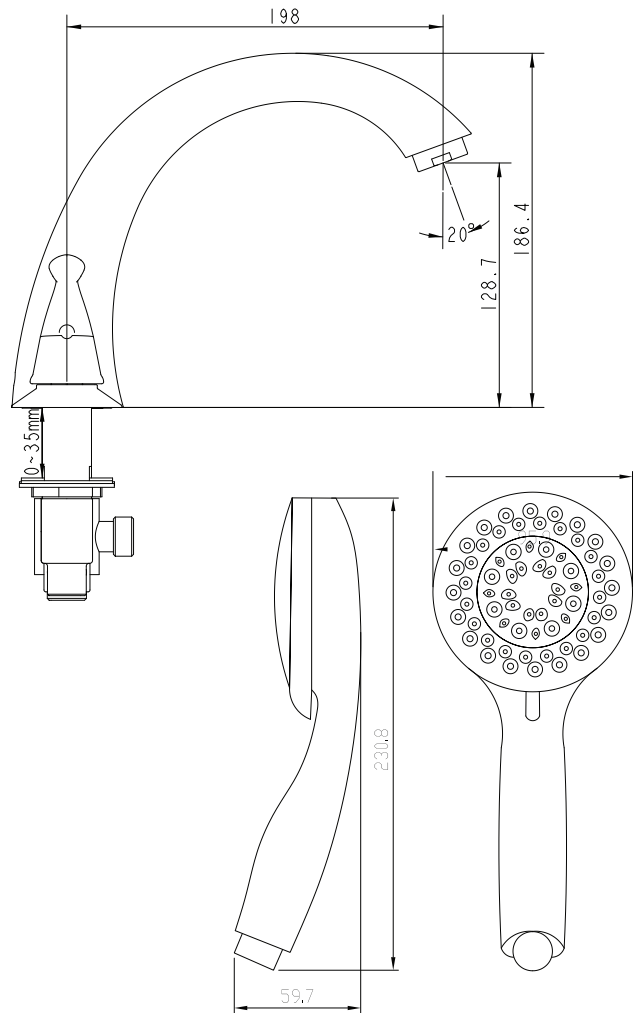
- Faucet - up to 18GPM
- Handheld shower mixer - up to 2GPM

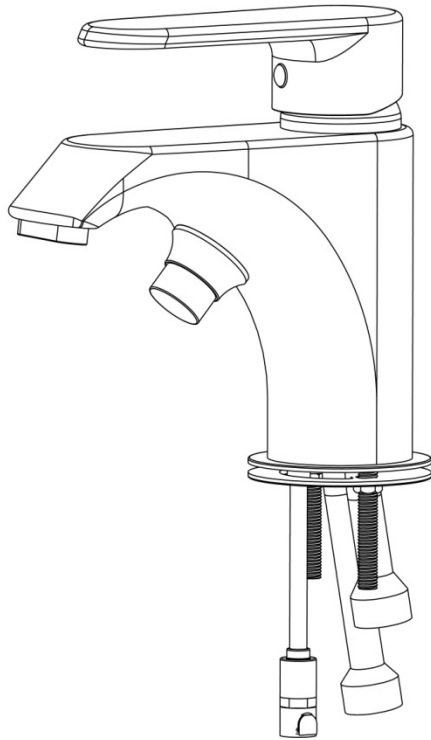
Cartridge

- 40mm and 3/4" outlet high flow cartridge design
- Nonmetallic, nonferrous and stainless-steel material

Standards

Certified to meet
ASME A112.18.1-2012/CSA B125.1-12 ICC/
ANSI A117.1-2003





DESCRIPTION

- Spout with diverter – brass chrome finish
- Single lever high flow valve - brass chrome finish
- Includes 5 option adjustable hand shower mixer - PVC chrome finish
- Pull out hand mixer hose stainless steel braided in chrome finish
- Two (2) water supply lines with 3/4" IPS connectors, 5' long - stainless steel braided

G.W: 7.75 kg / 17 lbs.

NOTE: THIS FAUCET IS DESIGNED TO BE INSTALLED THRU:

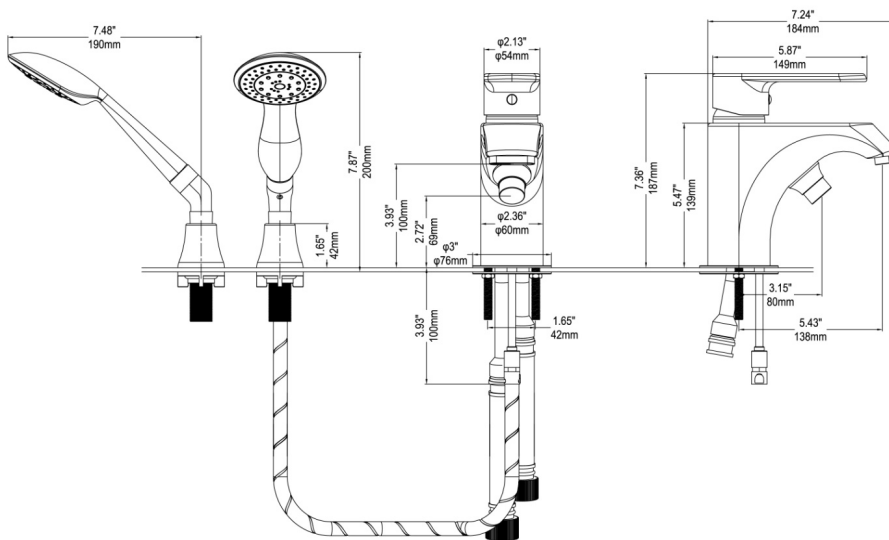
- 2-1/2" DIA. HOLE FOR FAUCET
- 1/3" DIA. HOLE FOR MOUNTING RODS
- 7/8" DIA. HOLE FOR HAND SHOWER

OPERATION

- Pivot action lever style handle
- Temperature controlled through 180° degree arc of handle travel

FLOW

- Faucet – up to 18GPM
- Handheld shower mixer – up to 2GPM



CARTRIDGE

- 40mm high flow cartridge design
- Nonmetallic/nonferrous and stainless steel material

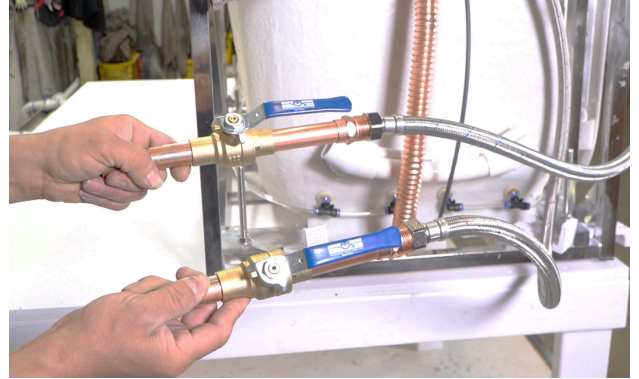
STANDARDS

- Third party certified to meet: CSA B-125.1, ASME A112.18.1, ICC 117.1 and all applicable requirements referenced therein
- Certified to ANSI/NSF 61/9
- ADA for lever handle
- IAPMO R&T UPC certified

Two 3/4" connector water supply lines included with Ella Fast Fill Faucets.



Connect to Shut
Off Valves
(not included)



All electrical
fixtures connect
to a dedicated
GFCI protected
outlet.



T-Type four (4) 2" drain ports
allow for the drain pipe to be
installed in either direction.

Use drain cap to
close unused
drain port.

