



California Faucets®

Steampunk Bay™

SINGLE HOLE LAVATORY FAUCET

Features

- 1/4 turn ceramic disc mixing cartridge (off-cold-warm-hot)
- Flexible braided hoses for ease of installation
- Ø 1-1/4" all brass touch style pop up drain assembly
- 1.2 gpm (4.5 L/min) max flow rate
- All brass construction
- Over 30 finishes including 15 PVD finishes

Codes/Standards Applicable

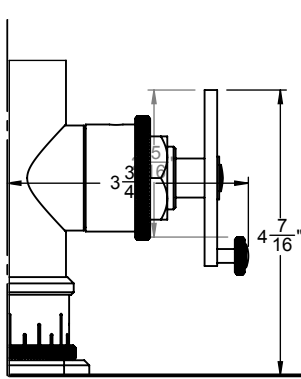
Product meets or exceeds the following:

- ASME A112.18.1/CSA B125.1
- NSF/ANSI 61 & NSF/ANSI 372
- CEC & DOE
- ADA compliant (lever handles only)

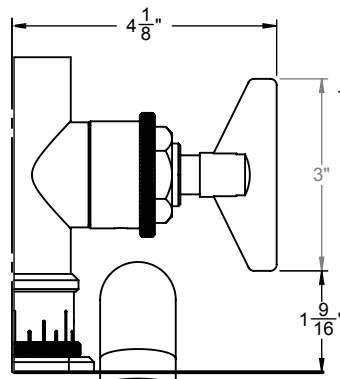


CF-8609-1 SHOWN

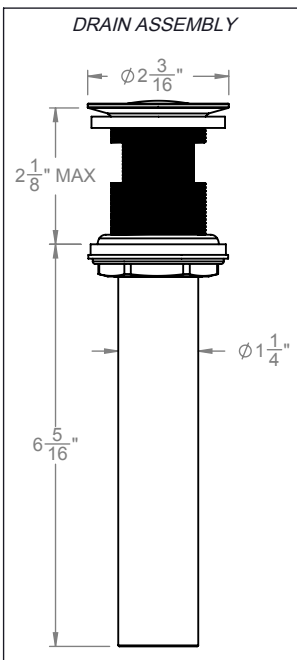
CF-8609-1
CF-8609W-1
CF-8609B-1



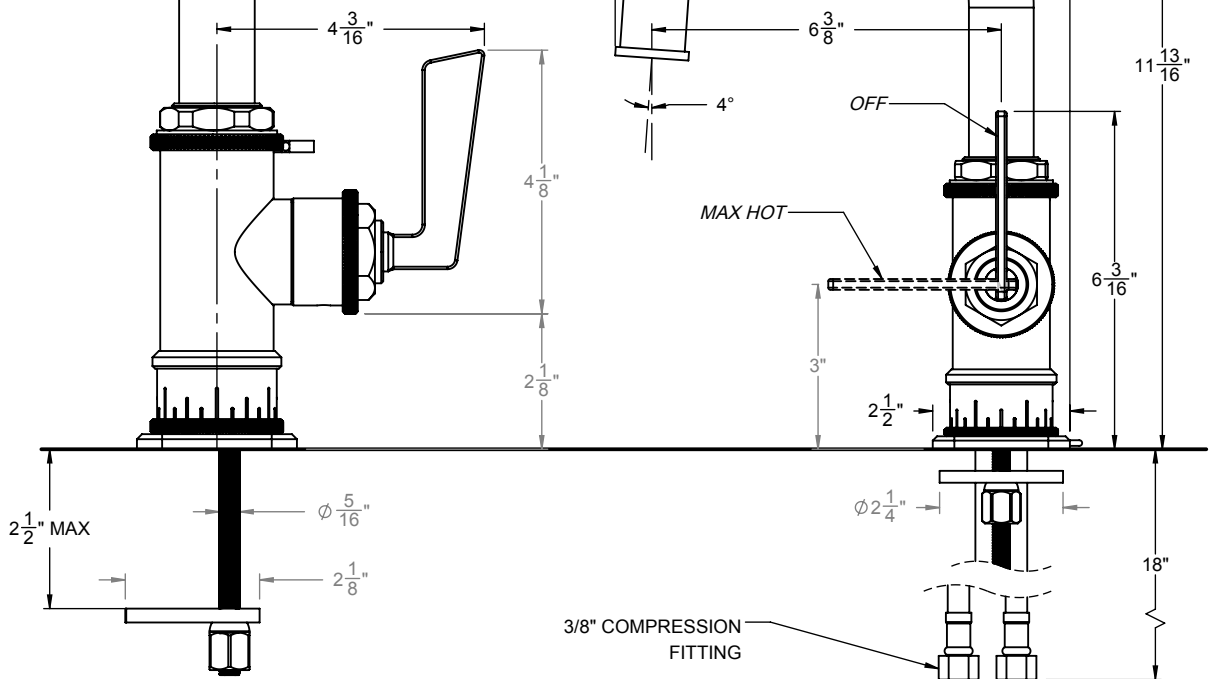
USED BY: CF-8609W-1



USED BY: CF-8609B-1



DRAIN ASSEMBLY



3/8" COMPRESSION FITTING

THROUGH-HOLE SPECIFICATIONS		
MIN	RECOMMENDED	MAX
Ø 1-1/4"	Ø 1-3/8"	Ø 1-3/8"

SPECIFICATIONS SUBJECT TO CHANGE WITHOUT NOTICE

ALL DIMENSIONS SHOWN TO NEAREST 1/16"