

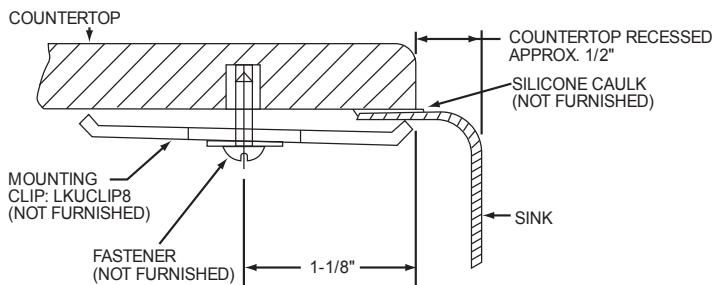
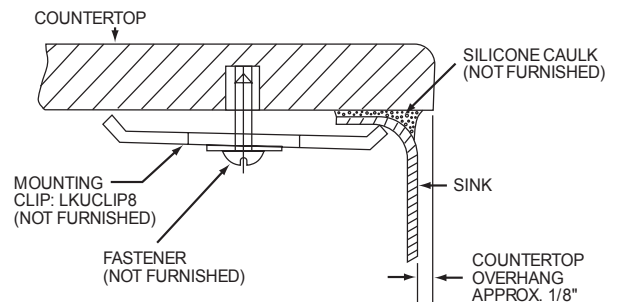
Installation Instructions

ATTENTION INSTALLER:

- 1) ELKAY RECOMMENDS THAT UNDERMOUNT SINKS SHOULD BE INSTALLED BY A PROFESSIONAL EXPERIENCED INSTALLER.
- 2) **WARNING: TEMPLATE IS NOT INCLUDED. PLEASE VISIT ELKAYUSA.COM FOR SINK TEMPLATE. MAKE SURE THE TEMPLATE YOU CHOOSE WILL GIVE YOU THE DESIRED INSTALLATION LOOK. ELKAY'S TEMPLATES PROVIDE EITHER A 1/2" REVEAL OF THE SINK FLANGE OR 1/8" OVERHANG OF THE COUNTERTOP OVER THE SINK BOWL OPENING. IT IS RECOMMENDED THAT YOU DISCUSS THIS WITH YOUR CUSTOMER AND AGREE THAT THIS FINISHED APPEARANCE IS THE DESIRED EFFECT. ELKAY IS NOT RESPONSIBLE FOR IMPROPER SINK OR COUNTERTOP INSTALLATIONS. DUE TO THE AESTHETIC QUALITIES OF THE CONVERGING BOWL RADII, THE TEMPLATE FURNISHED WITH EACH SINK PROVIDES THE ONLY OPENING RECOMMENDED FOR INSTALLATION OF ELKAY UNDERMOUNT SINKS. SEE ILLUSTRATIONS BELOW.**
- 3) ELKAY UNDERMOUNT SINKS SHOULD ONLY BE FASTENED TO A SOLID SURFACE COUNTERTOP (I.E. GRANITE/CORIAN®/SILESTONE®).
- 4) ELKAY IS NOT RESPONSIBLE FOR SINK OR COUNTERTOP IF DAMAGED DURING INSTALLATION.
- 5) METAL EDGES MAY BE SHARP – USE CAUTION WHEN HANDLING.
- 6) FOLLOW ALL LOCAL PLUMBING AND BUILDING CODES.
- 7) INSPECT SINK FOR DAMAGE PRIOR TO BEGINNING INSTALLATION.

INSTALLATION

1. Position template on countertop. Locate the template front to rear, so that sink will not interfere with the cabinet.
2. Trace a line around the template. Cut along the inside of this line to provide opening.
3. Locate and drill the mounting holes (following the countertop manufacturer's instructions) as shown below. Holes should allow even spacing of mounting brackets around the sink. Type of fasteners to be as recommended by countertop supplier.
4. Fasten mounting brackets (optional accessory - LKUCLIP8) to countertop loosely.
5. Using a good quality silicone caulk, apply a bead evenly all around the top of the sink flanges.
6. Position and align sink over the countertop opening. Press silicone onto countertop.
7. Tighten fasteners until mounting brackets are snug against sink.
8. Check alignment of sink to countertop opening.
9. Tighten down fasteners evenly. Be careful not to overtighten. Remove excess silicone.

**1/2" SINK RIM REVEAL****1/8" COUNTERTOP OVERHANG**

Installation Instructions

Suggestions for the Care and Cleaning of Sinks made with CuVerro® Antimicrobial Copper

ELKAY SATIN FINISH

Elkay's original highlighted satin finish is produced by an abrasive grinding operation which lends a uniform pattern of satin finish lines to the metal surface. All exposed areas then undergo a series of progressive machine and hand polishing operations. It is this careful polishing that makes an Elkay satin luster finish so beautiful...and so easy to clean and maintain.

PROPER CARE AND USE

The use of CuVerro antimicrobial copper does not replace standard infection control procedures and good hygienic practices. Surface must be cleaned and sanitized according to standard practice. Health care facilities must maintain antimicrobial copper surfaces in accordance with infection control guidelines; users must continue to follow all current infection control practices, including those practices related to disinfection of environmental surfaces. Surface may be subject to recontamination and the level of active bacteria at any particular time will depend on the frequency and timing of recontamination and cleanliness of the surface (among other factors).

In order for the surface to have proper antimicrobial effect, the product must be cleaned and maintained according to the directions included in this label. **THIS PRODUCT MUST NOT BE WAXED, PAINTED, LACQUERED, VARNISHED, OR OTHERWISE COATED.** Routine cleaning to remove dirt and filth is necessary for good sanitation and to assure the effective antibacterial performance of this copper surface. Cleaning agents typically used for traditional health-care surfaces are permissible; the appropriate cleaning agent depends on the type of soiling and the measure of sanitization required. Normal tarnishing or wear of this product will not impair the antimicrobial effectiveness of the product. This product can not be used for any direct food contact.

Purchaser is aware and informed that the Elkay sink being purchased is made up of a copper-nickel alloy. Some literature reports that some persons may have allergic reactions when exposed to nickel-containing substances. Purchaser should insure that reasonable precautions are taken in this regard. Elkay and purchaser agree that should a claim or litigation arise wherein a person is seeking damages due to an alleged allergic reaction to these substances, that purchaser will indemnify, defend and hold harmless Elkay for any damages and the costs of litigation for any such claim.

CLEANING

Any uncoated copper alloy surface is a "living" finish. The surface has been selected for healthcare applications because of its resistance to corrosion and tarnishing.

Brushed surfaces reduce fingerprinting. Normal daily cleaning will remove fingerprints. However, if surfaces are not cleaned for a long time, or stains develop, there are several citric acid based water soluble cleaners available, such as Wright's® Copper Cream. See www.cuverro.com for additional information.

RECOMMENDATIONS FOR PROPER MAINTENANCE

- **Do...**Rinse thoroughly after each use. "Thorough" rinsing can be done by running water for a few minutes and rubbing the cleaned area with a clean sponge.
- **Do...**Towel dry after each use to prevent mineral deposits from building up on the surface of the sink.
- **Do...**Clean the surface to regular hospital protocols (i.e. appropriate disinfectants, frequency, etc.). Be sure to rub in the direction of the satin finish grain lines. Antimicrobial copper alloys have been shown to be an effective supplement to standard cleaning practices, but are not intended to replace normal cleaning!
- **Do...**Use a cleaner that will not leave a wax film or coating on the surface, so that cleaning will not interfere with the antimicrobial action of the surface.
- **Do Not...**Rub the sink across the satin finish lines. Scouring across the satin finish lines can damage the original sink finish.
- **Do Not...**Allow soap or other household cleansers to dry on the surface of the sink. Most brands contain chemical additives which will affect the original finish.
- **Do Not...**Use a steel wool pad to clean your sink. If a more abrasive product is needed, use a green Scotch Brite pad being sure to rub in the direction of the satin finish grain lines. Steel wool pads have a tendency to break apart and small particles of steel can become embedded in the surface of the sink. The steel particles will rust and will give the appearance that the sink itself is rusting.
- **Do Not...**Use with ammonia. Cleaners, caulks, and sealants containing ammonia may affect the finish.

SCRATCHES

Like many metallic surfaces, your antimicrobial copper sink will scratch. These are merely usage scratches and over time will blend into the overall finish of your sink with proper cleaning.

WATER QUALITY

The quality of your water can affect your sink's appearance. If your water has a high iron content, a brown surface stain can form on the sink giving the appearance of rust. Additionally, in areas with a high concentration of minerals, or with over-softened water, a white film may develop on the sink. To combat these problems, we suggest that the sink be towel dried after use, and again, on a weekly basis, the sink should be cleaned using a mild, non-abrasive cleaner.

ELKAY COMMERCIAL SINKS AND FAUCETS LIMITED WARRANTY

Elkay warrants commercial sink and faucet products to be free of defects in workmanship and materials for a period of 5 years from the date of purchase. This warranty does not cover transportation or installation charges. Contact Elkay customer service (630-572-3192) for complete details and conditions.