

## Elite

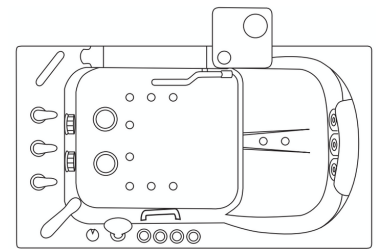
**Actual Size:** 29 x 52 x 38  
**Seat Width:** 21.75 inches  
**Shipping Size:** 32x54x50  
**Shipping Weight:** 275 lbs.  
**Net Weight:** 205 lbs.  
**Unoccupied Water Capacity:** 75 gal.  
**Occupied Water Capacity:** 35-55 gal.  
**Drainage Time:** +/- 80 sec at ideal home plumbing conditions

### Included Features

1. Acrylic Tub Shell
  - Gloss white finish
  - Fiberglass gelcoat reinforced
2. Stainless steel frame with adjustable leveling Legs
3. Inward Swing removable brushed stainless steel door with a frosted tempered glass
4. Two front and one end reversible, removable access panel
5. Stainless steel chrome finish U-shape deck & wall mount grab bars
6. Reversible extension panel, filler for 60" alcove installations
7. Removable swivel tray in a white matte finish
8. Two (2) 2" PVC T-type two outlet drains with two (2) endcaps included. Two (2) overflows and stainless steel cable operated openers with extended handles for an easier grip in a chrome finish.

### Jetting & Therapy Options

1. Dual Jetting (Air + Hydro) + LED Light
2. Hydro + Hydro Independent Foot Massage
3. Hydro Massage (No LED)
4. Hydro Massage + Microbubble + LED Light
5. Microbubble Therapy (No LED Light Included)
6. Soaking Option Only



## Jetting Options

### Hydro Massage

- Hydro Massage Pump 5AMP 600W
- Hydro Massage Intensity Dial Control
- In-line Water Heater 5.5AMP 650W
- Ozone Sterilization
- 14 jets
- On/Off Push Control

### Hydro + Hydro Foot Massage

- Hydro + Hydro Massage Pumps (2) 5AMP 600W
- 2 Hydro Massage Intensity Dial Controls
- Ozone Sterilization
- 16 jets
- On/Off push control
- In-Line Water Heater 5.5AMP 650W

### Air Massage

- Air Massage Pump 4.5AMP 486W
- 3 Speed Pump
- Auto-purge (Activates 20 minutes after pump shutdown)
- 16 jets
- On/Off push control

### Microbubble Therapy

- Air Pressure Pump 10AMP 1200W
- Pressure Tank
- On/Off push control

## Faucet Options

### 1. Five-Piece Fast Fill Faucet

- Up to 18 GPM @ 60 PSI an ideal in-home plumbing conditions
- Two 5' water supply lines with 3/4" connectors
- Pull out, hand held, chrome plated hand shower with a 5' ft. retractable stainless steel braided hose

### 2. Two-Piece Fast Fill Faucet

- Up to 16 GPM @ 60 PSI an ideal in-home plumbing conditions
- Two 5' water supply lines with 3/4" connectors
- Pull out, hand held, chrome plated hand shower with a 5' ft. retractable stainless steel braided hose

### Optional Features

1. Heated Seat and Backrest 4AMP 470W
2. Digital Controller

### Warranty

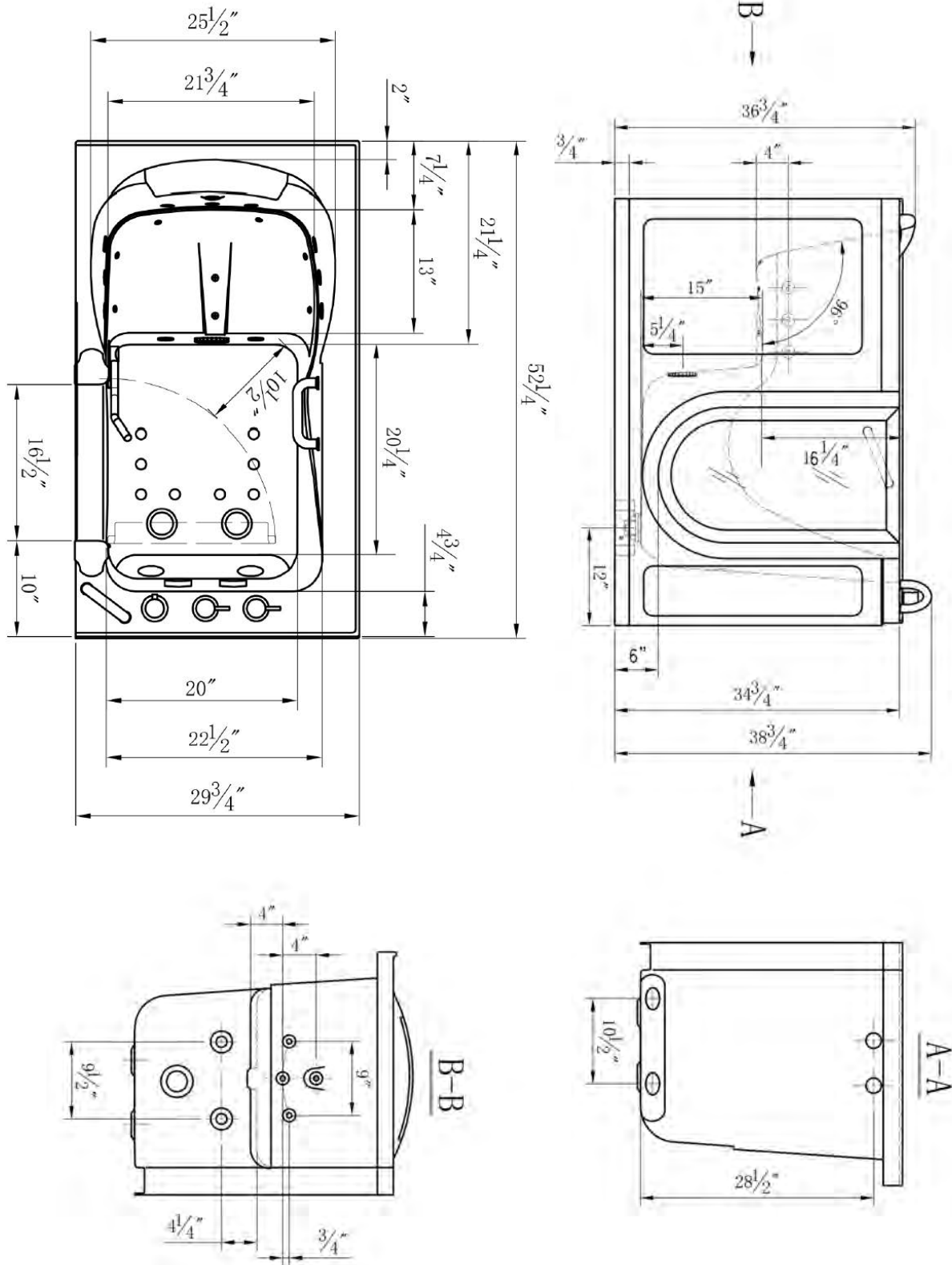
- Lifetime limited\* warranty on shell, frame, door, and parts to original purchaser/Address
- Labor or installation is not covered - please refer to the Ella warranty certificate
- Thermostatic control valve faucet is covered for 1 year due to water quality
- Non Ella brand faucets covered under manufacturers original warranty

### Electrical Requirements

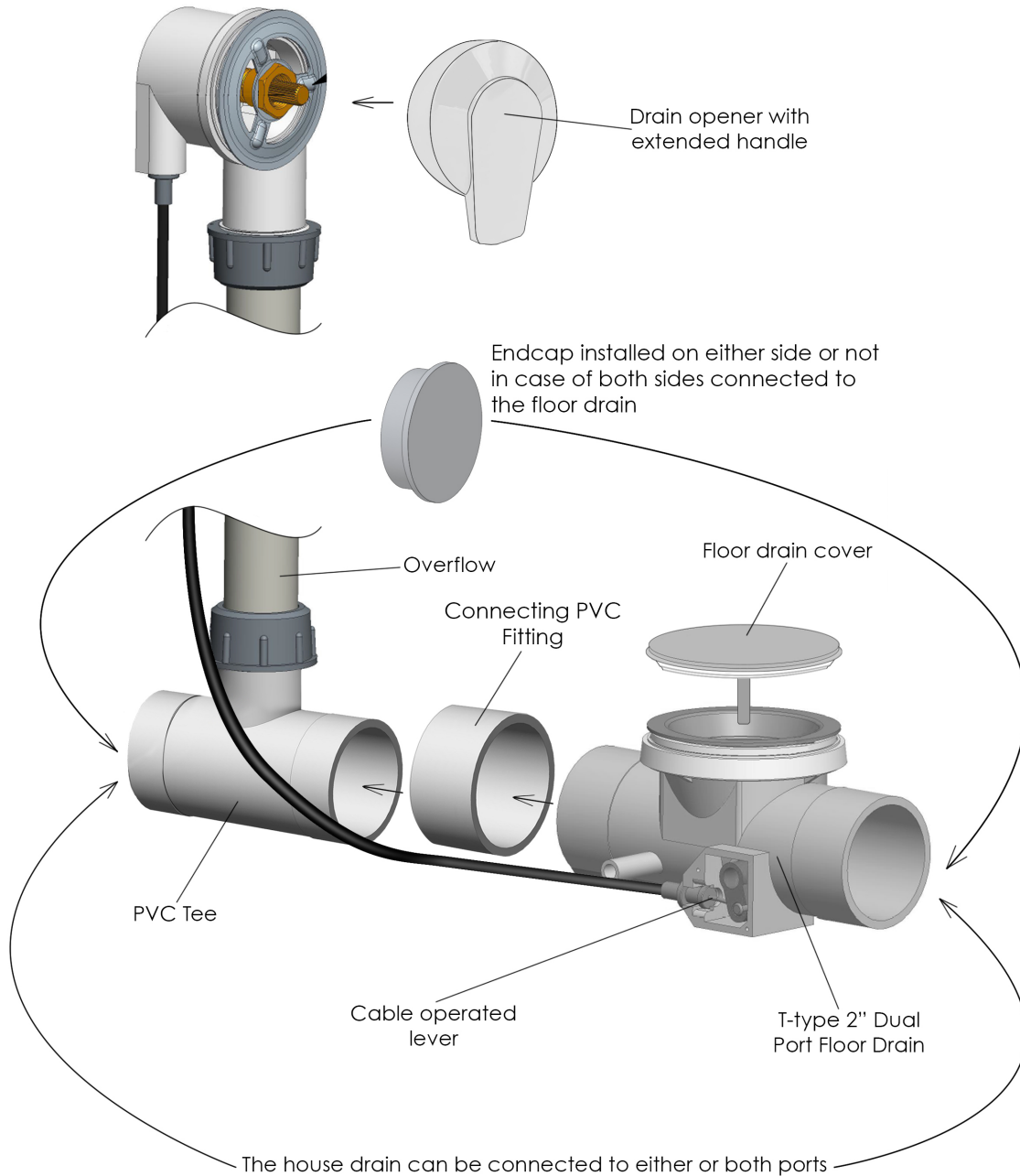
Dedicated GFCI protected electrical line(s) required

Note: LED light .04AMP with On/Off push control comes included with the following packages: Dual (hydro + air), Hydro + Micro.

Elite - Inward Swing Door Walk In Bathtub Drawing  
2" T Type Dual Port Drain



## Dual Drain - two (2) independent floor drains



**DESCRIPTION**

- Spout - brass chrome finish
- Diverter 3/4" - brass chrome finish
- Hot and cold 3/4" valve - brass chrome finish
- Two (2) water supply lines with 3/4" connectors - 5' long, stainless steel braided
- Handheld shower mixer - PVC chrome finish
- Pull out hand mixer hose - stainless steel braided in chrome finish

**Flow**

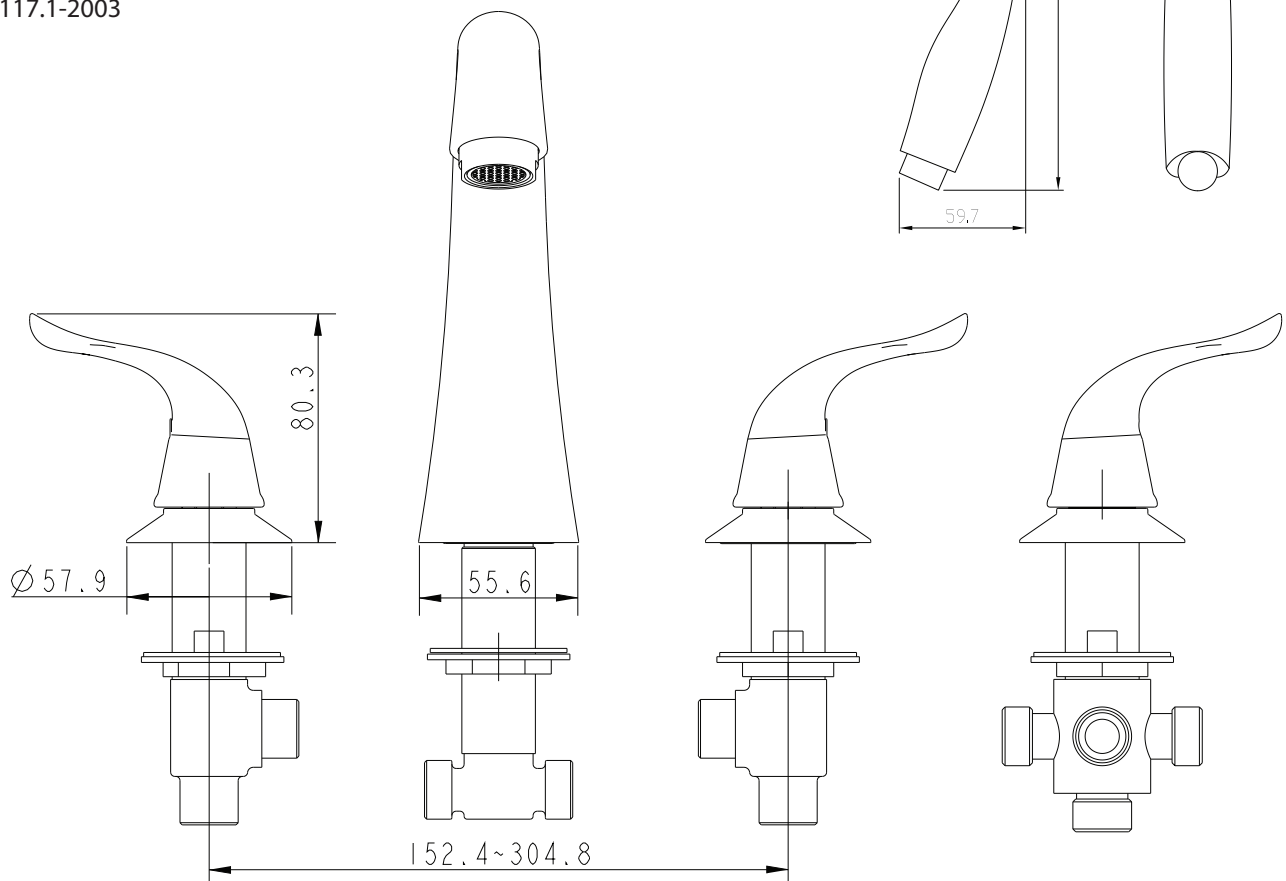
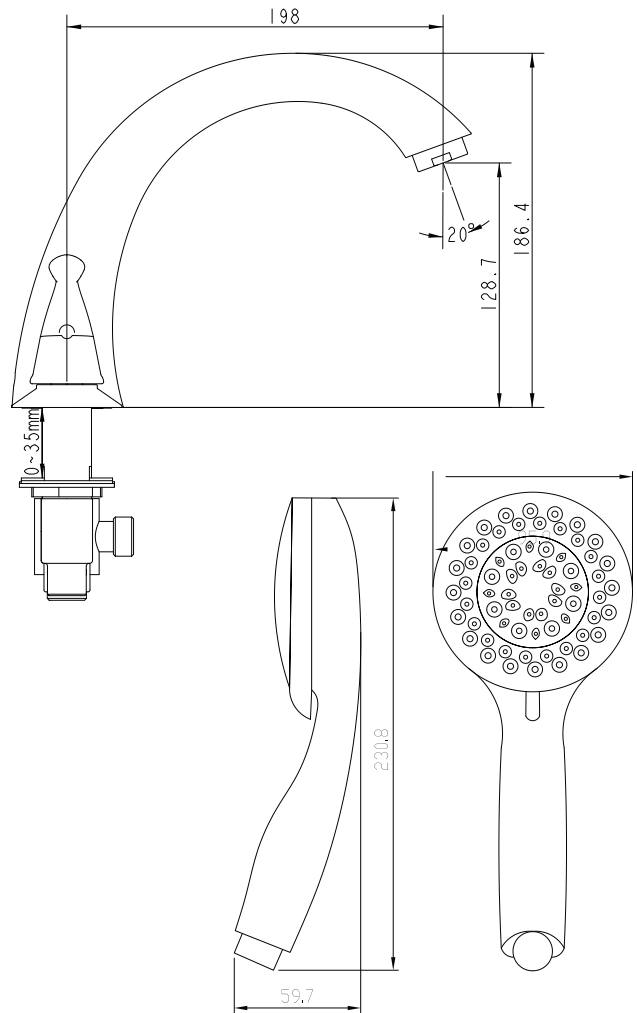
- Faucet - up to 18GPM
- Handheld shower mixer - up to 2GPM

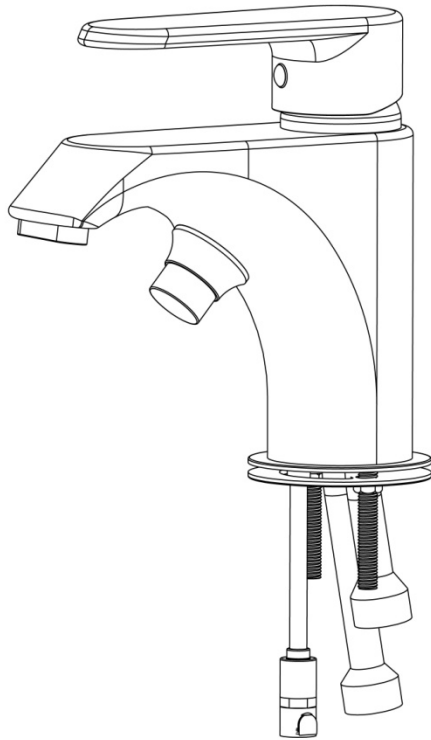
**Cartridge**

- 40mm and 3/4" outlet high flow cartridge design
- Nonmetallic, nonferrous and stainless-steel material

**Standards**

Certified to meet  
ASME A112.18.1-2012/CSA B125.1-12 ICC/  
ANSI A117.1-2003





**DESCRIPTION**

- Spout with diverter – brass chrome finish
- Single lever high flow valve - brass chrome finish
- Includes 5 option adjustable hand shower mixer - PVC chrome finish
- Pull out hand mixer hose stainless steel braided in chrome finish
- Two (2) water supply lines with 3/4" IPS connectors, 5' long - stainless steel braided

G.W: 7.75 kg / 17 lbs.

**NOTE:** THIS FAUCET IS DESIGNED TO BE INSTALLED THRU:

- 2-1/2" DIA. HOLE FOR FAUCET
- 1/3" DIA. HOLE FOR MOUNTING RODS
- 7/8" DIA. HOLE FOR HAND SHOWER

**OPERATION**

- Pivot action lever style handle
- Temperature controlled through 180° degree arc of handle travel

**FLOW**

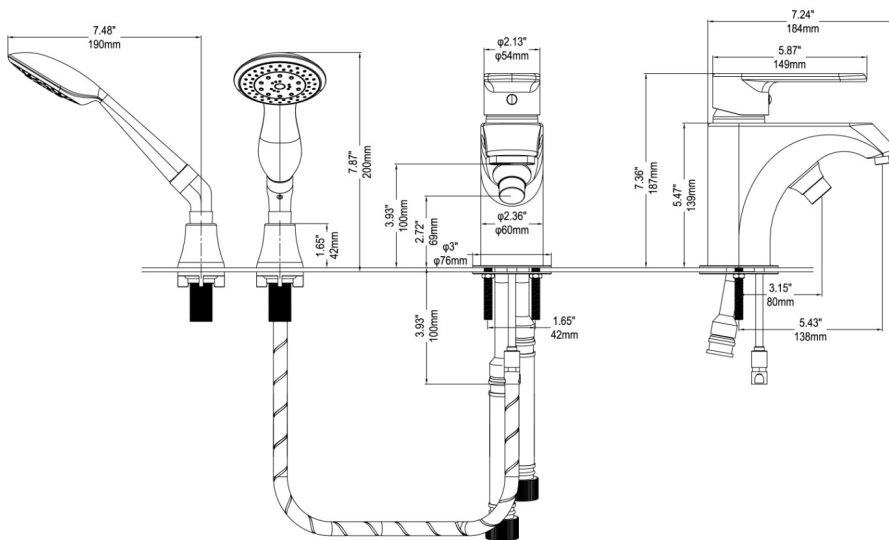
- Faucet – up to 18GPM
- Handheld shower mixer – up to 2GPM

**CARTRIDGE**

- 40mm high flow cartridge design
- Nonmetallic/nonferrous and stainless steel material

**STANDARDS**

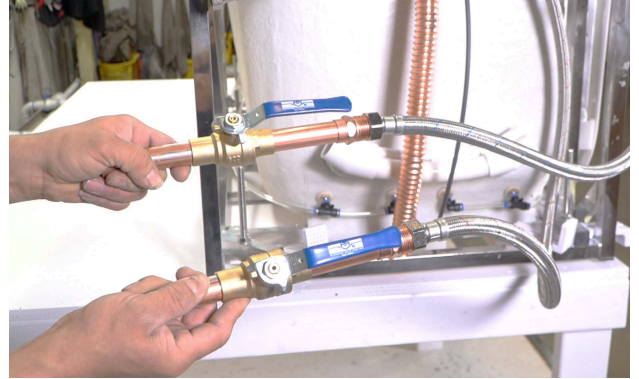
- Third party certified to meet: CSA B-125.1, ASME A112.18.1, ICC 117.1 and all applicable requirements referenced therein
- Certified to ANSI/NSF 61/9
- ADA for lever handle
- IAPMO R&T UPC certified



Two 3/4" connector water supply lines included with Ella Fast Fill Faucets.



Connect to Shut  
Off Valves  
(not included)



All electrical  
fixtures connect  
to a dedicated  
GFCI protected  
outlet.



T-Type four (4) 2" drain ports  
allow for the drain pipe to be  
installed in either direction.

Use drain end  
caps to close  
unused drain  
port (included)

