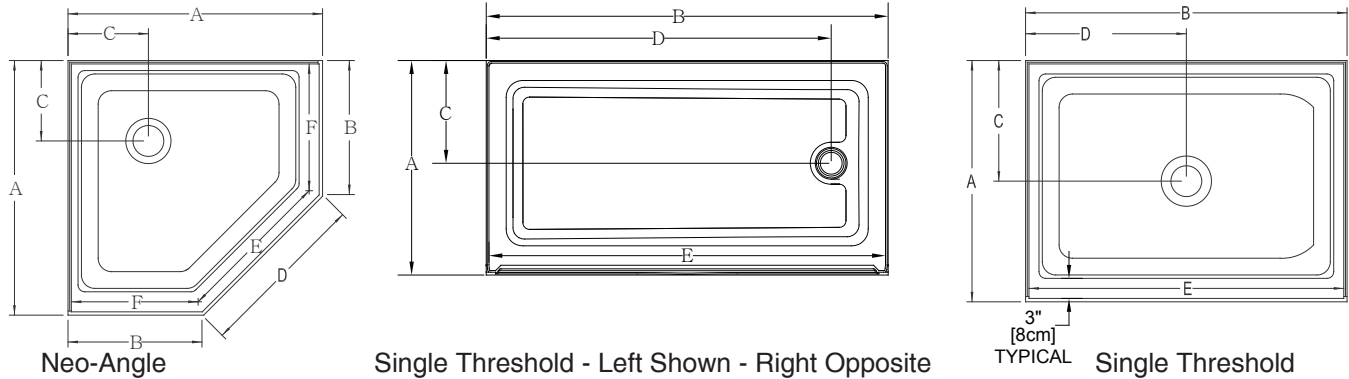
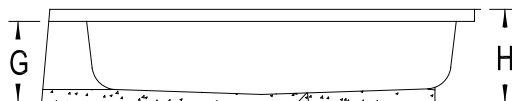


SB Series Acrylic Shower Base INSTALLATION AND MAINTENANCE INSTRUCTIONS

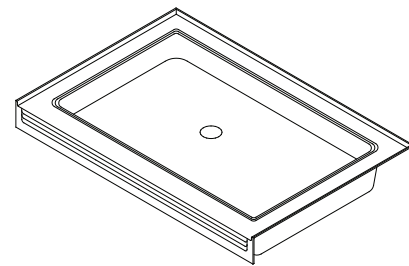


Shower Base Model	Nominal Size (in.)	Thresholds or Type	Dimensions for Shower Bases only, (inches)							
			A	B	C	D	E	F	G	H
SB4242N	42 X 42	Neo Angle	42	22	13.75	28.38	26.13	20.38	5	6
SB4848N	48 X 48	Neo Angle	48	25.38	16	32	30.25	23.13	5	6
SB3648S	36 X 48	Single	36	48	17.31	24	47.25	-	5	6
SB3660S	36 X 60	Single	36	60	17.31	30	59.25	-	5	6
SB3260S-L/R (End Drain)	32 X 60	Single L or R	32	60	15.94	8.5 L 51.5 R	59.13	30.13	5	6

NOTE: All dimensions are approximate. You should have the base at the site before framing.



Typical Cross Section



OWNER'S RECORD

Dealer: _____

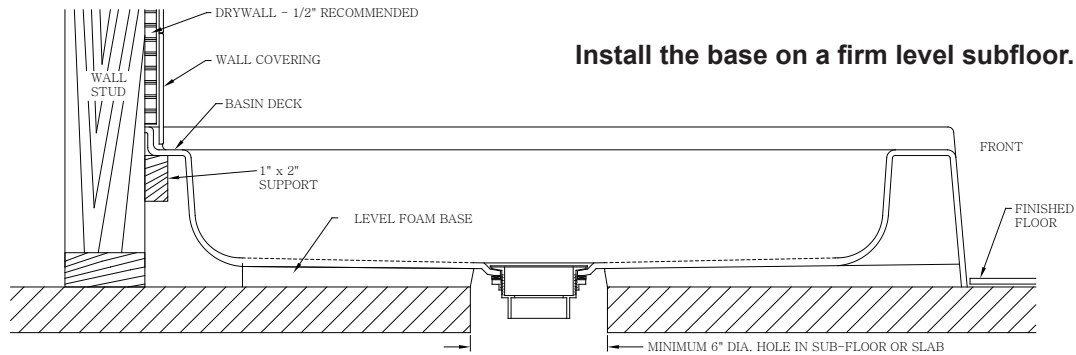
Date Purchased: _____

Date Installed: _____

Installer: _____

**PLACE SERIAL NUMBER CARD WITH
 PRODUCT CONFIGURATION IN THIS BOX**

FIGURE 1 TYPICAL CROSS SECTION VIEW



Install the base on a firm level subfloor.

INSPECTION

Thoroughly inspect the shower base upon receipt, especially if the shipping carton is damaged, to insure it was not damaged during transit. If damage is discovered it must be noted on the bill of lading and a freight claim properly filed with the carrier. The installer is responsible for insuring that the unit is free from defects or damage before installation. In the event of a problem DO NOT install the unit.

Damage to the unit during installation is the responsibility of the installer. **ALL WARRANTY CLAIMS ON ACRYLIC SURFACE MUST BE MADE PRIOR TO INSTALLATION.** Inspect the base and accessories for missing or damaged components. Alert your distributor of any discrepancies.

INSTALLATION INSTRUCTIONS

Read all instructions carefully before beginning installation. Make sure base selected is the correct size for the installation and that a minimum six (6) inch diameter hole in the sub-floor or slab is in the proper location to coincide with the shower base drain.

1. Remove the stainless steel strainer from the drain assembly.
2. Disassemble the locknut and two gaskets from the back of the drain assembly.
3. Apply a 1/4" bead of caulking (silicone) to the drain hole and insert the drain assembly.
4. Replace the rubber washer, fiber washer, and locknut in that order.
5. Apply a lubricant (common household liquid soap works well) to the inside of the rubber seal of the drain assembly.

6. With the drain fitting passing over the center of the drainpipe, lower the shower base slowly into place, push down firmly until the base is in place and level in two directions.

7. The base should then be installed according to Figure 1, "TYPICAL CROSS SECTION VIEW".

CARE OF THE SHOWER BASE

Important: Make sure the base floor is protected with cardboard, etc. during installation to avoid damage to the acrylic surface.

Use a mild detergent to clean the acrylic surfaces of the base. Never use abrasive or grit type powder cleaners or pads, dulling of the acrylic surface will occur.

CLEANING

With minimum care, the acrylic surface of your shower base will retain its high luster finish for many years. For regular cleaning use a soft, wet cloth or sponge and a mild nonabrasive liquid detergent. Rinse the base thoroughly after cleaning.

SURFACE MAINTENANCE

Areas with minor scratches or dull surfaces can be restored by applying commercially available plastic polish (i.e. Novus Plastic Polish No. 2, available from your Jason Dealer), followed by an application of acrylic paste wax. Buff the surface with a clean soft cloth. Do not use sandpaper, steelwool, or abrasive rubbing compounds.

If scratches are too deep to rub out, or if the damage penetrates the acrylic surface, consult your dealer for recommendations on surface repair.

NOTE: These products conform to the "American National Standard for Plastic Shower Receptors and Shower Stalls", ANSI Z124.2-1995.

WARRANTY REGISTRATION: Register your product's warranty online at www.jasoninternational.com.

JASON INTERNATIONAL INC. LIMITED WARRANTY

The Company warrants the products of its own manufacture to be free from defects in workmanship and material for a period of twelve (12) months from date of installation or eighteen (18) months from date of manufacture, whichever comes first. Any merchandise which upon Company examination proves to be defective under normal use and service during the warranty period will be at the Company's option repaired, replaced or credit issued in the amount of the invoice value of the defective merchandise. All other types of remedies are excluded. This warranty extends only to the owner of the originally installed merchandise. The Company is not responsible for labor or other installation costs for the repair or replacement of defective merchandise. Company reserves the right to substitute new or improved equipment on any replacements. The repair or replacement of equipment shall be F.O.B. point of shipment.

This warranty shall not apply to any merchandise which has been subject to accident, alteration, abuse, misuse, abrasives, corrosion and/or electrolysis, improper voltage supply, misapplication, careless handling, improper installation, maintenance, abnormal chemical conditions, nor does this warranty cover stains, discoloration or the fading of color due to improper use of chemicals or improperly maintained water chemistry.

This warranty shall not apply to any merchandise or parts thereof which were not manufactured by Company. Such product or merchandise manufactured by others shall have only such warranties, in writing, that may be extended and in force at

the time by such other manufacturer or supplier.

To obtain warranty service, you must contact the retailer from which the merchandise was purchased or Company's distributor in your area. Written notice of warranty defects must be given to the company within thirty (30) days from the occurrence thereof. Written permission must be obtained by the retailer or distributor from the Company before any equipment claimed defective is returned for inspection.

EXCEPT AS PROVIDED HEREIN, COMPANY MAKES NO WARRANTIES EITHER EXPRESSED OR IMPLIED, AS TO ANY MATTER WHATSOEVER INCLUDING THE CONDITION OF THE MERCHANDISE, ITS MERCHANTABILITY OR FITNESS FOR A PARTICULAR PURPOSE. ANY WARRANTIES IMPLIED BY LAW AND NOT EFFECTIVELY EXCLUDED BY THIS WARRANTY, ARE LIMITED TO THE DURATION AND REMEDIES OF THIS WARRANTY. IN NO EVENT SHALL THE COMPANY BE LIABLE FOR CONSEQUENTIAL OR INCIDENTAL DAMAGES.

Some states do not allow limitations on how long an implied warranty lasts or the exclusion or limitation of incidental or consequential damages, so the above limitations may not apply to you.

This warranty gives you specific legal rights and you may also have other rights that vary from state to state.