

**ELKAY**<sup>®</sup>

## INSTALLATION / OWNER'S MANUAL

Single Handle Kitchen Faucet

Model # LK2500

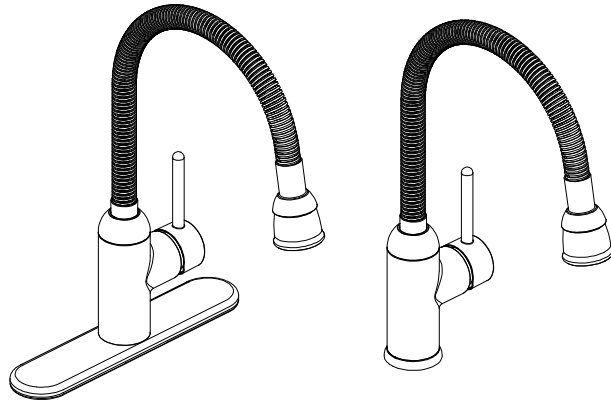
### Important!

#### You choose the flow rate!

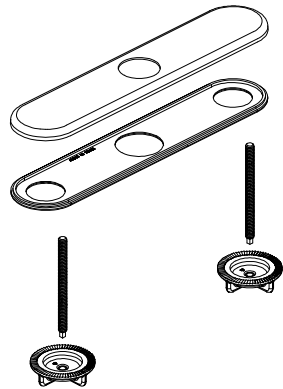
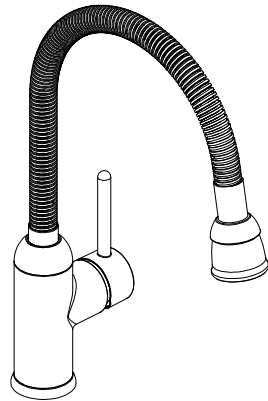
This faucet ships with an eco-friendly 1.5GPM flow regulator installed.

If you desire higher flow rate, a 2.2GPM flow regulator has also been included in the box.

Switching the flow regulator is simple! See the "Flow Regulator Replacement" section for details.



### INCLUDES:



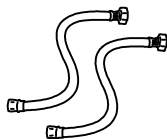
### RECOMMENDED TOOLS:



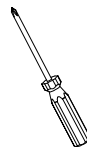
Groove joint pliers



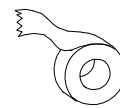
Wrench



(2) 1/2 in Supply Lines



Screwdriver



Sealant Tape



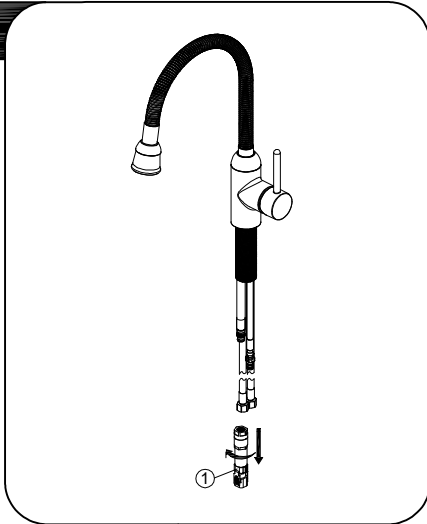
Plumber's Putty

**SAVE FOR CONSUMER**

**WARNING:** Please carefully read and properly follow the instructions for installation found in this manual.

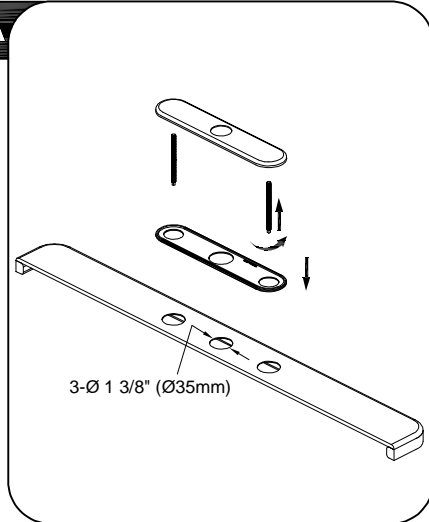
## STEPS:

**1**



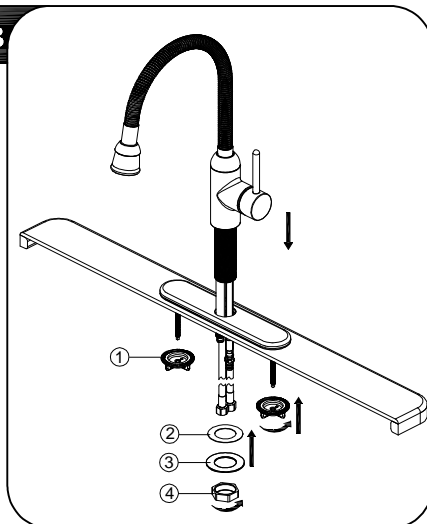
Shut off water supplies.  
Before installation, remove quick connect assembly (1) from the free end of hose.  
If installing the faucet with the escutcheon, begin with step 2A. If installing the faucet with flange, begin with step 3.

**2A**



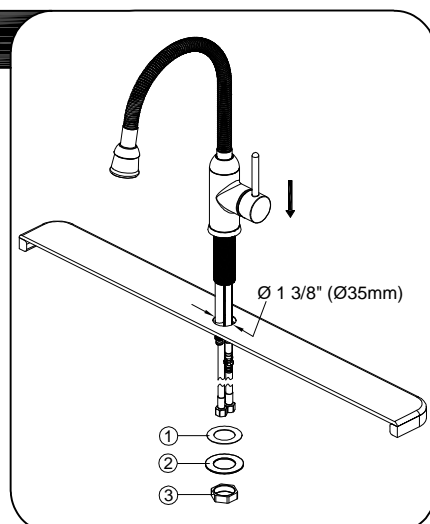
Before installation, screw bolts to the large escutcheon. Insert escutcheon assembly through the gasket and the holes of the sink.

**2B**



Insert faucet body through the hole in escutcheon.  
From underneath sink, hand tighten mounting nuts (1).  
Install plastic washer (2) and metal washer (3) onto the threaded mounting shank. Thread nut (4) onto mounting shank. Do not overtighten.

**3**

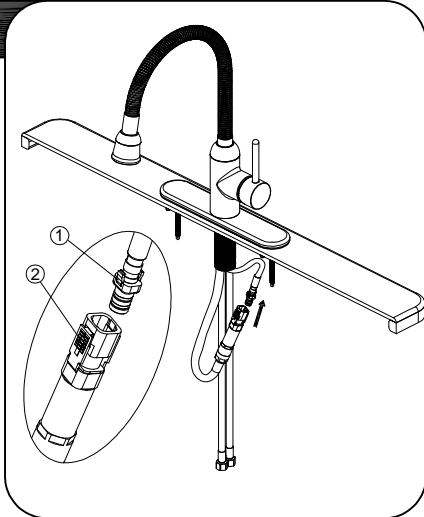


Insert faucet body through the hole in sink.  
Install plastic washer (1) and metal washer (2) onto the threaded mounting shank. Thread nut (3) onto mounting shank. Do not overtighten.

**WARNING:** Please carefully read and properly follow the instructions for installation found in this manual.

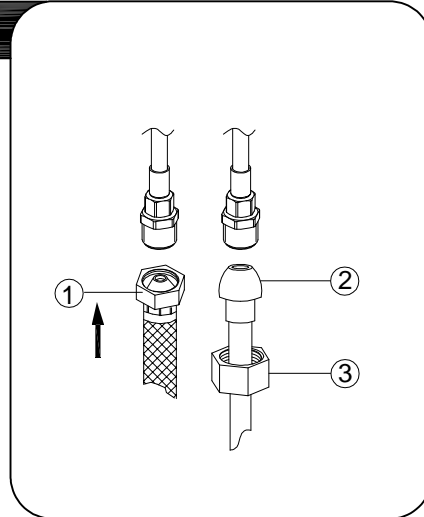
## STEPS:

4



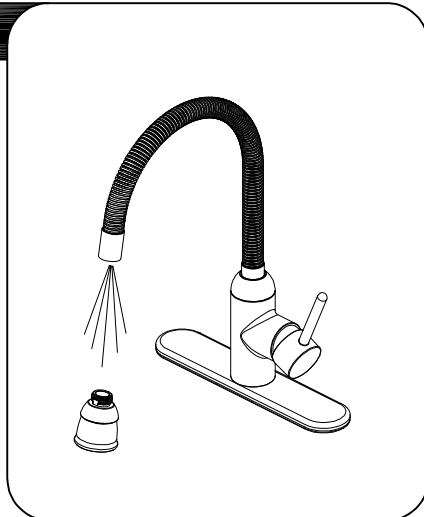
Screw quick connect assembly to the free end of hose. Align male fitting (1) and tabs (2) on quick connector. Push quick connector housing firmly upward and snap onto receiving male fitting. Pull down moderately to ensure connection has been made.

5



Make connections to water lines. Use 1/2" I.P.S. faucet connections (1) or use coupling nuts (3) with 3/8" O.D. ball-nose riser (2). Use wrenches to tighten connections. Do not overtighten.

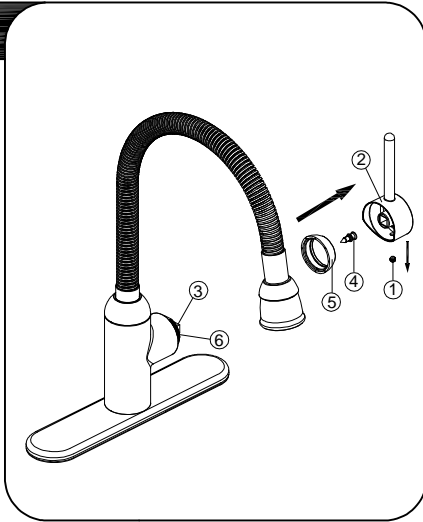
6



Important: after installation is completed, turn on hot and cold water supplies. Check for leaks. Remove the spray head by unscrewing it from the hose counterclockwise. Turn the faucet on to the warm position where it mixes hot and cold water. Flush water lines for one minute. Check for leaks. Re-tighten any connections if necessary, but do not overtighten. Reinstall spray head by hand tightening it back onto the hose.

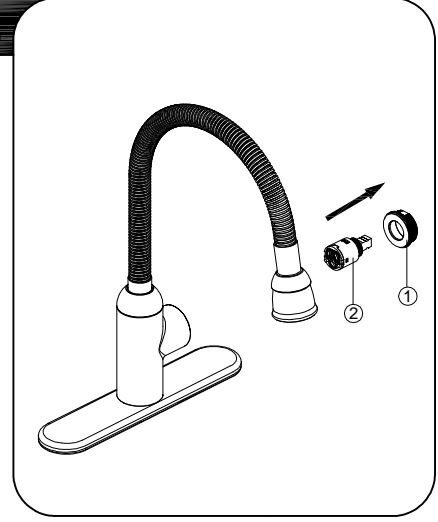
## CARTRIDGE REPLACEMENT

1



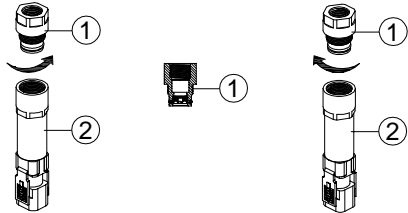
Shut off water supply. With valves in "closed" position, Loosen the set screw (1). Remove handle (2) from valve stem (3). Loosen the screw (4) from valve stem (3) and unscrew the cap (5) from the cartridge nut (6).

2



Loosen cartridge nut (1) by turning it counter-clockwise and lift out the cartridge (2). Insert new cartridge. Reinstall the handle.

## FLOW REGULATOR REPLACEMENT



This faucet ships with a 1.5 GPM flow restrictor installed. An optional 2.2 GPM flow restrictor is also included in the box.

To switch the flow rate of the faucet:

1. Disassemble the quick connect assembly by separating the connector (1) and quick connect (2).
2. Replace 1.5 GPM connector (green) with the 2.2 GPM connector.
3. Reinstall the quick connect assembly.

## CARE AND CLEANING INSTRUCTIONS

Congratulations on your purchase of an Elkay product. Although your product is extremely durable, attention should be given to the care, cleaning and maintenance of this product. Cleaning agents and abrasives may cause damage, which may result in oxidation and discoloration.

By following these simple guidelines for proper care and cleaning, it will give you years of enjoyment:

**TO CLEAN:** Simply wipe gently with a damp cloth and blot dry with a soft towel. A common rule of thumb is: when you dry off, dry off your product.

- Avoid build-up of soap, toothpaste or mineral deposits, as these tend to have an adverse effect on the appearance of the product.
- NEVER use cleaning products of any kind on this product - especially those containing ammonia, bleach or alcohol - or those with any form of abrasive.

**FOR CARE AND MAINTENANCE:**

- The water in certain areas of the world can be very caustic - standing water around the product can cause damage. Be sure to remove standing water with a dry, soft cloth as soon as possible.
- For polished brass finishes, as often as once a week, you can apply a paste wax or special, non-abrasive, brass coating (DO NOT APPLY POLISH).
- Before applying a protective coating, gently brush the entire fixture using a soft tooth brush. This will remove any dirt or deposit build-up.
- These simple steps will add temporary protective coating to your faucet and extend the life of the finish.

Failure to follow care and cleaning will void your warranty. For additional information, please visit [elkayusa.com](http://elkayusa.com).

# WARRANTY

## ELKAY LIMITED LIFETIME WARRANTY

### ELKAY LIMITED LIFETIME WARRANTY

Elkay warrants that all parts and finishes of the Elkay Residential brand faucets are free from defects in materials and workmanship for the life of the product, if purchased after 1996. This warranty covers the original consumer purchaser of the product only.

If the product should leak or drip during normal use, Elkay will provide, free of charge, a replacement cartridge. For other defects in material or workmanship, Elkay will, at its option, supply replacement parts (or if no longer available a comparable product). Elkay reserves the right to examine product in question and its installation prior to replacement.

#### What is not covered:

1. Damage caused by accident, negligence, misuse, abuse, improper installation or operation or failure to follow care or installation instructions enclosed with your product.
2. Damage occurring during shipment of the product (claims must be presented to the carrier).
3. Normal wear and tear.
4. Labor charges, costs of removal and reinstallation, and any damages to other property.
5. All industrial, commercial and business use whose purchasers are hereby extended a limited lifetime on mechanical parts and 5 years on finish.

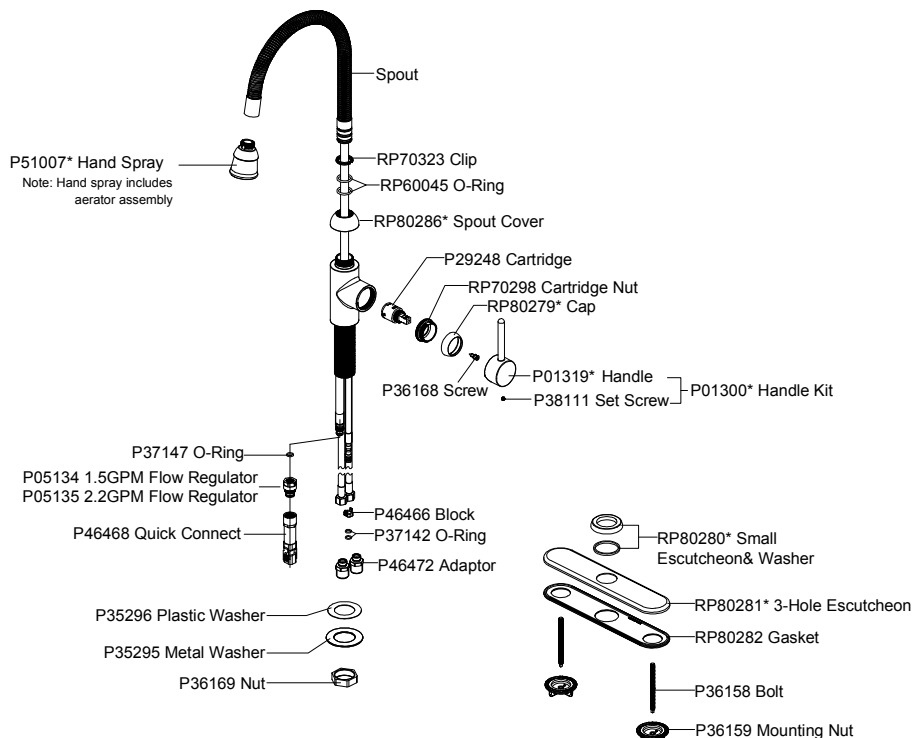
#### What you must do to obtain warranty service:

Either write to Elkay, attention Customer Care, 2222 Camden Court, Oak Brook, IL 60523 or call 1-800-223-5529. Please provide date of purchase and installation, description of nature of the defect, and model number or description of model and/or component part.

THIS LIMITED WARRANTY IS EXPRESSLY IN LIEU OF ANY OTHER WARRANTIES, EXPRESSED IMPLIED, ARISING BY LAW OR OTHERWISE, INCLUDING WITHOUT LIMITATION, ANY IMPLIED WARRANTY OF MERCHANTABILITY OR FITNESS FOR A PARTICULAR PURPOSE. THIS LIMITED WARRANTY MAY NOT BE ALTERED, VARIED, OR EXTENDED, EXCEPT BY A WRITTEN INSTRUMENT EXECUTED BY ELKAY. THE REMEDY OF REPAIR OR REPLACEMENT AS PROVIDED UNDER THIS LIMITED WARRANTY IS EXCLUSIVE. IN NO EVENT SHALL THE MANUFACTURER BE LIABLE FOR ANY CONSEQUENTIAL OR INCIDENTAL DAMAGES TO ANY PERSON, WHETHER OR NOT OCCASIONED BY NEGLIGENCE OF ELKAY, INCLUDING WITHOUT LIMITATION DAMAGES FOR LOSS OF USE, COSTS PROPERTY DAMAGE OR OTHER MONETARY LOSS.

Some states do not allow the exclusion or limitation of incidental or consequential damages or limitations on how long an implied warranty lasts, so the above limitations or exclusions may not apply. This warranty gives you specific legal rights and you may also have other rights which vary from state to state. This warranty covers product installed in the United States and Canada.

## REPLACEMENT PARTS



Elkay

elkayusa.com

©2011 Elkay  
Model # LK2500  
P99352 (Rev. date: 06/2011)

### STEP ONE

Place sink upside down on countertop surface. Place sink in exact position for installation and pencil completely around sink to create a sink outline.

### STEP TWO

Scribe actual opening 5/16" inside the sink outline, all the way around.

SAMPLE CUTOUT SIZES		
SINK SIZE	CUTOUT LENGTH	CUTOUT WIDTH
25 x 22	24 3/8	21 3/8
33 x 22	32 3/8	21 3/8
37 x 22	36 3/8	21 3/8
38 x 22	37 3/8	21 3/8
40 x 22	39 3/8	21 3/8
43 x 22	42 3/8	21 3/8
48 x 22	47 3/8	21 3/8
54 x 22	53 3/8	21 3/8

### STEP THREE

Cut out on inside of this line (following the manufacturer's instructions). Install faucet to sink and tighten.

### STEP FOUR

Apply a silicone caulk around entire perimeter of opening. Set bowl into opening.

### STEP FIVE

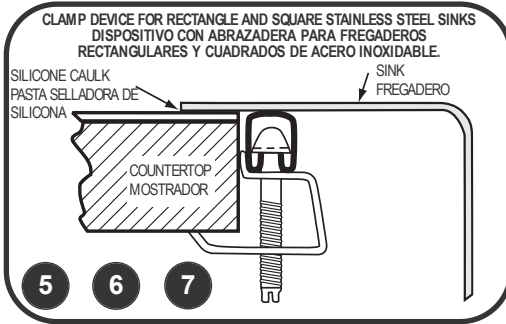
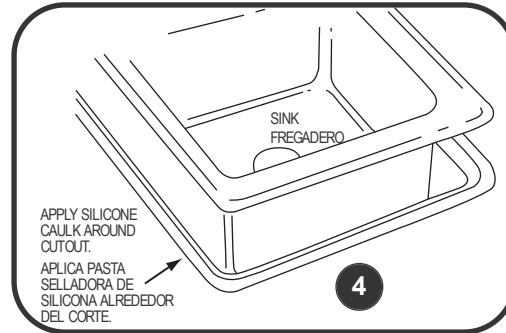
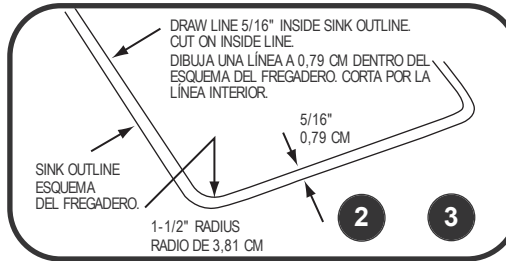
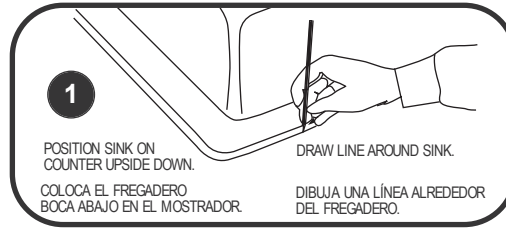
From underside of sink, place one clamp near center, tighten by hand enough to hold sink in place. This applies to all four sides. Fasten balance of clamps in position and hand tighten. (Usually 3 clamps on end, balance divided equally front and back). Space clamps as equally as possible. For countertops thicker than 3/4" up to 1-1/2", Elkay recommends using LK364.

### STEP SIX

From the top side, check seal between rim and countertop. Adjust clamps to high spot if necessary.

### STEP SEVEN

Tighten clamp evenly with screwdriver or socket wrench in rotation until sink is seated with countertop. **Caution:** Do not over-tighten clamps.



### PASO UNO

Coloca el fregadero boca abajo en la superficie del mostrador. Coloca el fregadero en la posición exacta para la instalación y delinea con un lápiz alrededor del fregadero.

### PASO DOS

Traza la línea de la abertura real 0,79 cm más adentro del borde delineado del fregadero, bordeándolo por completo.

EJEMPLOS DE LINEA DE CORTE		
Medida de Fregadero	Longitud del Corte	Anchura del Corte
635mm x 558mm	619.1mm	542.9mm
838.2mm x 558mm	822.3mm	542.9mm
939.8mm x 558mm	923.9mm	542.9mm
965.2mm x 558mm	949.3mm	542.9mm
1016mm x 558mm	1000.1mm	542.9mm
1092.2mm x 558mm	1076.3mm	542.9mm
1219.2mm x 558mm	1203.3mm	542.9mm
1371.6mm x 558mm	1355.7mm	542.9mm

### PASO TRES

Corta dentro de esta línea (siguiendo las instrucciones del fabricante). Si el fregadero viene con una plataforma para grifo, instala el grifo en el fregadero y apriétalo.

### PASO CUATRO

Aplica pasta selladora de silicona alrededor de todo el perímetro de la abertura. Coloca el tazón en la abertura.

### PASO CINCO

Desde debajo del fregadero, coloca una abrazadera cerca del centro, ajústala con la mano lo suficiente como para mantener el fregadero en su lugar. Esto debe hacerse en los cuatro lados. Sujeta el contrapeso de las abrazaderas en su lugar y apriétalo con la mano. (Generalmente 3 abrazaderas en el extremo, el contrapeso dividido igualmente entre la parte frontal y posterior). Coloca las abrazaderas a la misma distancia una de la otra, tanto como sea posible. Para mostrador grueso de 19mm hasta 38mm Elkay recomienda utilizar LK364.

### PASO SEIS

Desde el lado superior, revisa el sello entre el borde y el mostrador. Ajusta las abrazaderas a un punto más alto si es necesario.

### PASO SIETE

Aprieta la abrazadera de forma pareja con un destornillador o llave de dados en rotación hasta que el fregadero se asiente en el mostrador. **Precaución:** No aprietes demasiado las abrazaderas.

### What You Will Need

The tools you will need to install your stainless steel sink are few and commonly found in the average home toolbox.

Here is a list of what you will need:

- Caulking for mounting sink rim.
- Plumbers putty for mounting faucet and strainers.
- Yardstick or Rule (at least 3-feet long).
- Flashlight.
- Long, thin screwdriver (shank at least six inches).
- Adjustable wrenches (2), or open ends.
- Pipe wrench.

### Lo Que Necesitarás

Las herramientas que necesitarás para instalar tu fregadero de acero inoxidable son pocas y pueden encontrarse normalmente en una caja de herramientas común del hogar.

A continuación una lista de lo que necesitarás:

- Masilla para instalar el borde del fregadero.
- Masilla de plomero para instalar el grifo y los escurridores.
- Vara de medir o Regla (de al menos 91 cm).
- Linterna.
- Destornillador largo y fino (vástago de al menos 15,24 cm).
- 2 Llaves ajustables, o de extremos abiertos.
- Llave para tubería.

Los tornillos de instalación vienen con el fregadero.

# Use and Care Hints

## Satin Finish

Regular cleaning is important to maintain the appearance of your Elkay sink.

## Easy Cleaning Instructions

Rinsing is the most important part of sink care. An Elkay stainless steel sink finish will retain its original bright appearance if the sink is **rinsed** thoroughly after each use. "Thorough" rinsing can be done by running the water throughout the sink for a few minutes after each use. Typically, a rinse and towel drying after each use takes care of most everyday clean ups.

## Recommendations for Proper Maintenance

- **Do...** Use only a mild liquid dishwashing detergent with a soft sponge to clean and then thoroughly rinse the sink.
- **Do...** Rinse thoroughly after each use. "Thorough" rinsing can be done by running water for a few minutes and rubbing the cleaned area with a sponge.
- **Do...** Towel dry after each use to prevent mineral deposits from building up on the surface of the sink.
- **Do Not...** Allow liquid soap or other household cleansers to dry on the surface of the sink. Most brands contain chemical additives which will affect the original finish.
- **Do Not...** Use solutions of chlorine bleach and water in the sink. Chlorides, which are found in most soaps, detergents, bleaches, and cleansers, are very aggressive to stainless steel. If left on the sink too long they can cause surface pitting.
- **Do Not...** Use a steel wool pad to clean your sink. Steel wool pads have a tendency to break apart and small particles of steel can become embedded in the surface of the sink. The steel particles will rust and will give the appearance that the sink itself is rusting.
- **Do Not...** Use abrasive cleansers or abrasive pads as it will scratch the surface.
- **Do Not...** Leave wet sponges, cloths, or cleaning pads on the sink. This can lead to surface rust.

Following these recommendations for the care and cleaning of your stainless steel sink will insure that it will provide you with many years of service.

## Chlorides

Today, chlorides are found in most all soap, detergents, bleaches and cleansers; chlorides can be oppressive to stainless steel. However, chlorides are very water soluble. Therefore, THOROUGH RINSING of your sink after each use to remove any chloride residue and a weekly scouring is all that is required to keep your sink looking bright and shiny.

## Water Quality

The quality of your water can affect your sink's appearance. If your water has a high iron content, a brown surface stain can form on the sink giving the appearance of rust. Additionally, in areas with a high concentration of minerals, or with over-softened water, a white film may develop on the sink. To combat these problems, we suggest that the sink be towel dried after use.

## Discoloration, Rust and Possible Pitting

Wet sponges, cloths, cleaning pads and rubber mats left on the sink can lead to discoloration. Steel wool pads should never be used to clean your sink as they leave small iron particles in the grain lines which rust and can damage the sink. Continued usage in this manner may eventually lead to the sink itself rusting and pitting.

## Liquid Soap

Do not allow concentrated liquid detergent to dry on your sink. Most brands contain chemical additives which will affect the original finish.

## Spotting

The quality of your water can affect your sink's appearance. In areas with hard water, a brown surface stain can form on the sink giving the appearance of rust. This phenomena also occurs in water with high iron content. Additionally, in areas with a high concentration of minerals, or with over-softened water, a white film may develop on the sink. To combat this problem, we suggest that the sink be towel dried after use.

## Foods

Heavy salt concentration or foods containing high levels of salt should not be allowed to dry onto the sink surface. Rinse your sink thoroughly after use.

## ELKAY LIMITED SINK WARRANTY

Elkay warrants to the original purchaser of an Elkay stainless steel sink that Elkay will, at its option, replace or repair, without charge, such product if it fails due to a manufacturing defect for a lifetime of normal residential use. Product replacement does not include transportation cost or labor installation cost. This warranty covers only stainless steel self-rimming drop-in sinks installed in a conventional countertop surface and stainless steel undermount sinks installed in a conventional solid surface countertop and applies to residential installations only. Elkay reserves the right to examine product in question and its installation prior to replacement.

### WASTE FITTINGS AND ACCESSORIES ARE NOT WARRANTED OTHER WARRANTY CONDITIONS ON SINKS

This warranty applies to sinks purchased after March 1st 2001 as shown on the purchaser's dated receipt. For sinks purchased prior to March 1st 2001, the applicable warranty at that time will be in effect. Our warranty does not cover product failure or damage caused by the use of optional Elkay accessories, abusive treatment, misuse, environmental factors, normal wear including dents and scratches, improper care and cleaning, use of aggressive and abrasive cleaners, damage due to handling or failure to follow the recommended procedures for installation, care and maintenance as detailed in the installation and care guide provided with every sink. This warranty is extended only to the original consumer purchaser of the product. This warranty does not cover shipping costs, labor costs, or any other charges for such items as installation or replacement of the sink, diagnosis or replacement of any faucet or component part, or any other expense or loss.

This warranty does not cover obsolete, discontinued nor display products, whether such items are purchased at discount outlets and/or on-line or sold on clearance or close out.

**All incidental or consequential damages are specifically excluded. No additional warranties, express or implied are given, including but not limited to, any implied warranty of merchantability or fitness for a particular purpose.**

Some states do not allow the exclusion or limitation of incidental or consequential damages or limitations on how long an implied warranty lasts, so the above limitations or exclusions may not apply to you.

This warranty gives you specific legal rights, and you may also have other rights which vary from state to state.

### TO OBTAIN SERVICE UNDER WARRANTY

1. Write to: Elkay Manufacturing Company  
Attention: Consumer Services  
2222 Camden Court  
Oak Brook, IL 60523
2. Include a letter containing the following information:
  - a. Date of purchase and installation
  - b. Proof of Purchase (copy of original dated invoice)
  - c. Description of nature of defect
  - d. Model number or description of model and/or component part if possible.

# Consejos de Uso y Mantenimiento

## Acabado Satinado

La limpieza regular es importante para mantener la apariencia de tu fregadero Elkay.

## Instrucciones para una Limpieza Fácil

Enjuagar es el paso más importante del cuidado del fregadero. El acabado de un fregadero de acero inoxidable Elkay mantendrá su apariencia brillante original si el fregadero se enjuaga completamente después de cada uso. Un enjuague «completo» puede hacerse dejando correr agua por el fregadero durante unos minutos después de cada uso. Generalmente, enjuagar y secar con toalla después de cada uso es lo principal de la mayoría de las limpiezas diarias.

## Recomendaciones para un Mantenimiento Adecuado

- **Se Recomienda...** Usar sólo un detergente líquido y suave para fregar con una esponja para limpiar y luego enjuagar abundantemente el fregadero.
- **Se Recomienda...** Enjuagar completamente después de cada uso. Un enjuague «completo» puede hacerse dejando correr agua durante unos minutos y frotando el área limpia con una esponja.
- **Se Recomienda...** Secar con una toalla después de cada uso para evitar que se acumulen depósitos minerales en la superficie del fregadero.
- **No Se Recomienda...** Dejar que jabón líquido u otros limpiadores del hogar se sequen en la superficie del fregadero. La mayoría de las marcas contienen aditivos químicos que afectarán el acabado original.
- **No Se Recomienda...** Usar soluciones de blanqueador con cloro y agua en el fregadero. Los cloruros, que pueden hallarse en la mayoría de los jabones, detergentes, blanqueadores y limpiadores, son muy agresivos para el acero inoxidable. Si se dejan en el fregadero durante mucho tiempo pueden causar picaduras en la superficie.
- **No Se Recomienda...** Usar una esponja de alambre para limpiar tu fregadero. Las esponjas de alambre tienden a romperse y pequeñas partículas de acero pueden insertarse en la superficie del fregadero. Las partículas de acero se oxidarán y darán la apariencia de que el fregadero se está oxidando.
- **No Se Recomienda...** Usar limpiadores o almohadillas abrasivas, ya que dañarán la superficie.
- **No Se Recomienda...** Dejar esponjas, paños, o almohadillas de limpieza húmedas en el fregadero. Esto podría provocar que la superficie se oxide.

Seguir estas recomendaciones para el cuidado y la limpieza de tu fregadero de acero inoxidable asegurará que te brindará muchos años de servicio.

## Cloruros

En la actualidad, la mayoría de los jabones, detergentes, blanqueadores y limpiadores contienen cloruros; estos son muy agresivos para el acero inoxidable. Sin embargo, los cloruros son muy solubles en agua. Por lo tanto, ENJUAGAR ABUNDANTEMENTE tu fregadero después de cada uso para quitar cualquier residuo de cloruro, y pulirlo una vez a la semana es todo lo que se necesita para mantener el fregadero brillante y reluciente.

## Calidad del agua

La calidad del agua puede afectar la apariencia de tu fregadero. Si el agua tiene un gran contenido de hierro, una mancha superficial marrón puede formarse en el fregadero, dando la apariencia de óxido. Adicionalmente, en áreas con una gran concentración de minerales, o con agua demasiado suave, una película blanca puede formarse en el fregadero. Para combatir estos problemas, sugerimos secar con toalla el fregadero después de usarlo.

## Decoloración, Óxido y Posibles Picaduras

Las esponjas húmedas, paños, almohadillas de limpieza y tapetes de goma que se dejen en el fregadero pueden causar decoloración. Las esponjas de alambre nunca deben usarse para limpiar tu fregadero, porque dejan pequeñas partículas de hierro en las líneas de la veta, las que pueden oxidarse y dañar el fregadero. El uso continuo de esta manera puede provocar finalmente que el fregadero se oxide y se pique.

## Jabón líquido

No permitas que el detergente líquido concentrado se seque sobre tu fregadero. La mayoría de las marcas contienen aditivos químicos que afectarán el acabado original.

## Manchas

La calidad del agua puede afectar la apariencia de tu fregadero. En áreas con agua dura, una mancha superficial marrón puede formarse en el fregadero, dando la apariencia de óxido. Este fenómeno también ocurre en agua con alto contenido de hierro. Adicionalmente, en áreas con una gran concentración de minerales, o con agua demasiado suave, una película blanca puede formarse en el fregadero. Para combatir este problema, sugerimos secar con toalla el fregadero después de usarlo.

## Alimentos

La alta concentración de sal o los alimentos con alto contenido de sal no deben dejarse secar en la superficie del fregadero. Enjuaga tu fregadero abundantemente después de usarlo.

## GARANTÍA LIMITADA DE POR VIDA DE ELKAY PARA EL FREGADERO

Elkay garantiza al comprador original de un fregadero Elkay de acero inoxidable que Elkay, a su criterio, reparará o reemplazará, sin cargo alguno, dicho producto si presenta defectos de fabricación durante toda una vida de uso residencial normal. El reemplazo del producto no incluye los costos de transporte ni de la mano de obra de instalación. Esta garantía sólo cubre los fregaderos empotrados con rebordes, de acero inoxidable instalados en un mostrador convencional y los fregaderos de acero inoxidable instalados en un mostrador convencional de superficie sólida, además, sólo se aplica a instalaciones residenciales. Elkay se reserva el derecho de examinar el producto en cuestión y su instalación antes de reemplazarlo.

### LOS ACCESORIOS Y ACOPLAMIENTOS DEL DESAGÜE NO ESTÁN GARANTIZADOS

### OTRAS CONDICIONES DE LA GARANTÍA DE FREGADEROS

Esta garantía cubre los fregaderos comprados después del 1ro de marzo de 2001, según la fecha registrada en los recibos del comprador. Los fregaderos comprados antes del 1ro de marzo están cubiertos por la garantía vigente en la fecha de compra. Nuestra garantía no cubre la falla o daño del producto causado por: uso de accesorios opcionales de Elkay, uso abusivo e inapropiado, factores ambientales, desgaste normal incluyendo arañazos y abolladuras, limpieza y cuidado inapropiados, uso de limpiadores agresivos y abrasivos, daños debidos al manejo o errores al seguir los procedimientos recomendados de instalación, cuidado y mantenimiento detallados en la guía de instalación y cuidado, adjunta a cada fregadero. Esta garantía se extiende únicamente al comprador y usuario original del producto. La garantía no cubre costos de transporte, mano de obra o cualquier otro costo por conceptos tales como la instalación o reemplazo del fregadero, diagnóstico o reemplazo de cualquier grifo o pieza ni cualquier otra pérdida o gasto. Esta garantía no cubre productos obsoletos, descontinuados o en exhibición, si tales artículos se compran en tiendas de descuento y/o en internet o se venden en rebaja o liquidación.

**Todos los daños directos o indirectos quedan específicamente excluidos. No se ofrecen otras garantías adicionales, expresas o implícitas, incluyendo, pero no limitándose a, cualquier garantía implícita de comerciabilidad o idoneidad para un propósito en particular.**

Algunos Estados no permiten la exclusión o limitación de daños directos o indirectos, ni límites a la duración de una garantía implícita; por lo tanto las exclusiones o limitaciones anteriores pueden no ser pertinentes en su caso.

Esta garantía le otorga a usted derechos legales específicos, y usted puede también tener otros derechos, que varían según el estado.

### PARA OBTENER SERVICIO BAJO ESTA GARANTÍA

1. Escriba a: Elkay Manufacturing Company  
Atención: Consumer Services  
2222 Camden Court  
Oak Brook, IL 60523
2. Incluya una carta que contenga la siguiente información:
  - a. Fecha de compra e instalación
  - b. Comprobante de Compra (copia de la factura original fechada)
  - c. Descripción del defecto
  - d. Número de modelo o descripción del modelo y/o pieza si es posible