



LED PUCK

ACCENT LED LIGHTING

The sleekness of this LED Puck design makes it the right choice for cabinet and kitchen lighting applications. It can be dimmed to provide just the right ambience in your decor.



KEY FEATURES

- Surface and recessed mounting
- Low-profile design
- Dimmable

MODEL

LEDRDP18 1.4W single puck, 3000°K, 97 Lumens

SPECIFICATIONS

- 12V DC LED driver required.
- Over 50,000 hours of service life.
- 12" (30 cm) input lead with quick connector.
- 24" (61 cm) interconnection harness included.
- Warm white light output.
- Superior LED performance and lifespan.
- Smooth 360°-wide spread.
- Minimal heat emission.
- Surface adapter included.
- Frosted lens.
- Dimmable with most low-voltage electronic dimmers when used with DALI dimming power supply.

INSTALLATION

- For recess or surface installation, in any direction.
- Ideal for accent lighting inside or under any cabinet, shelf or display.
- A variety of power supplies and installation accessories available.

FINISH

WH White

POWER SUPPLIES — PLUG-IN

ETR-LED10WPI 12VDC/10W class 2 LED driver

ETR-LED24WPI 12VDC/24W class 2 LED driver

POWER SUPPLIES — HARD-WIRED

BT06DIMLED-IC 6W dimmable LED hardwire driver

BT12DIMLED-IC 12W dimmable LED hardwire driver

BT24DIMLED-IC 24W dimmable LED hardwire driver

BT36DIMLED 36W dimmable LED hardwire driver

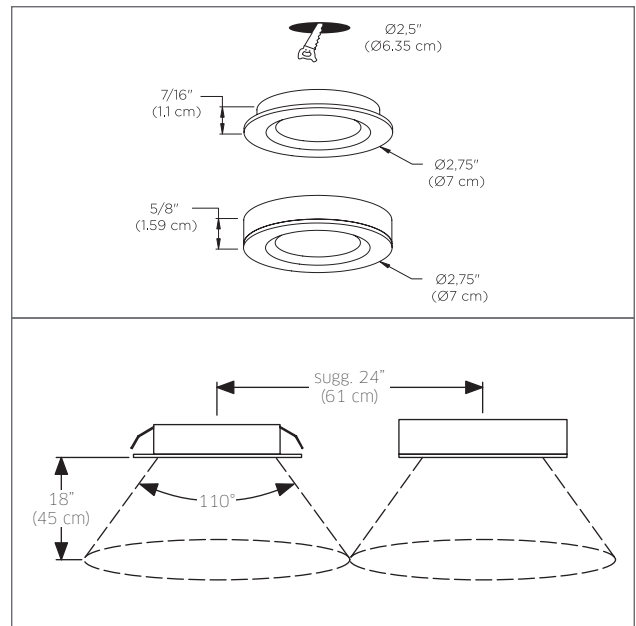
BT48DIMLED 48W dimmable LED hardwire driver

ACCESSORIES

4000E-24 24" (61 cm) extension cord

4000E-60 60" (152.4 cm) extension cord

4000HRNS-24 24" (61 cm) interconnection harness



ORDERING EXAMPLE

LEDRDP18

Would order a LEDRDP18 single puck with a 1.4W LED array with 97 Lumens at 3000°K in a white finish.