

**PRODUCT SPECIFICATIONS**

Elkay Stainless Steel 31" x 19.5" x 10-1/2", Wall Hung Single Bowl Hand Wash Sink Kit. Sink is manufactured from 14 gauge 304 Stainless Steel with a Buffed Satin finish, Center drain placement.

<b>Material:</b>	304 Stainless Steel
<b>Finish:</b>	Buffed Satin
<b>Gauge:</b>	14
<b>Number of Bowls:</b>	1
<b>Sink Dimensions:</b>	31" x 19-1/2" x 24-3/8"
<b>Bowl 1 Dimensions:</b>	28" x 16" x 10-1/2"
<b>Drain Size:</b>	3-1/2" (89mm)
<b>Drain Location:</b>	Center



**Included with Product:** EWS3120 sink and one LKB722C sensor faucet with AC plug-in / 4 AA batteries, one LK723 thermostatic mixing valve

▼ **Ships in multiple boxes.**

**AMERICAN PRIDE. A LIFETIME TRADITION.**  
Like your family, the Elkay family has values and traditions that endure. For almost a century, Elkay has been a family-owned and operated company, providing thousands of jobs that support our families and communities.



**Product Compliance:** ASME A112.19.3/CSA B45.4  
BUY AMERICAN ACT  
**Faucet:** ADA & ICC A117.1  
ASME A112.18.1/CSA B125.1  
NSF 61  
NSF 372 (lead free)  
**Accessory:** ASME A112.18.2/CSA B125.2



Sinks are listed by IAPMO<sup>®</sup> as meeting the applicable requirements of the Uniform Plumbing Code<sup>®</sup>, International Plumbing Code<sup>®</sup>, and National Plumbing Code of Canada.

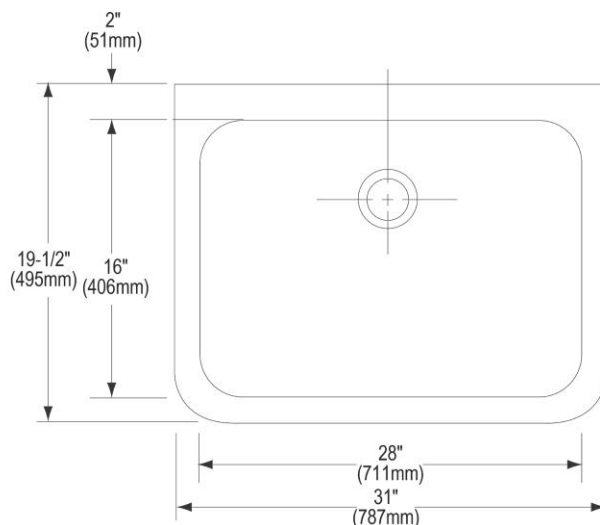


Faucet complies with ADA & ICC A117.1 accessibility requirements when installed according to the requirements outlined in these standards.

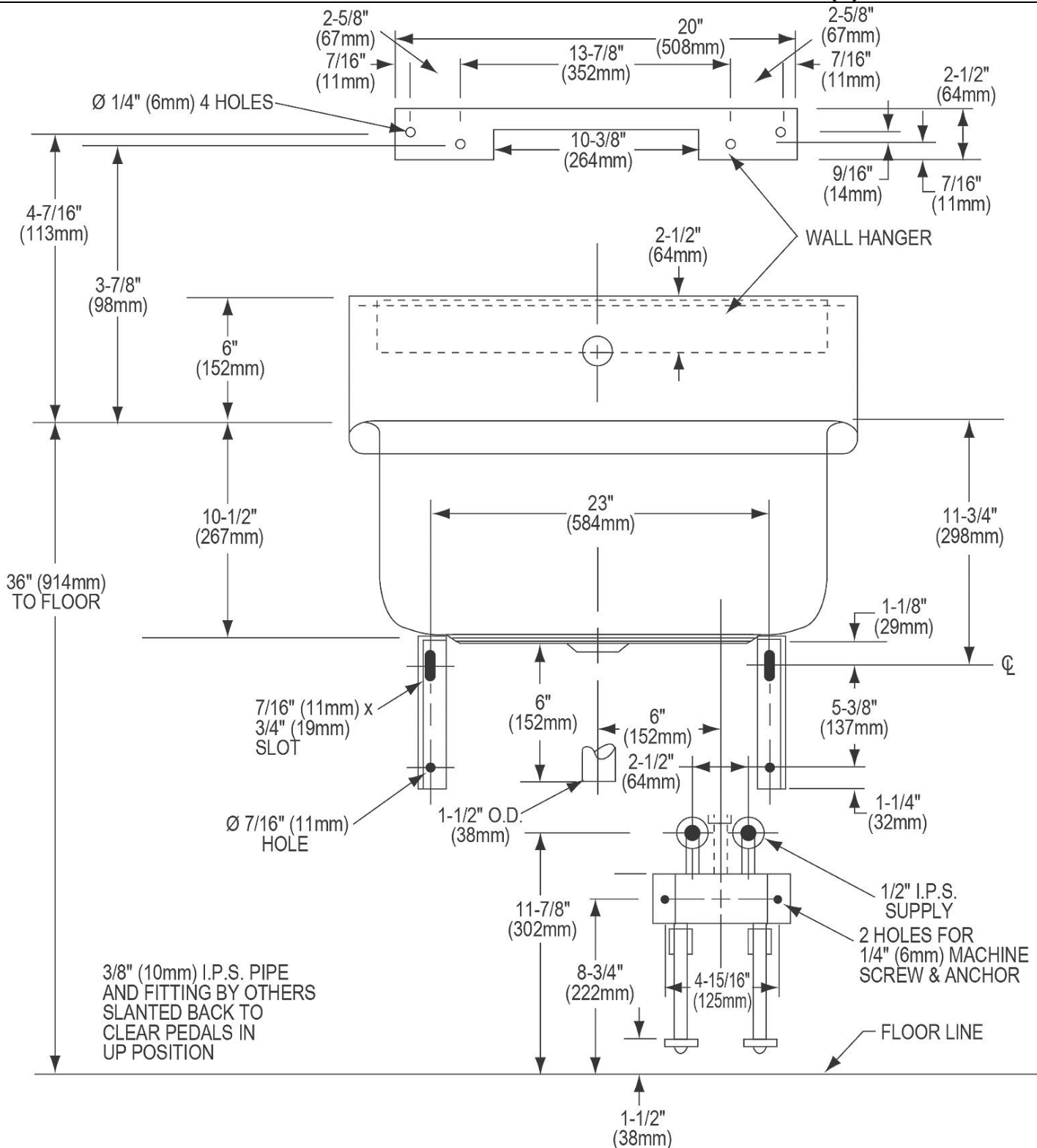
- [Clean and Care Manual \(PDF\)](#)
- [Installation Instructions \(PDF\) - 74210010](#)
- [Installation Instructions \(PDF\) - 98517C](#)
- [Limited Warranty \(PDF\)](#)

PART: \_\_\_\_\_ QTY: \_\_\_\_\_  
PROJECT: \_\_\_\_\_  
CONTACT: \_\_\_\_\_  
DATE: \_\_\_\_\_  
NOTES: \_\_\_\_\_  
APPROVAL: \_\_\_\_\_

*In keeping with our policy of continuing product improvement, Elkay reserves the right to change product specifications without notice. Please visit [elkay.com](http://elkay.com) for the most current version of Elkay product specification sheets. This specification describes an Elkay product with design, quality, and functional benefits to the user. When making a comparison of other producers' offerings, be certain these features are not overlooked.*



*In keeping with our policy of continuing product improvement, Elkay reserves the right to change product specifications without notice. Please visit [elkay.com](http://elkay.com) for the most current version of Elkay product specification sheets. This specification describes an Elkay product with design, quality, and functional benefits to the user. When making a comparison of other producers' offerings, be certain these features are not overlooked.*



In keeping with our policy of continuing product improvement, Elkay reserves the right to change product specifications without notice. Please visit [elkay.com](http://elkay.com) for the most current version of Elkay product specification sheets. This specification describes an Elkay product with design, quality, and functional benefits to the user. When making a comparison of other producers' offerings, be certain these features are not overlooked.

**PRODUCT SPECIFICATIONS**

Elkay Commercial Electronic Sensor Scrub/Handwash Battery Powered Wall Mount Faucet Chrome. Faucet has a flow rate of 1.5 GPM, and is made of Chrome-plated Brass material, with a Electronic Control Module valve. Faucet requires 1 faucet holes.

<b>Mounting Type:</b>	Wall Mount
<b>Special Features:</b>	Solid Brass Construction Hands Free Sensor Activated
<b>Finish:</b>	Chrome (CR)
<b>Handle Type:</b>	Sensor Operated (Hands Free)
<b>Deck Clearance:</b>	6-5/8"
<b>Spout Reach:</b>	7-1/2"
<b>Spout Height:</b>	10-7/8"
<b>Hole Drillings:</b>	1
<b>Material:</b>	Chrome-plated Brass
<b>Valve Type:</b>	Electronic Control Module
<b>Valve Connection:</b>	1/2" NPT Female
<b>Flow Rate:</b>	1.5 GPM
<b>Spout Swing Rotation:</b>	0°
<b>Spout Type:</b>	Fixed Spout

**Special Note:** in-line filter with clean out trap and flexible supply hose.



Chrome (CR)



**Included with Product:** AC plug-in and battery holder with 4 AA batteries pre-installed

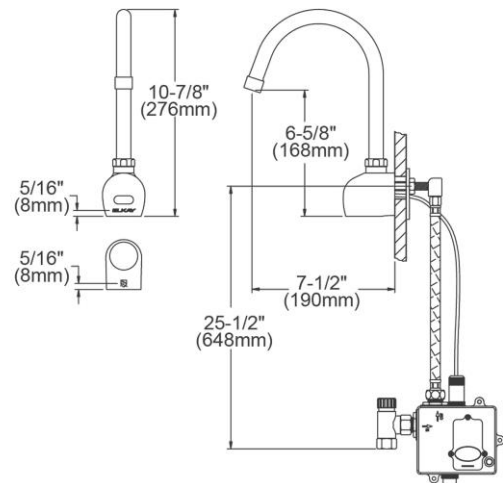
AMERICAN PRIDE. A LIFETIME TRADITION. Like your family, the Elkay family has values and traditions that endure. For almost a century, Elkay has been a family-owned and operated company, providing thousands of jobs that support our families and communities.

**Product Compliance:** ADA & ICC A117.1  
ASME A112.18.1/CSA B125.1  
NSF 61  
NSF 372 (lead free)



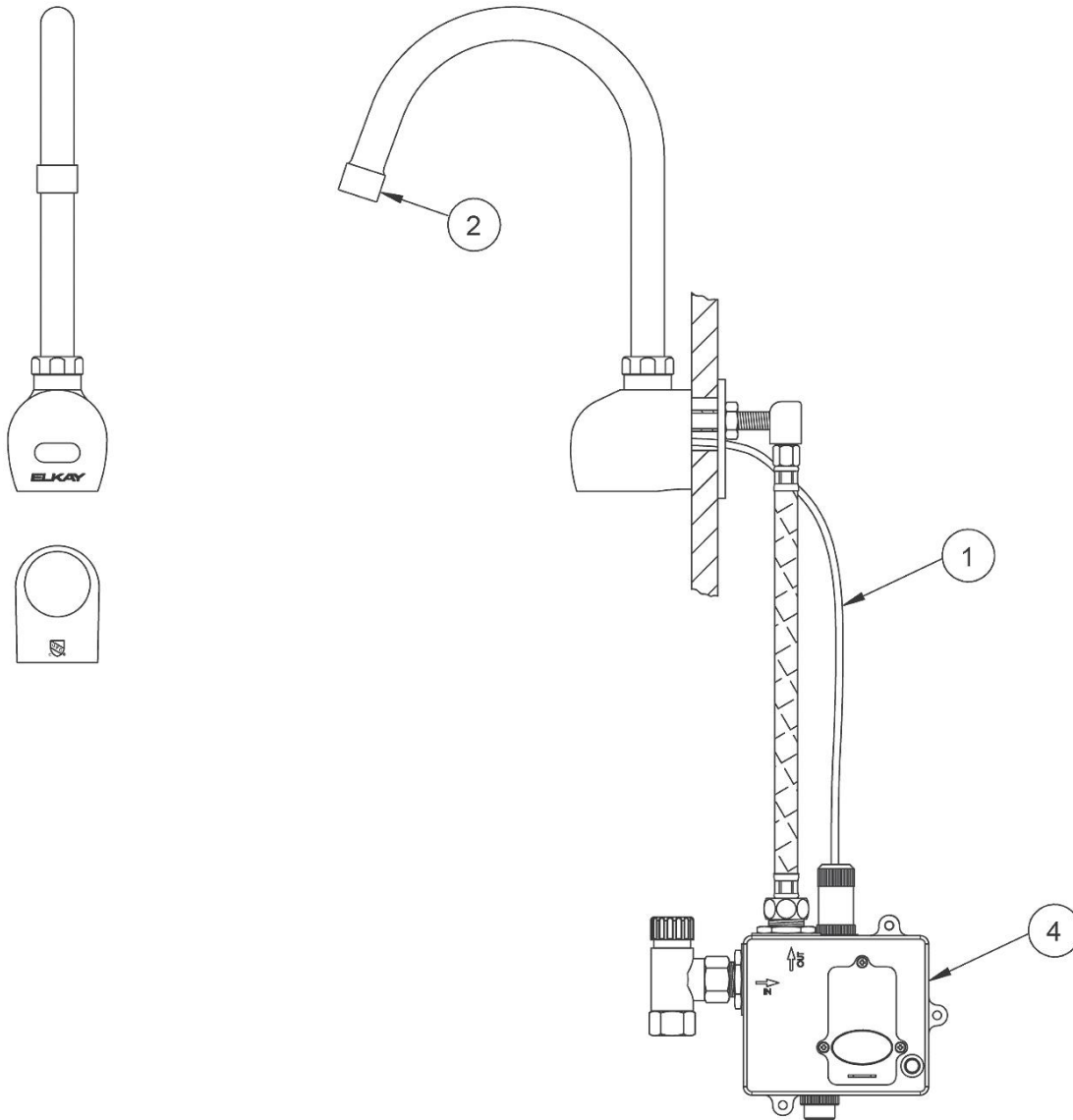
Complies with ADA & ICC A117.1 accessibility requirements when installed according to the requirements outlined in these standards.

[Clean and Care Manual \(PDF\)](#)  
[Installation Instructions \(PDF\)](#)  
[Limited Warranty \(PDF\)](#)



PART: \_\_\_\_\_ QTY: \_\_\_\_\_  
PROJECT: \_\_\_\_\_  
CONTACT: \_\_\_\_\_  
DATE: \_\_\_\_\_  
NOTES: \_\_\_\_\_  
APPROVAL: \_\_\_\_\_

*In keeping with our policy of continuing product improvement, Elkay reserves the right to change product specifications without notice. Please visit [elkay.com](http://elkay.com) for the most current version of Elkay product specification sheets. This specification describes an Elkay product with design, quality, and functional benefits to the user. When making a comparison of other producers' offerings, be certain these features are not overlooked.*



ITEM	PART NUMBER	PART DESCRIPTION
1	98567C	SENSOR ASSEMBLY
2	98542C	AERATOR ASSEMBLY
3	1000003975	POWER ADAPTER (NOT SHOWN)
4	1000003976	CONTROL BOX

*In keeping with our policy of continuing product improvement, Elkay reserves the right to change product specifications without notice. Please visit [elkay.com](http://elkay.com) for the most current version of Elkay product specification sheets. This specification describes an Elkay product with design, quality, and functional benefits to the user. When making a comparison of other producers' offerings, be certain these features are not overlooked.*