

**PRODUCT SPECIFICATIONS**

Elkay Stainless Steel 25" x 19.5" x 10-1/2", Wall Hung Single Bowl Hand Wash Sink Kit. Sink is manufactured from 14 gauge 304 Stainless Steel with a Buffed Satin finish, Rear Center drain placement.

|                           |                         |
|---------------------------|-------------------------|
| <b>Material:</b>          | 304 Stainless Steel     |
| <b>Finish:</b>            | Buffed Satin            |
| <b>Gauge:</b>             | 14                      |
| <b>Number of Bowls:</b>   | 1                       |
| <b>Sink Dimensions:</b>   | 25" x 19-1/2" x 24-3/8" |
| <b>Bowl 1 Dimensions:</b> | 22" x 16" x 10-1/2"     |
| <b>Drain Size:</b>        | 3-1/2" (89mm)           |
| <b>Drain Location:</b>    | Rear Center             |



**Included with Product:** EWS2520 sink and one LK940GN05T6H faucet

▼ **Ships in multiple boxes.**

AMERICAN PRIDE. A LIFETIME TRADITION. Like your family, the Elkay family has values and traditions that endure. For almost a century, Elkay has been a family-owned and operated company, providing thousands of jobs that support our families and communities.



**Product Compliance:** ASME A112.19.3/CSA B45.4  
BUY AMERICAN ACT  
**Faucet:** ADA & ICC A117.1  
ASME A112.18.1/CSA B125.1  
NSF 61  
NSF 372 (lead free)  
**Accessory:** ASME A112.18.2/CSA B125.2

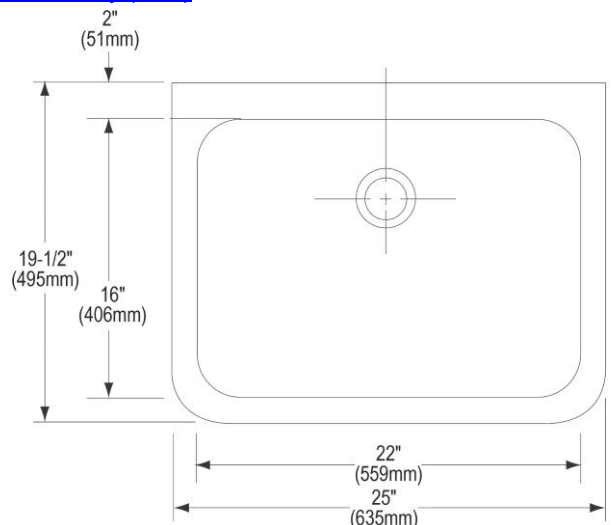


Sinks are listed by IAPMO<sup>®</sup> as meeting the applicable requirements of the Uniform Plumbing Code<sup>®</sup>, International Plumbing Code<sup>®</sup>, and National Plumbing Code of Canada.



Faucet complies with ADA & ICC A117.1 accessibility requirements when installed according to the requirements outlined in these standards.

[Clean and Care Manual \(PDF\)](#)  
[Installation Instructions \(PDF\) - 74210010](#)  
[Installation Instructions \(PDF\) - 98517C](#)  
[Limited Warranty \(PDF\)](#)



PART: \_\_\_\_\_ QTY: \_\_\_\_\_  
PROJECT: \_\_\_\_\_  
CONTACT: \_\_\_\_\_  
DATE: \_\_\_\_\_  
NOTES: \_\_\_\_\_  
APPROVAL: \_\_\_\_\_

*In keeping with our policy of continuing product improvement, Elkay reserves the right to change product specifications without notice. Please visit [elkay.com](http://elkay.com) for the most current version of Elkay product specification sheets. This specification describes an Elkay product with design, quality, and functional benefits to the user. When making a comparison of other producers' offerings, be certain these features are not overlooked.*



**PRODUCT SPECIFICATIONS**

Elkay Scrub/Handwash 8" Centerset Wall Mount Faucet w/5" Gooseneck Spout 6" Wristblade Handles 1/2in Offset Inlet. Faucet has a flow rate of 1.5 GPM, and is made of Chrome Plated Brass material, with a Quarter Turn Ceramic Disc valve. Faucet requires 2 faucet holes.

|                            |   |
|----------------------------|---|
| <b>Mounting Type:</b>      | Wall Mount  |
| <b>Special Features:</b>   | Low Flow<br>Solid Brass Construction<br>Spout swing restriction pin<br>1/2" adjustable inlets |
| <b>Finish:</b>             | Chrome (CR)   |
| <b>Handle Type:</b>        | 6" Wristblade Handle  |
| <b>Deck Clearance:</b>     | 7-3/8"  |
| <b>Spout Reach:</b>        | 5-1/8"  |
| <b>Spout Height:</b>       | 11"   |
| <b>Hole Drillings:</b>     | 2   |
| <b>Material:</b>           | Chrome Plated Brass   |
| <b>Valve Type:</b>         | Quarter Turn Ceramic Disc   |
| <b>Valve Connection:</b>   | 1/2" NPT Female   |
| <b>Flow Rate:</b>          | 1.5 GPM   |
| <b>Faucet Hole Spread:</b> | 8   |
| <b>Spout Type:</b>         | Gooseneck   |

**Special Note:** 1.5 GPM VR aerator installed with 2.2 and .5 GPM inserts included



Chrome (CR)



AMERICAN PRIDE. A LIFETIME TRADITION.  
Like your family, the Elkay family has values and traditions that endure. For almost a century, Elkay has been a family-owned and operated company, providing thousands of jobs that support our families and communities.

**Product Compliance:** ADA & ICC A117.1  
ASME A112.18.1/CSA B125.1  
NSF 61  
NSF 372 (lead free)

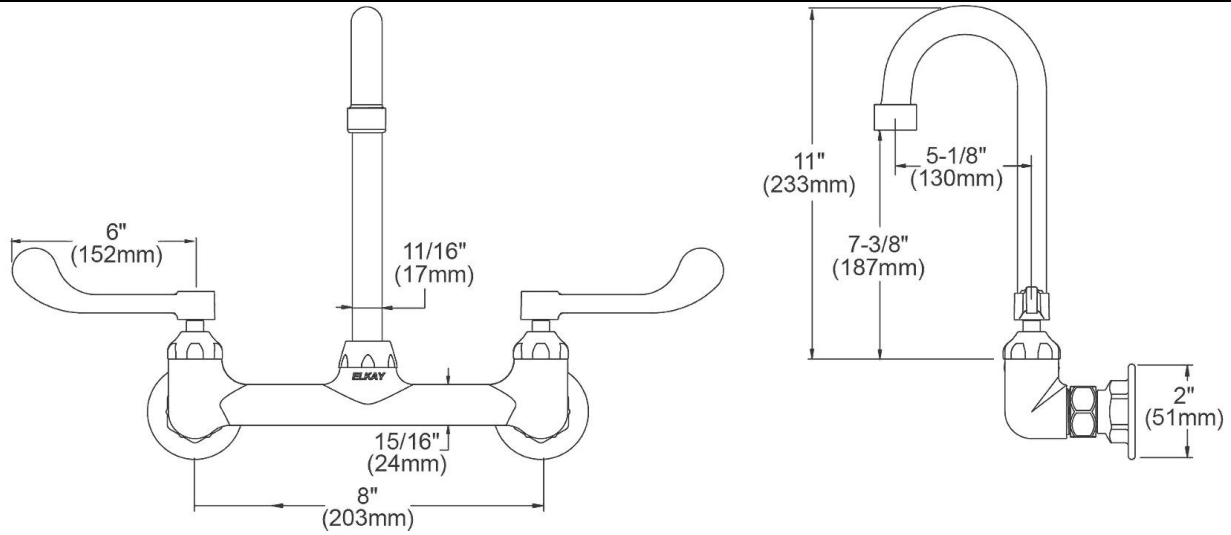


Complies with ADA & ICC A117.1 accessibility requirements when installed according to the requirements outlined in these standards.

[Clean and Care Manual \(PDF\)](#)  
[Installation Instructions \(PDF\)](#)  
[Limited Warranty \(PDF\)](#)

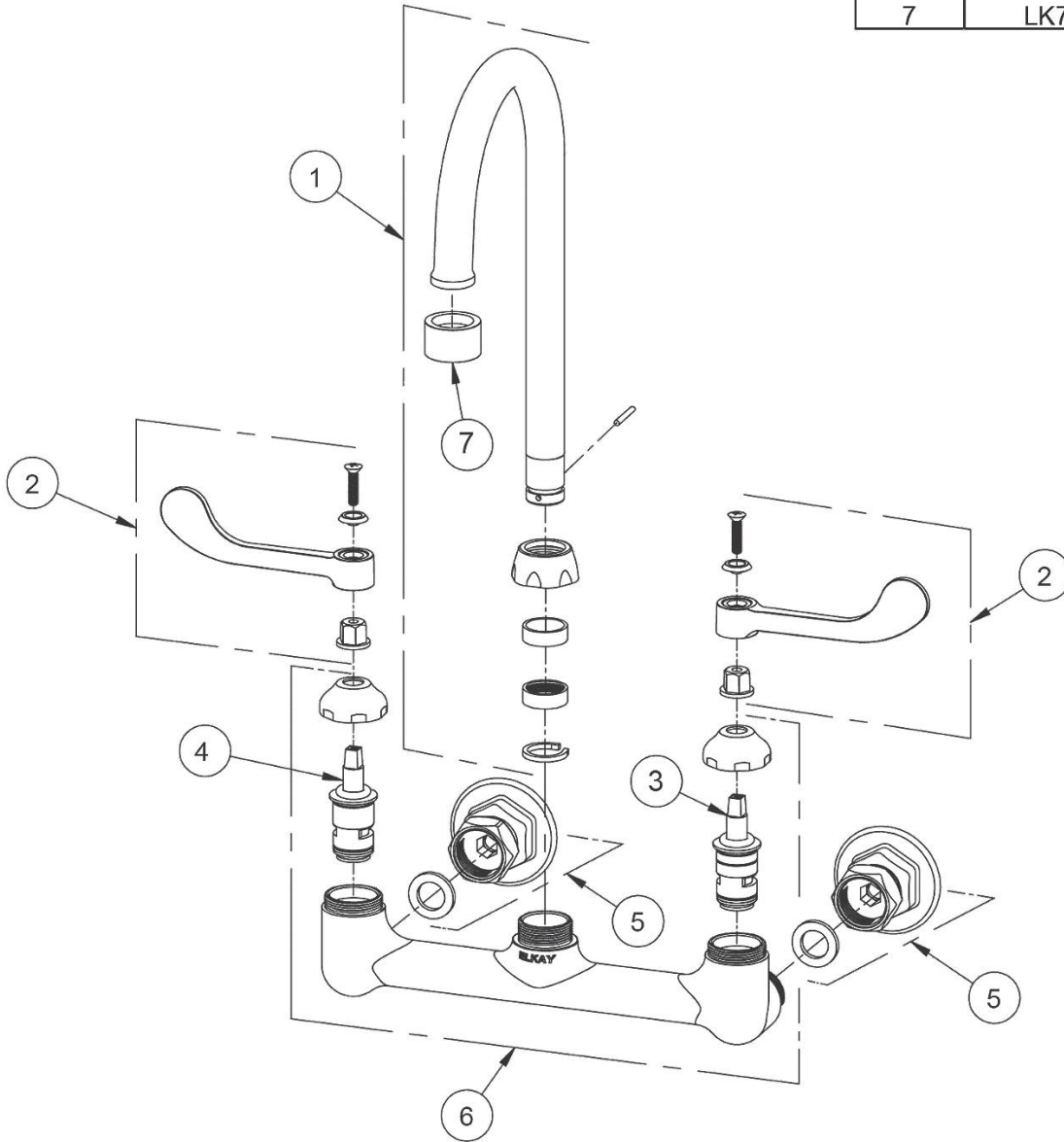
PART: \_\_\_\_\_ QTY: \_\_\_\_\_  
PROJECT: \_\_\_\_\_  
CONTACT: \_\_\_\_\_  
DATE: \_\_\_\_\_  
NOTES: \_\_\_\_\_  
APPROVAL: \_\_\_\_\_

*In keeping with our policy of continuing product improvement, Elkay reserves the right to change product specifications without notice. Please visit [elkay.com](http://elkay.com) for the most current version of Elkay product specification sheets. This specification describes an Elkay product with design, quality, and functional benefits to the user. When making a comparison of other producers' offerings, be certain these features are not overlooked.*



*In keeping with our policy of continuing product improvement, Elkay reserves the right to change product specifications without notice. Please visit [elkay.com](http://elkay.com) for the most current version of Elkay product specification sheets. This specification describes an Elkay product with design, quality, and functional benefits to the user. When making a comparison of other producers' offerings, be certain these features are not overlooked.*

| ITEM | IND. PART | DESCRIPTION           |
|------|-----------|-----------------------|
| 1    | A55401    | Spout                 |
| 2    | 45920C    | Handle, 6"            |
| 3    | 45923C    | Right Cold Cartridge  |
| 4    | 45924C    | Left Hot Cartridge    |
| 5    | A55413    | 1/2" Adjustable Inlet |
| 6    | 45912C    | Body                  |
| 7    | LK734     | 2.2 GPM VR Aerator    |



In keeping with our policy of continuing product improvement, Elkay reserves the right to change product specifications without notice. Please visit [elkay.com](http://elkay.com) for the most current version of Elkay product specification sheets. This specification describes an Elkay product with design, quality, and functional benefits to the user. When making a comparison of other producers' offerings, be certain these features are not overlooked.