

PRODUCT SPECIFICATIONS

Elkay Stainless Steel 25" x 19-1/2" x 12", Wall Hung Service Sink Kit.
Sink is manufactured from 14 gauge 304 Stainless Steel with a Buffed Satin finish, .

| | |
|---------------------------|-------------------------|
| Material: | 304 Stainless Steel |
| Finish: | Buffed Satin |
| Gauge: | 14 |
| Number of Bowls: | 1 |
| Sink Dimensions: | 25" x 19-1/2" x 39-3/4" |
| Bowl 1 Dimensions: | 22" x 16" x 12" |
| Drain Size: | 3-1/2" (89mm) |



Included with Product: ESSW2520 sink,
one LKB940C faucet,
one LK173 cast iron P-trap

▼ **Ships in multiple boxes.**

AMERICAN PRIDE. A LIFETIME TRADITION.

Like your family, the Elkay family has values and traditions that endure. For almost a century, Elkay has been a family-owned and operated company, providing thousands of jobs that support our families and communities.

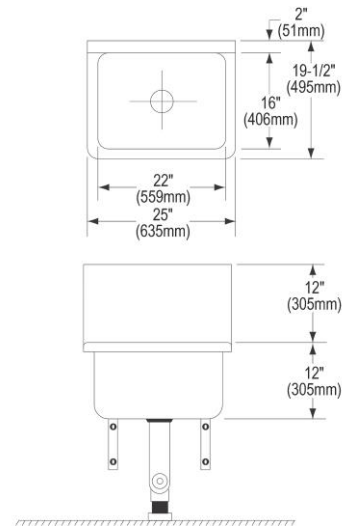


Product Compliance: ASME A112.19.3/CSA B45.4
BUY AMERICAN ACT
Faucet: ADA & ICC A117.1
ASME A112.18.1/CSA B125.1
NSF 61



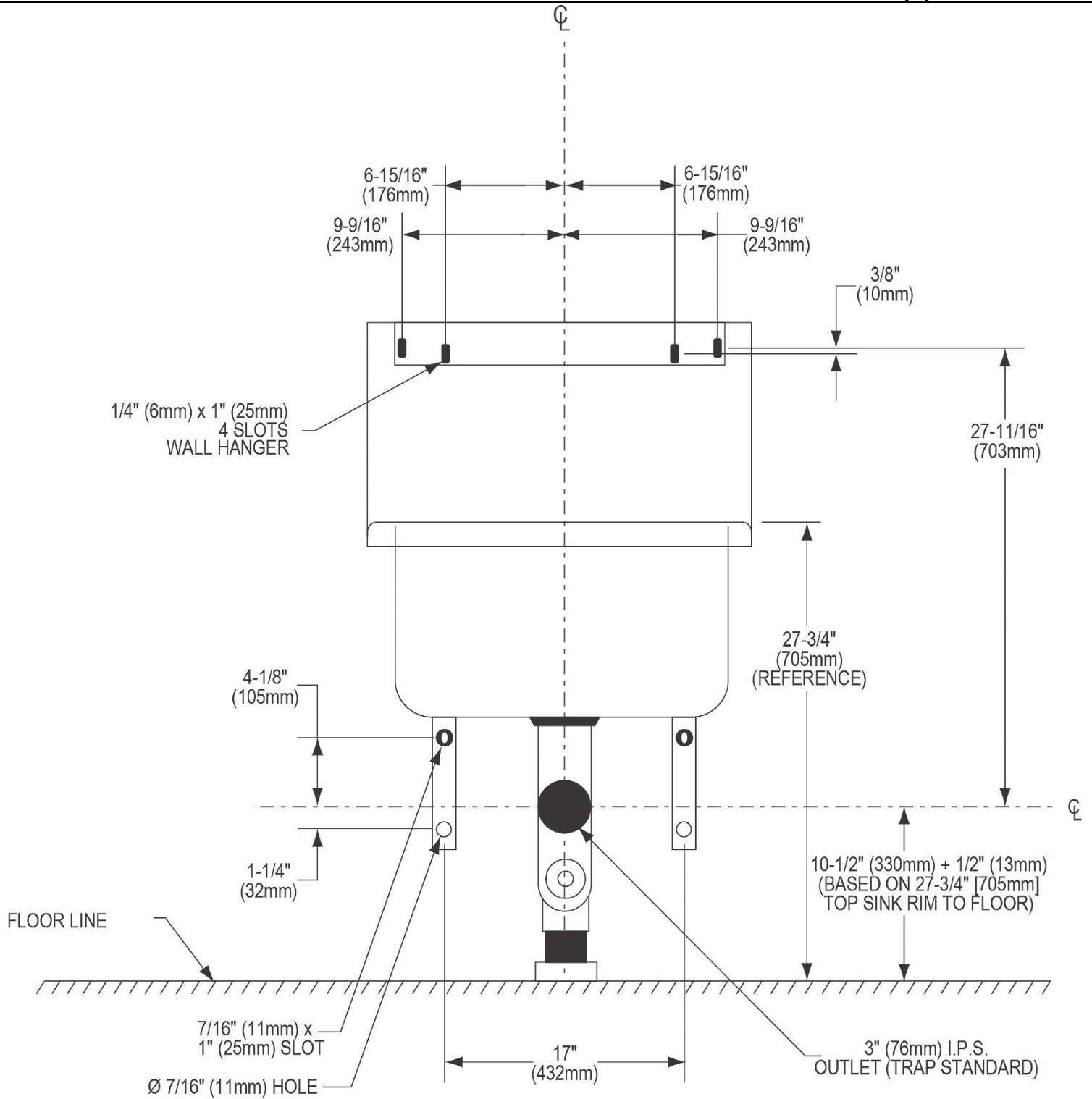
Faucet complies with ADA & ICC A117.1 accessibility requirements when installed according to the requirements outlined in these standards.

[Clean and Care Manual \(PDF\)](#)
[Installation Instructions \(PDF\)](#)
[Limited Warranty \(PDF\)](#)



PART: _____ QTY: _____
PROJECT: _____
CONTACT: _____
DATE: _____
NOTES: _____
APPROVAL: _____

In keeping with our policy of continuing product improvement, Elkay reserves the right to change product specifications without notice. Please visit elkay.com for the most current version of Elkay product specification sheets. This specification describes an Elkay product with design, quality, and functional benefits to the user. When making a comparison of other producers' offerings, be certain these features are not overlooked.



In keeping with our policy of continuing product improvement, Elkay reserves the right to change product specifications without notice. Please visit elkay.com for the most current version of Elkay product specification sheets. This specification describes an Elkay product with design, quality, and functional benefits to the user. When making a comparison of other producers' offerings, be certain these features are not overlooked.

PRODUCT SPECIFICATIONS

Elkay Commercial Service/Utility Wall Mount Faucet with Bucket Hook Rough Chrome. Faucet has a flow rate of 4.0 GPM, and is made of Chrome Plated Brass material, with a Quarter Turn Ceramic Disc valve. Faucet requires 2 faucet holes.

| | |
|------------------------------|---------------------------|
| Mounting Type: | Wall Mount |
| Special Features: | Solid Brass Construction |
| Finish: | Chrome (CR) |
| Handle Type: | 2" Lever Handle |
| Deck Clearance: | 1/2" |
| Spout Reach: | 6-1/2" |
| Spout Height: | 3-7/8" |
| Hole Drillings: | 2 |
| Material: | Chrome Plated Brass |
| Valve Type: | Quarter Turn Ceramic Disc |
| Valve Connection: | 1/2" NPT Female Inlet |
| Flow Rate: | 4.0 GPM |
| Faucet Hole Spread: | 8 |
| Spout Swing Rotation: | 0° |
| Spout Type: | Fixed Spout |

Special Note: Integral supply stops



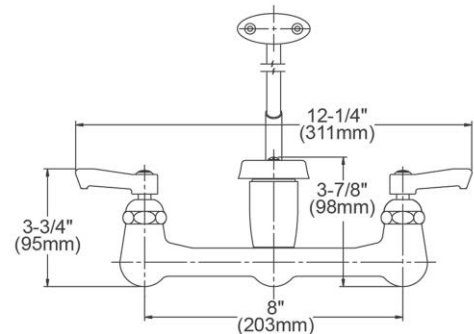
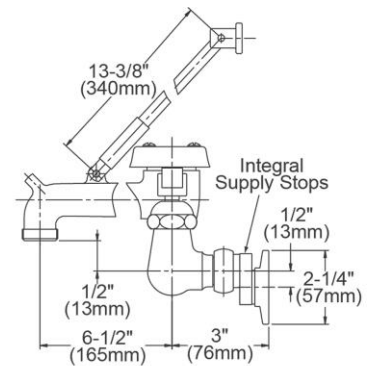
AMERICAN PRIDE. A LIFETIME TRADITION.
Like your family, the Elkay family has values and traditions that endure. For almost a century, Elkay has been a family-owned and operated company, providing thousands of jobs that support our families and communities.

Product Compliance: ADA & ICC A117.1
ASME A112.18.1/CSA B125.1
NSF 61



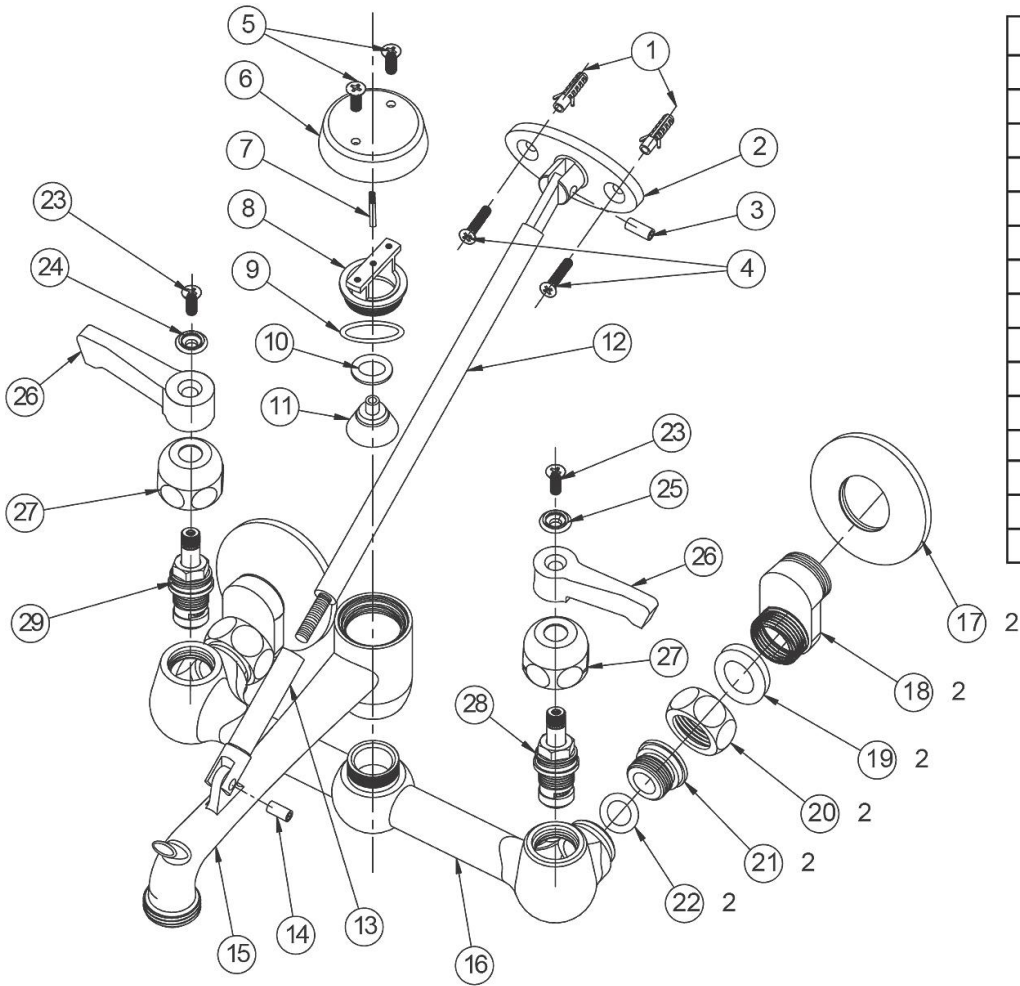
Complies with ADA & ICC A117.1 accessibility requirements when installed according to the requirements outlined in these standards.

[Clean and Care Manual \(PDF\)](#)
[Installation Instructions \(PDF\)](#)
[Limited Warranty \(PDF\)](#)



PART: _____ QTY: _____
 PROJECT: _____
 CONTACT: _____
 DATE: _____
 NOTES: _____
 APPROVAL: _____

In keeping with our policy of continuing product improvement, Elkay reserves the right to change product specifications without notice. Please visit elkay.com for the most current version of Elkay product specification sheets. This specification describes an Elkay product with design, quality, and functional benefits to the user. When making a comparison of other producers' offerings, be certain these features are not overlooked.



| Item No. | Description |
|----------|----------------------|
| 1 | Plug |
| 2 | Brace - Stator |
| 3 | Pin - Long |
| 4 | Screw - Phil Oval HD |
| 5 | Screw - Phil Oval HD |
| 6 | Handle |
| 7 | Leader |
| 8 | Bonnet |
| 9 | "O" Ring |
| 10 | Washer |
| 11 | Seat |
| 12 | Brace |
| 13 | Adapter |
| 14 | Pin - Short |
| 15 | Spout |

| Item No. | Description |
|----------|--|
| 16 | Body |
| 17 | Cap - Wall |
| 18 | Adapter "S" w/ Integral Supply Stops |
| 19 | Washer |
| 20 | Nut |
| 21 | Adapter |
| 22 | "O" Ring |
| 23 | Screw - Phil Oval HD |
| 24 | Ring - Red Mark |
| 25 | Ring - Blue Mark |
| 26 | Handle |
| 27 | Bonnet |
| 28 | Right Handle Cartridge Assembly - 45923C |
| 29 | Left Handle Cartridge Assembly - 45924C |

In keeping with our policy of continuing product improvement, Elkay reserves the right to change product specifications without notice. Please visit elkay.com for the most current version of Elkay product specification sheets. This specification describes an Elkay product with design, quality, and functional benefits to the user. When making a comparison of other producers' offerings, be certain these features are not overlooked.

PRODUCT SPECIFICATIONS

Elkay Adjustable P-Trap with Cast Iron Enameled Inside. Overall dimensions are 9" x 6" x 11-5/8".

| | |
|-------------------------|-------------------|
| Finish: | Chrome (CR) |
| Dimensions: | 9" x 6" x 11-5/8" |
| Shipping Weight: | 19 lbs. |

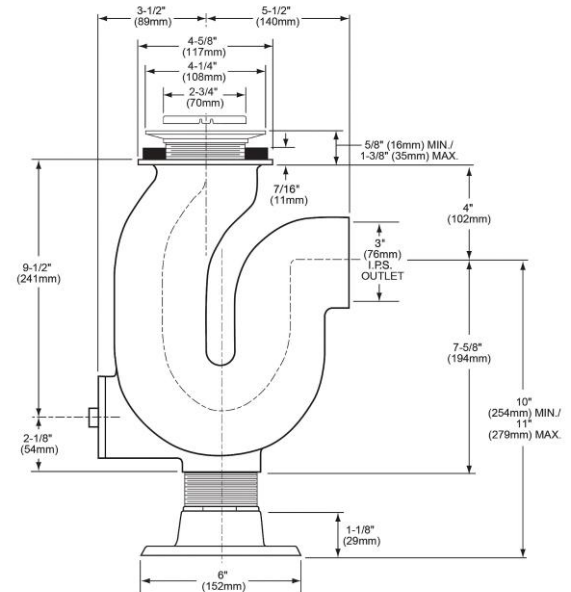
- 3" iron pipe outlet with bronze cleanout plug and floor support flange with adjustable nipple.
- Basket strainer catches food and waste from going down the drain.



AMERICAN PRIDE. A LIFETIME TRADITION.
Like your family, the Elkay family has values and traditions that endure. For almost a century, Elkay has been a family-owned and operated company, providing thousands of jobs that support our families and communities.

[Clean and Care Manual \(PDF\)](#)

[Warranty \(PDF\)](#)



PART: _____ QTY: _____

PROJECT: _____

CONTACT: _____

DATE: _____

NOTES: _____

APPROVAL: _____

In keeping with our policy of continuing product improvement, Elkay reserves the right to change product specifications without notice. Please visit elkay.com for the most current version of Elkay product specification sheets. This specification describes an Elkay product with design, quality, and functional benefits to the user. When making a comparison of other producers' offerings, be certain these features are not overlooked.