

IMPORTANT END USER INFORMATION

Care and Cleaning Instructions

- 1) Never use any cleaner or cleanser based cleaning material on this product.
- 2) Keep the faucet dry! While drying your hands, dry faucet as well. The water in certain parts of the world can be very caustic. Any standing water around the faucet could damage the intrinsic coating, remove it as soon as possible.

Discover why the professional's choice for sinks and faucets is also the right choice to take care of all your home's stainless surfaces and accessories. Visit www.byelkay.com for more information or for a complete list of all domestic showrooms in your area visit www.elkay.com, where to buy.

ELKAY LIMITED FIVE YEAR FAUCET WARRANTY ON COMMERCIAL FAUCETS

Limited Five Year Functional and Finish Warranty

Elkay warrants to the original consumer purchaser that the Elkay faucet will be free from defects and material and workmanship for Five Years from the original installation date. Elkay will, at its option, supply replacement parts (or if no longer available a comparable product) if the faucet fails due to a defect in material or workmanship. This warranty does not apply in the event of produce surface damage caused by abuse, misuse or improper care and maintenance. This warranty excludes damage caused by harsh or abrasive cleaners and/or materials. This warranty includes all industrial, commercial and business use. Products replacement does not include transportation cost or labor installation cost. Elkay reserves the right to examine product in question and its installation prior to replacement.

OTHER WARRANTY CONDITIONS ON FAUCETS

Our warranty does not cover product failure or damage caused by abusive treatment, misuse, environmental factors, improper care and cleaning, or damage due to handling or faulty installations. This warranty is extended only to the original consumer purchaser of the product. This warranty does not cover shipping cost, labor cost, or any other charges for such items as installations or replacement of the sink, diagnosis or replacement of any faucet or component part, or any other expense or loss.

ALL INCIDENTAL OR CONSEQUENTIAL DAMAGES ARE SPECIFICALLY EXCLUDED. NO ADDITIONAL WARRANTIES, EXPRESS OR IMPLIED ARE GIVEN. ANY IMPLIED WARRANTY, INCLUDING ONE OF MERCHANTABILITY OR FITNESS FOR A PARTICULAR PURPOSE, IS LIMITED TO THE DURATION OF THIS WRITTEN WARRANTY.

Some states do not allow the exclusion or limitation of incidental or consequential damages or limitations on how long an implied warranty lasts, so the above limitations or exclusions may not apply to you.

This warranty gives you specific legal rights, and you may also have other rights which vary from state to state.

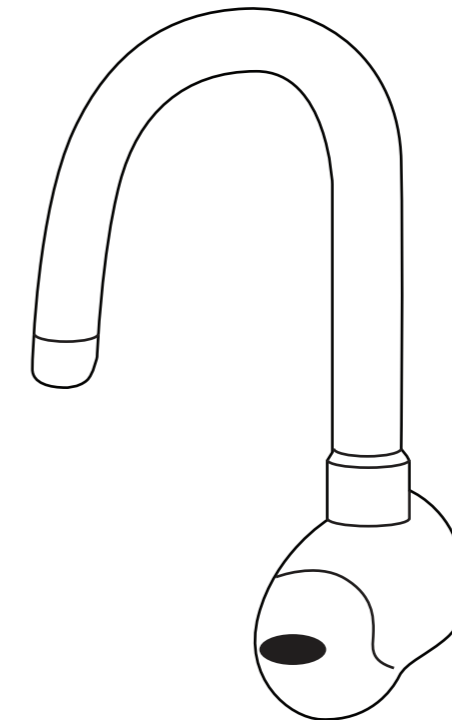
TO OBTAIN SERVICE UNDER WARRANTY

1. Write to:
Elkay
Attention: Consumer Services
2222 Camden Court
Oak Brook, IL 60523
2. Include a letter containing the following information:
 - a. Date of purchase and installation
 - b. Proof of Purchase (copy of original dated invoice)
 - c. Description of nature of defect
 - d. Model number or description of model and/or component part if possible.

ELKAY[®]
commercial
products

Installation Instructions for:

Elkay Electronic Sensor Activated Deck Mounted Lavatory Faucet LKB722C (Battery / AC powered)



SAVE FOR END USER

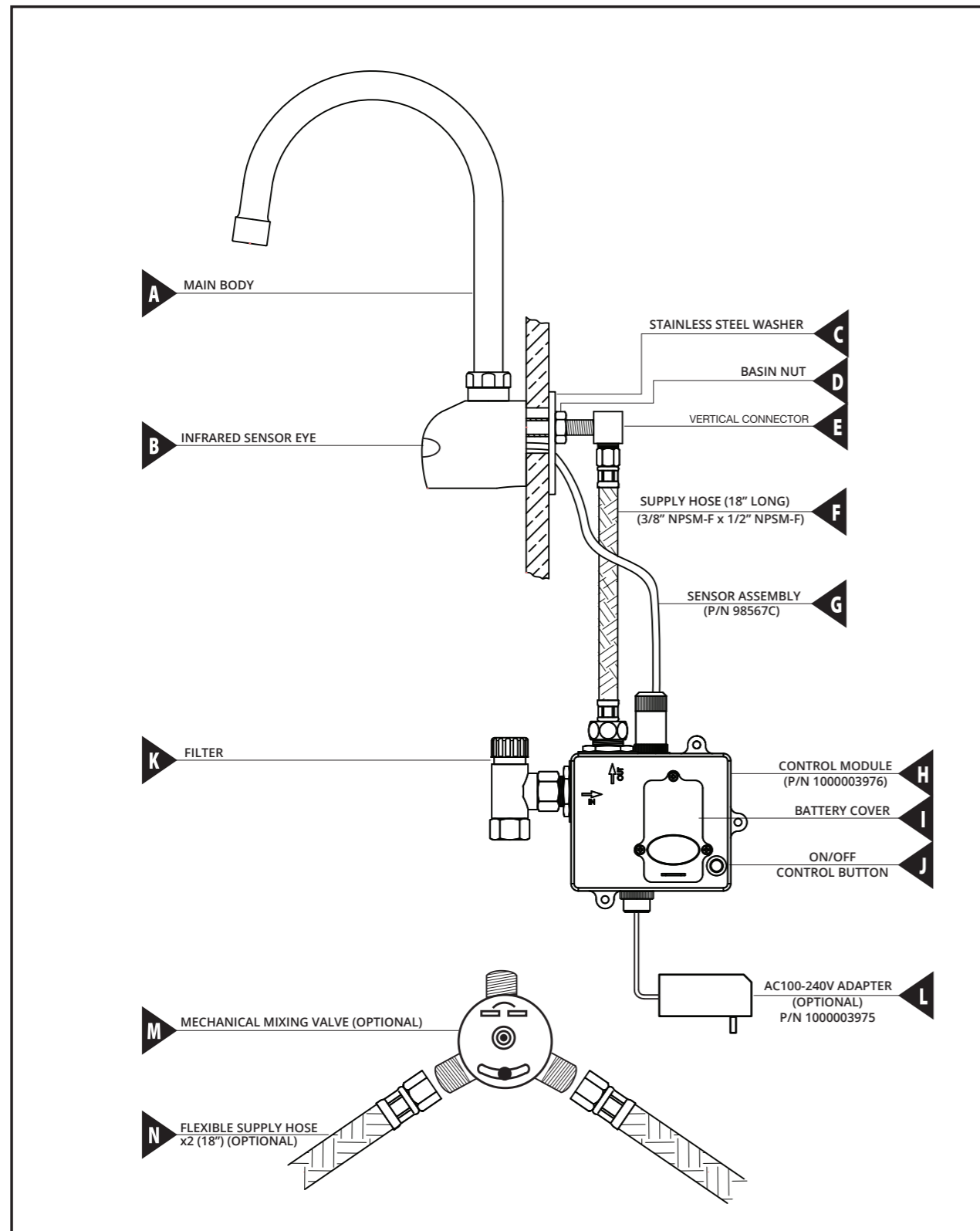
Product Specifications

Power: (a) DC - Alkaline AA Batteries (4); (b) AC/DC alternatively
Water Supply pipe size: NPSM 1/2-14
Working Pressure: 2.8 - 213 psi
Ambient Temp. Range: 36°F - 194°F
Sensing Distance: 7/8" - 6-3/4"
Sensing Range Setup: Digital
Response Time: Default 0.3 sec
Off Delay Time: Default 1 sec
Fresh Battery Life Cycle 400,000
Weak Power indicator: Steady Red LED

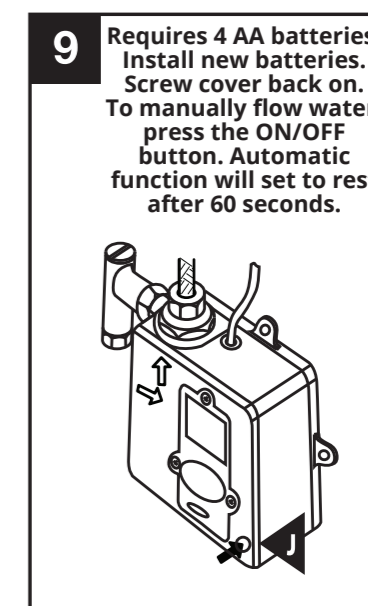
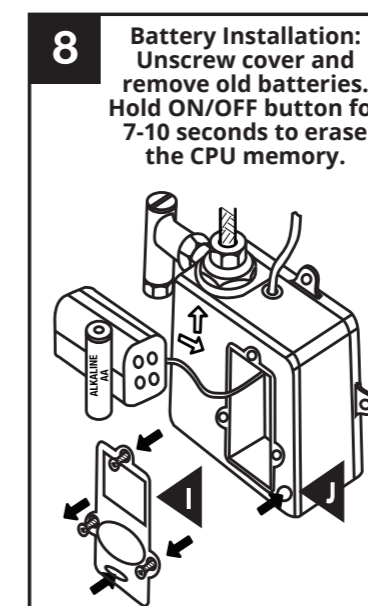
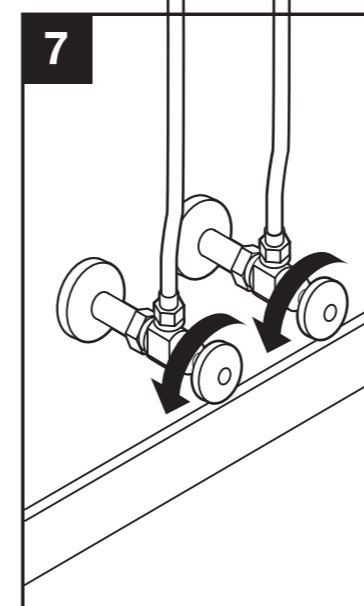
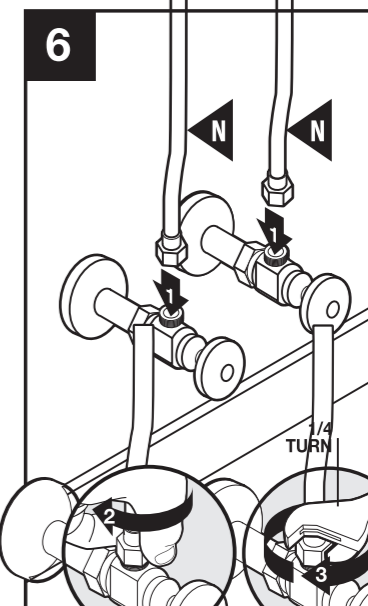
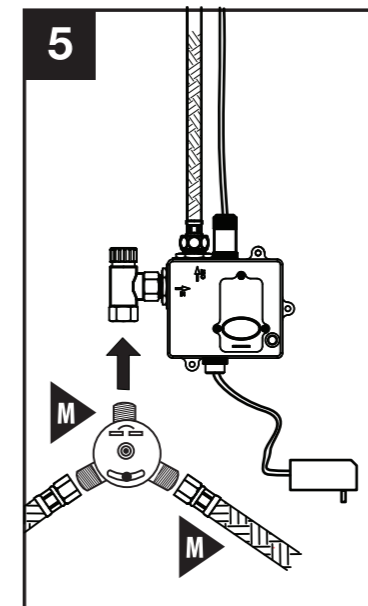
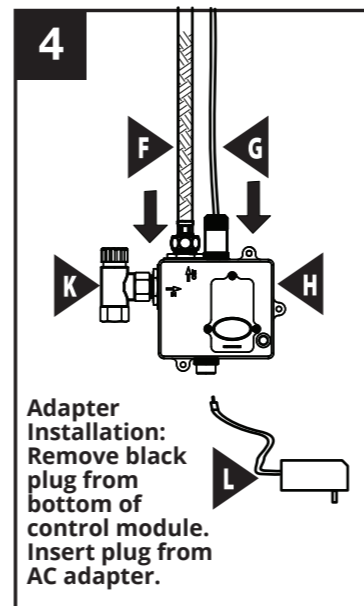
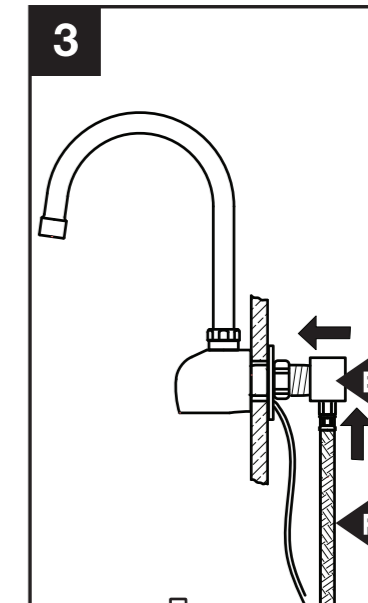
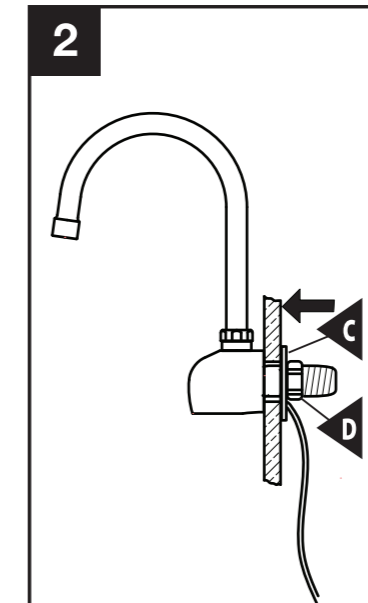
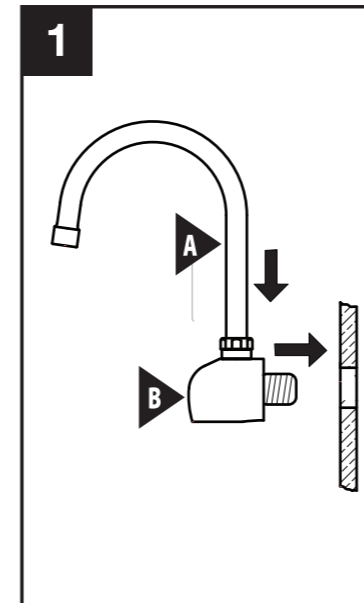
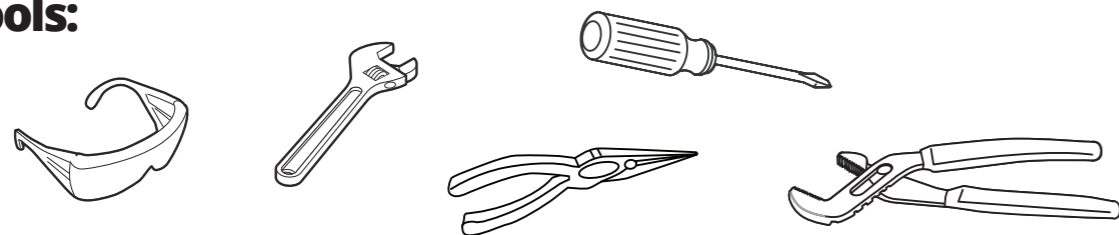
Sensor Range Setup (Default range is preset at 5-1/2")

NOTE - Do not attempt to open control module to adjust sensing range

1. Press and hold On/Off button for 5-7 seconds. Red LED on.
2. Release button. Red LED off.
3. Place hand at desired sensor distance. Sensor will blink as it senses the hand distance before turning solid momentarily to save the new sensor distance.
4. Sensor range is now set.



Tools:



Attention Installer:

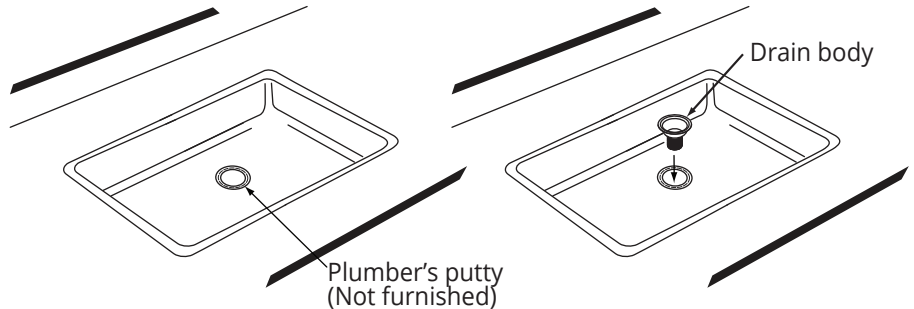
- Elkay is not responsible for improper drain installations.
- Elkay is not responsible for the sink if damaged during installation.
- Follow all local plumbing and building codes.
- Inspect drain for damage prior to beginning installation.

Required Tools (not included)



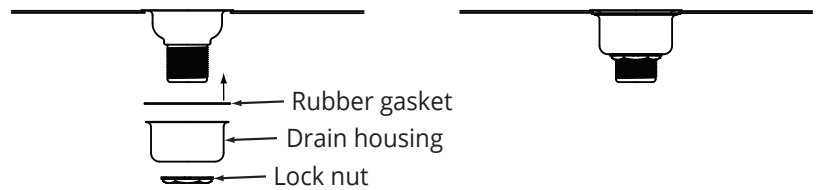
Installation

- 1** Apply plumber's putty or sealant to the top of the sink drain flange area. Place drain body in the the drain opening of the sink.



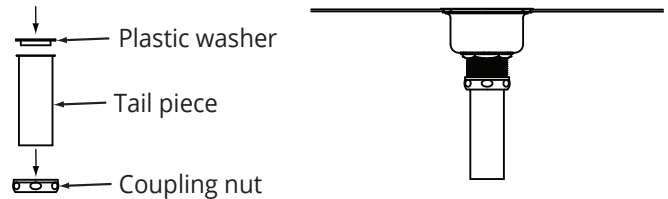
- 2** From the underside of the sink, slide the rubber gasket over the bottom of the drain body till it's flush with the bottom of the sink.

Slide the drain housing over the bottom of the drain body till it's flush with the rubber gasket and the bottom of the sink. Thread on the lock nut until tight with the housing.



- 3** Place the plastic washer inside of the tail piece. Slide the coupling nut over the tail piece.

Thread on the coupling nut onto the drain housing until tight.

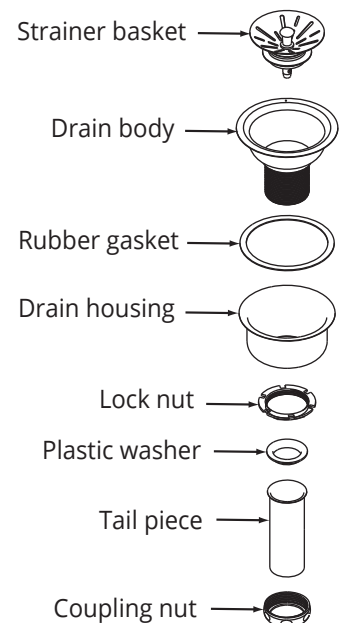
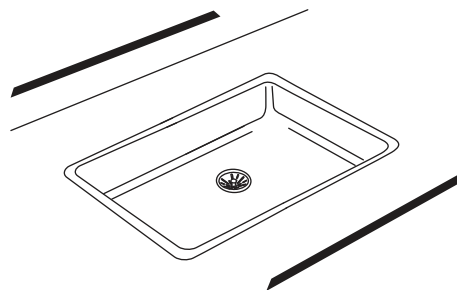


- 4** Wipe away any excess plumber's putty from the sink with a rag.

Place strainer basket into the drain body.

*Note: Drain bodies and strainer baskets may vary depending on models. Some models may come with a strainer grid, in place of a strainer basket, that will need to be screwed into the drain body.

**Model shown is a LK99.



LK723

Thermostatic Mixing Valve

Instructions

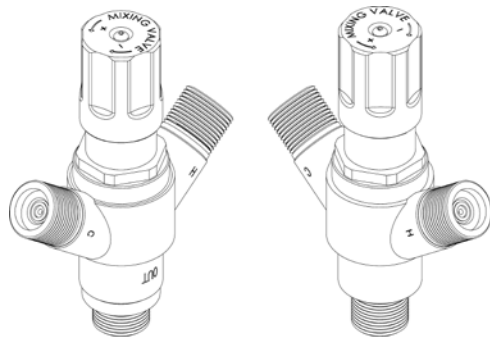
WARNING

It is recommended that only licensed plumbers with knowledge of installing plumbing products install this product. Failure to do so may cause product malfunction and needless additional cost.

*Prior to installing the thermostatic valve, it is **CRITICAL** that the supply lines be completely and properly flushed of all dirt and debris. Failure to do so will cause the valve to fail and it will void the manufacturer's warranty.*

Features:

- Compliant with ASSE 1016 standards
- Compliant with ASSE 1070 standards (Temperature is adjustable, but not at will.)
- cUPC, AB1953, and NSF61 certified
- Neoperl pressure balancing valves
- Vernet sensor bar



Specs:

- Minimum flow rate: 0.9/GPM
- Pressure loss at minimum flow rate: 0.5/psi
- Hot Water Inlet Temperature Range: 120~180°F (48.8~82.2°C)
- Cold Water Inlet Temperature Range: 39~84°F (3.9~28.8°C)
- Outlet Temperature Range: 80~120°F (26.7~48.8°C)
- Outlet Temperature Factory Settings: 100.4°F (38°C)
- Inlet/Outlet Spec: 1/2' NPS threaded male



Installation Procedure:

- Close both the hot and cold water shut-off valves upstream nearest to the intended installation.
- Bleed the remaining water from the system.
- Connect the water supply to valve as shown in Figure 1. Supply piping **MUST** be flushed clean before making connections to the valve.

NOTE: Please make sure that the metallic filters (see figure 2) are installed prior to water supply connection as shown in figure 3. Failing to do so may cause clogging and malfunction of the thermostatic valve.

- Valve can be installed in any position.

NOTE: the inlet hot supply is to be connected to the “H” side of the valve, the cold supply side to the “C” side and the mixed water outlet to the “OUT” side.

- Start-up: Open cold water supply, then hot water supply. Inspect for leaks.
- Adjust temperature as desired.

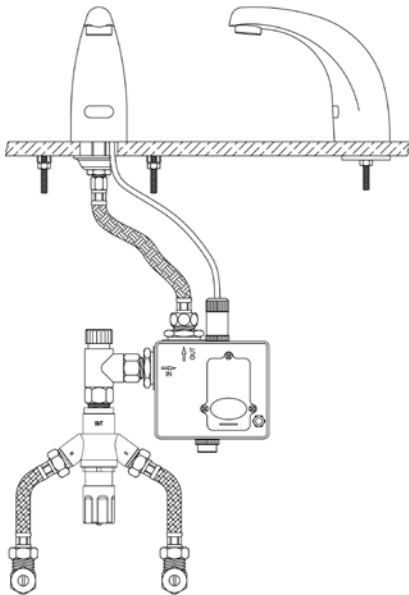


FIGURE 1



FIGURE 2



FIGURE 3

Adjustment:

- Let water flow for at least two minutes to allow supply temperature to stabilize.
- Calibrate the mixed water outlet temperature by placing a thermometer in the mixed water stream.
- To adjust the setting of the valve, loosen locking cap screw with phillips head screwdriver as shown in Figure 4. Cap must be lifted at least 4mm to adjust temperature.

To increase the temperature, turn counterclockwise. To decrease temperature turn clockwise.

NOTE: Factory settings is 38 °C (100 °F). To reset to factory settings, simply align the redlines under the cap as shown in Figure 6.

- Lower cap and tighten screw as shown in figure 5.
- Check outlet temperature.



FIGURE 6

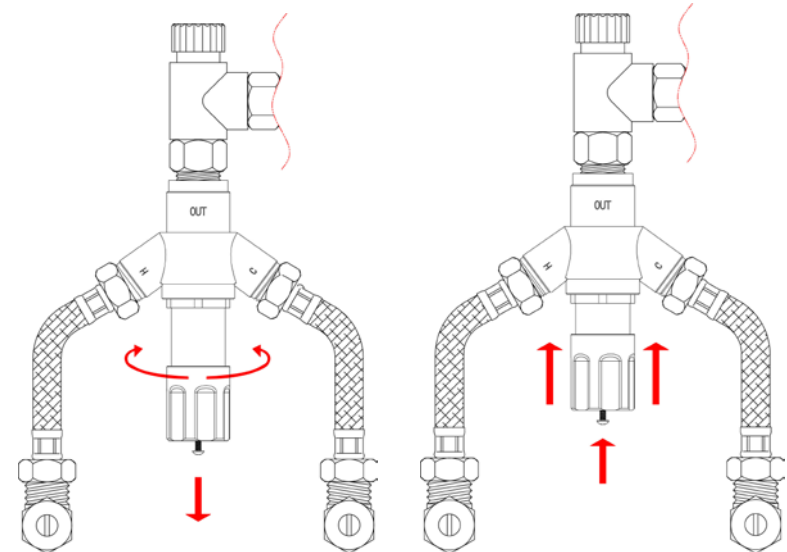


FIGURE 4

FIGURE 5