

**PRODUCT SPECIFICATIONS**

Elkay Stainless Steel 90" x 23" x 26", Wall Hung Triple Station Surgeon Scrub Sink Kit. Sink is manufactured from 16 gauge 304 Stainless Steel with a Buffed Satin finish, Full spray sides and bottom with Bottom only pads.

<b>Material:</b>	304 Stainless Steel
<b>Finish:</b>	Buffed Satin
<b>Gauge:</b>	16
<b>Sound Deadening:</b>	Full spray sides and bottom with Bottom only pads
<b>Number of Bowls:</b>	3
<b>Sink Dimensions:</b>	90" x 23" x 26"
<b>Bowl 1 Dimensions:</b>	28" x 16-1/4" x 11"
<b>Bowl 2 Dimensions:</b>	28" x 16-1/4" x 11"
<b>Bowl 3 Dimensions:</b>	28" x 16-1/4" x 11"
<b>Drain Size:</b>	3-1/2" (89mm)



**Included with Product:** EWSF39026 sink, three LKB721C sensor faucets AC plug-in / 12 AA batteries; three LK723 mixing valves, three LK18B drains

▼ **Ships in multiple boxes.**

AMERICAN PRIDE. A LIFETIME TRADITION. Like your family, the Elkay family has values and traditions that endure. For almost a century, Elkay has been a family-owned and operated company, providing thousands of jobs that support our families and communities.

**Product Compliance:** ASME A112.19.3/CSA B45.4  
 Faucet: ADA & ICC A117.1  
 ASME A112.18.1/CSA B125.1  
 NSF 61  
 NSF 372 (lead free)  
 Accessory: ASME A112.18.2/CSA B125.2



Sinks are listed by IAPMO<sup>®</sup> as meeting the applicable requirements of the Uniform Plumbing Code<sup>®</sup>, International Plumbing Code<sup>®</sup>, and National Plumbing Code of Canada.



Faucet complies with ADA & ICC A117.1 accessibility requirements when installed according to the requirements outlined in these standards.

- [Clean and Care Manual \(PDF\)](#)
- [Installation Instructions \(PDF\) - 74210010](#)
- [Installation Instructions \(PDF\) - 98519C](#)
- [Installation Instructions \(PDF\) - LK723 Instruction Manual](#)
- [Limited Warranty \(PDF\)](#)

PART: \_\_\_\_\_ QTY: \_\_\_\_\_

PROJECT: \_\_\_\_\_

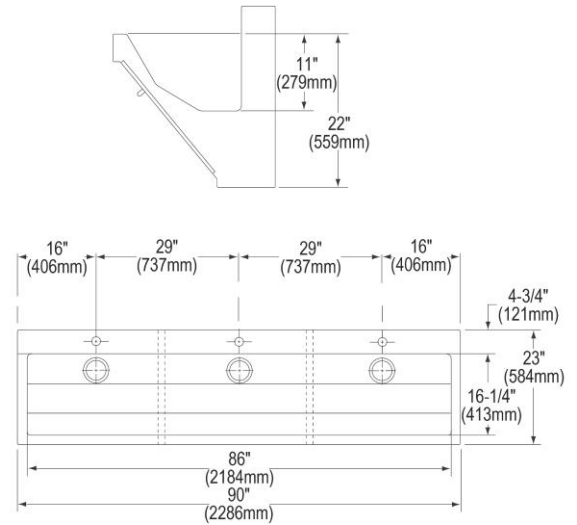
CONTACT: \_\_\_\_\_

DATE: \_\_\_\_\_

NOTES: \_\_\_\_\_

APPROVAL: \_\_\_\_\_

*In keeping with our policy of continuing product improvement, Elkay reserves the right to change product specifications without notice. Please visit elkay.com for the most current version of Elkay product specification sheets. This specification describes an Elkay product with design, quality, and functional benefits to the user. When making a comparison of other producers' offerings, be certain these features are not overlooked.*



*In keeping with our policy of continuing product improvement, Elkay reserves the right to change product specifications without notice. Please visit [elkay.com](http://elkay.com) for the most current version of Elkay product specification sheets. This specification describes an Elkay product with design, quality, and functional benefits to the user. When making a comparison of other producers' offerings, be certain these features are not overlooked.*

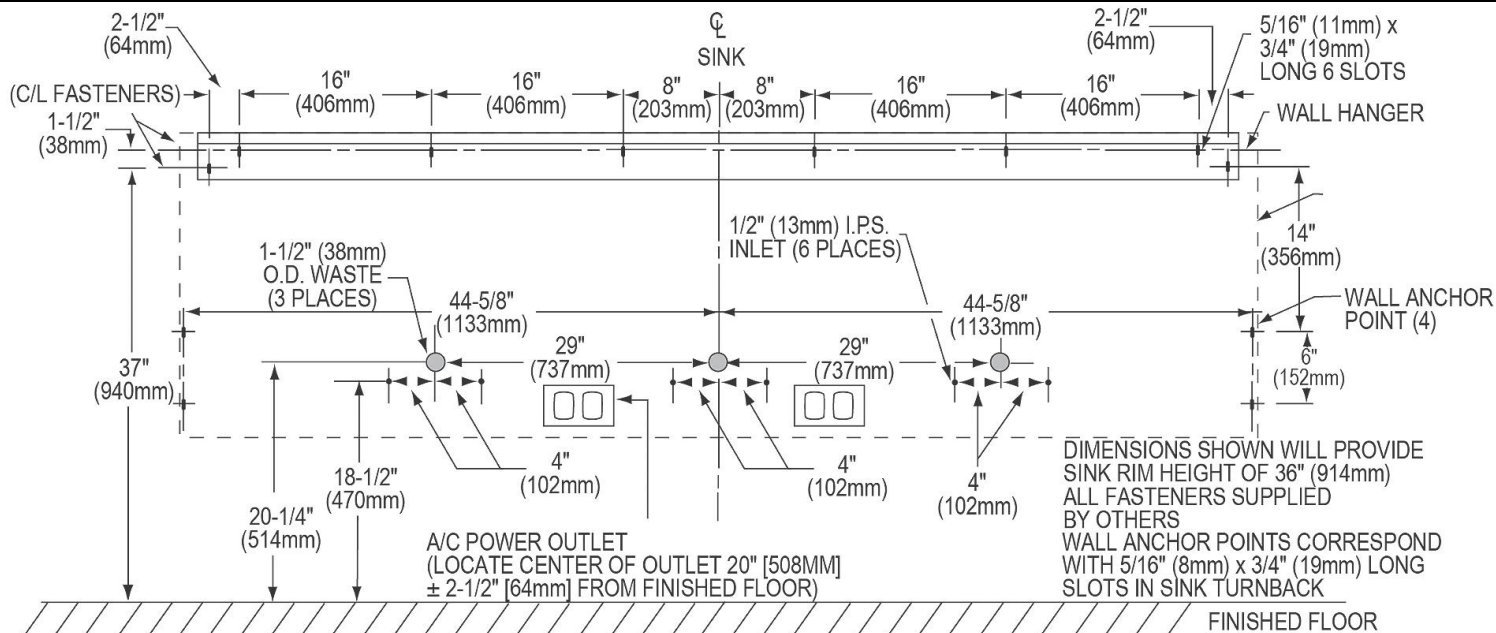
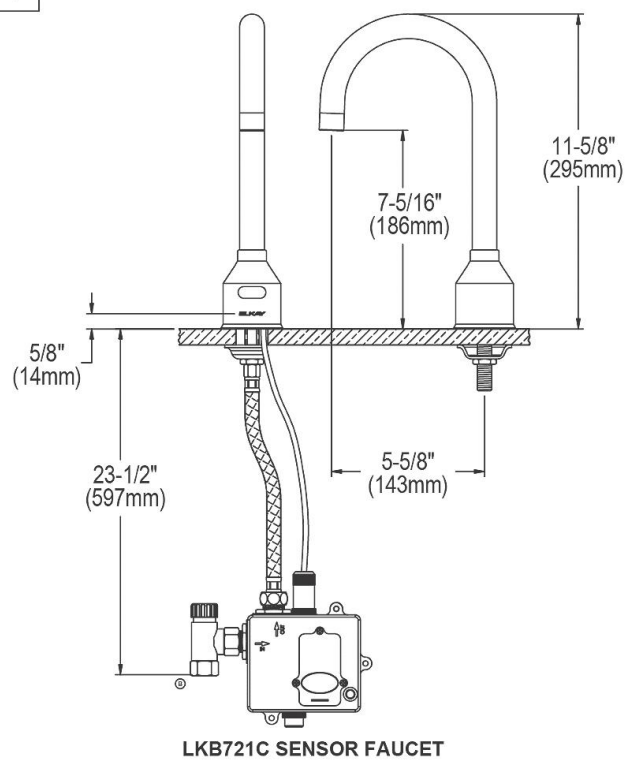
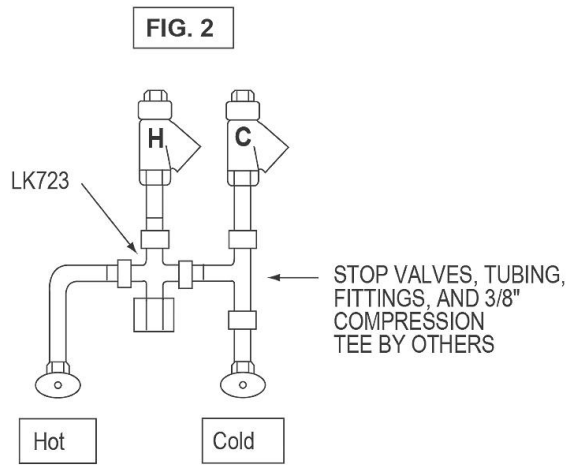


FIG. 1



LKB721C SENSOR FAUCET

TRIPLE STATION ROUGH-IN



LKB721C SENSOR FAUCET WITH LK723 THERMOSTATIC MIXING VALVE

In keeping with our policy of continuing product improvement, Elkay reserves the right to change product specifications without notice. Please visit [elkay.com](http://elkay.com) for the most current version of Elkay product specification sheets. This specification describes an Elkay product with design, quality, and functional benefits to the user. When making a comparison of other producers' offerings, be certain these features are not overlooked.

**PRODUCT SPECIFICATIONS**

Elkay Commercial Electronic Sensor Scrub/Handwash Battery Powered Deck Mount Faucet Chrome. Faucet has a flow rate of 1.5 GPM, and is made of Chrome-plated Brass material, with a Electronic Control Module valve. Faucet requires 1 faucet holes.

<b>Mounting Type:</b>	Deck Mount
<b>Special Features:</b>	Solid Brass Construction Hands Free Sensor Activated
<b>Finish:</b>	Chrome (CR)
<b>Handle Type:</b>	Sensor Operated (Hands Free)
<b>Deck Clearance:</b>	7-5/16"
<b>Spout Reach:</b>	5-5/8"
<b>Spout Height:</b>	11-5/8"
<b>Hole Drillings:</b>	1
<b>Material:</b>	Chrome-plated Brass
<b>Valve Type:</b>	Electronic Control Module
<b>Valve Connection:</b>	1/2" NPT Female
<b>Flow Rate:</b>	1.5 GPM
<b>Spout Swing Rotation:</b>	0°
<b>Spout Type:</b>	Gooseneck

**Special Note:** in-line filter with clean out trap and flexible supply hose.



Chrome  
(CR)



**Included with Product:** AC plug-in and battery holder with 4 AA batteries pre-installed

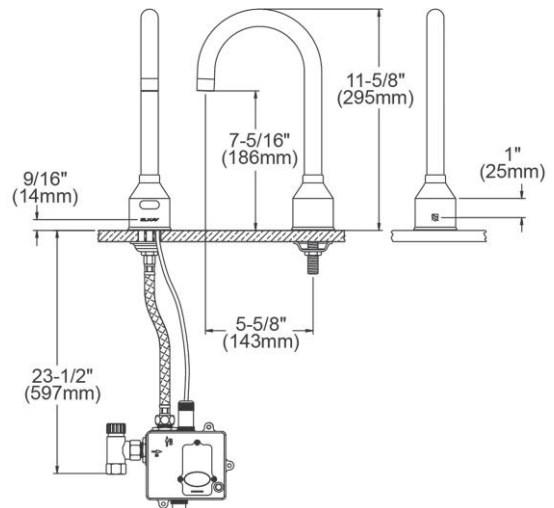
AMERICAN PRIDE. A LIFETIME TRADITION.  
Like your family, the Elkay family has values and traditions that endure. For almost a century, Elkay has been a family-owned and operated company, providing thousands of jobs that support our families and communities.

**Product Compliance:** ADA & ICC A117.1  
ASME A112.18.1/CSA B125.1  
NSF 61  
NSF 372 (lead free)



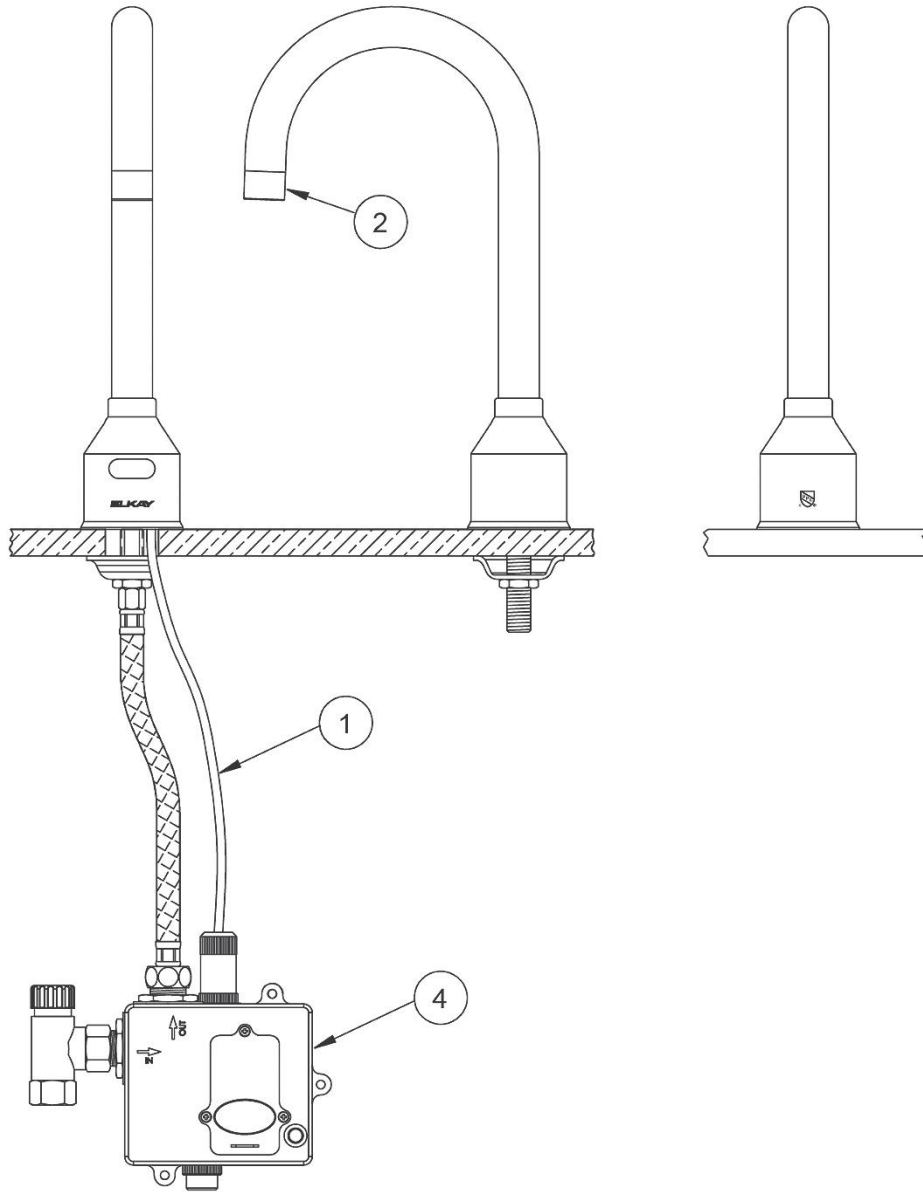
Complies with ADA & ICC A117.1 accessibility requirements when installed according to the requirements outlined in these standards.

[Clean and Care Manual \(PDF\)](#)  
[Installation Instructions \(PDF\)](#)  
[Limited Warranty \(PDF\)](#)



PART: \_\_\_\_\_ QTY: \_\_\_\_\_  
 PROJECT: \_\_\_\_\_  
 CONTACT: \_\_\_\_\_  
 DATE: \_\_\_\_\_  
 NOTES: \_\_\_\_\_  
 APPROVAL: \_\_\_\_\_

*In keeping with our policy of continuing product improvement, Elkay reserves the right to change product specifications without notice. Please visit [elkay.com](http://elkay.com) for the most current version of Elkay product specification sheets. This specification describes an Elkay product with design, quality, and functional benefits to the user. When making a comparison of other producers' offerings, be certain these features are not overlooked.*



ITEM	PART NUMBER	PART DESCRIPTION
1	98541C	SENSOR ASSEMBLY
2	98542C	AERATOR ASSEMBLY
3	1000003975	POWER ADAPTER (NOT SHOWN)
4	1000003976	CONTROL BOX

*In keeping with our policy of continuing product improvement, Elkay reserves the right to change product specifications without notice. Please visit [elkay.com](http://elkay.com) for the most current version of Elkay product specification sheets. This specification describes an Elkay product with design, quality, and functional benefits to the user. When making a comparison of other producers' offerings, be certain these features are not overlooked.*