

# DAVINCI

MAESTRO COLLECTION



THE MAESTRO COLLECTION

**AVAILABLE SIZES**

- 70.36.25

**WATER CAPACITY**

- 100 Gallons

**WEIGHT**

- 195 Pounds - Tub Only
- 220 Pounds - Thermal Air

**BACK SLOPE**

- 23°

**MATERIAL**

- Acrylic and Fiberglass

**STANDARD COLORS**

- White, Almond, Biscuit, Bone

**PREMIUM COLORS**

- Black, Mexican Sand, Cashmere, Red, Linen, Sandbar, Sterling Silver, Ice Gray

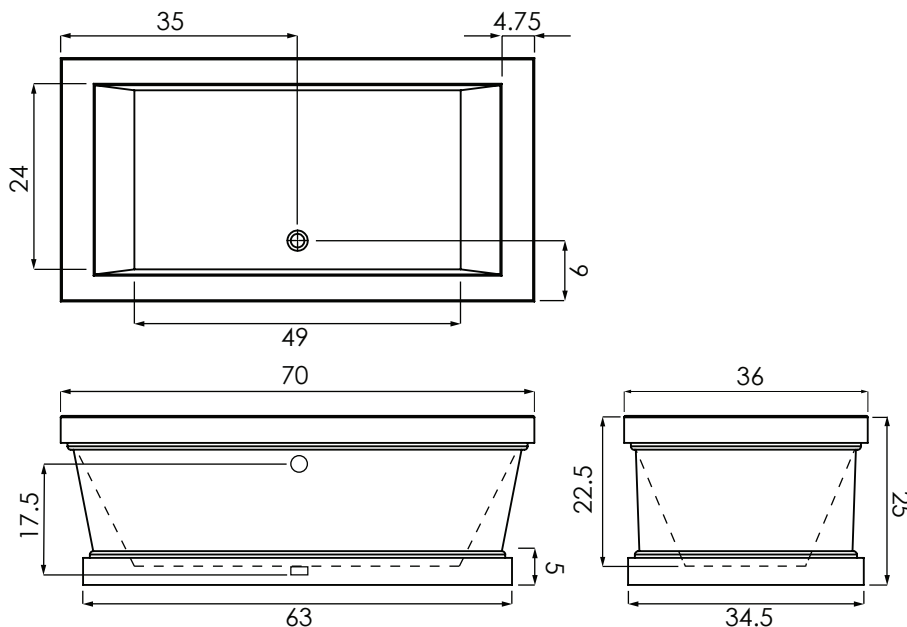
**WARRANTY**

- 99/9 year
- Integral Overflow Standard



**OPTIONS** [More Information Available on our Website](#)

- Chromotherapy- LED Lighting System
- Extra High Density Fiberglass
- Grab Bars
  - Standard or Universal
- Linear Overflow
  - Available in multiple finishes
- Remote Control
- Thermal Air
  - 15 AMP dedicated GFI
  - Blower must be remotely located
- Tower (assists to locate blower and/or faucets)



**CODES AND COMPLIANCES**

Massachusetts code File no: P1-0614-491

