

KATARINA

DESIGNER COLLECTION

H | S

PVC SYSTEMS INCLUDE:

- 10 Fully directional adjustable PVC jets
- Anti-vortex safety suction
- Color matched system trim
- HydroOzone ozone sanitation system
- Rigid PVC piping
- Self draining pump and system
- Soft Touch electronic on/off control with 30-minute integral times
- 2.25 HP single speed pump
- Cable waste and overflow
- Whirlpool system requires 20 Amp Dedicated GFCI 120V

*photo shown with micro mount



OPTIONS

- *Colonial Grab Bars
- *Linear Integral Waste and Overflow
- *Chromatherapy-LED Lighting System
- Universal Grab Bars
- Microban Antibacterial Protection
- Extra high density fiberglass
- Custom jet and pump locations
- Plated Metallic finish
- Additional directional Jets / Swirling
- Jumbo Jets rotating and directional
- Micro Therapy Jet
- Integral Waste and Overflow (round)
- Electronic low water protection
- In-line heater
- Back Masseur
- Neck Masseur Pillow
- Hydro Fusion
- Hydro Coat
- Indulge
- Hydro Express quick ship
- Digital LCD temperature display
- Hydro Blanket

OPTION	ELECTRICAL REQUIREMENTS
Whirlpool	1 20amp - 115V dedicated GFCI
Thermal Air	1 15amp - 115V dedicated GFCI
Combo	1 20amp - 115V & 1 15amp - 115V dedicated GFCI
Hydro Indulge	1 15amp - 115V dedicated GFCI
Inline Heater 1500	1 15amp - 115V dedicated GFCI
Inline Heater 600W	Shares circuit with Whirlpool pump
Fusion 1500W	1 15amp - 115V dedicated GFCI
Fusion 600W	1 15amp - 115V dedicated GFCI

HYDRO SYSTEMS
Family Owned And Operated Since 1978

29132 Avenue Paine. Valencia, CA, 91355
661.775.0686 | hydrosystem.com

* Indicates options that are shown (listed in order from top to bottom/ left to right)

KATARINA

DESIGNER COLLECTION

H | S

As SHOWN:

Whirlpool option with standard jet location

FEATURES SHOWN:

- Jets
- Overflow location

AVAILABLE SYSTEMS:

- Soaking tub only
- Whirlpool
- Thermal Air
- Combo

SIZE:

69.69.26

WATER CAPACITY:

295 Gallons

WEIGHT:

250-290 Pounds

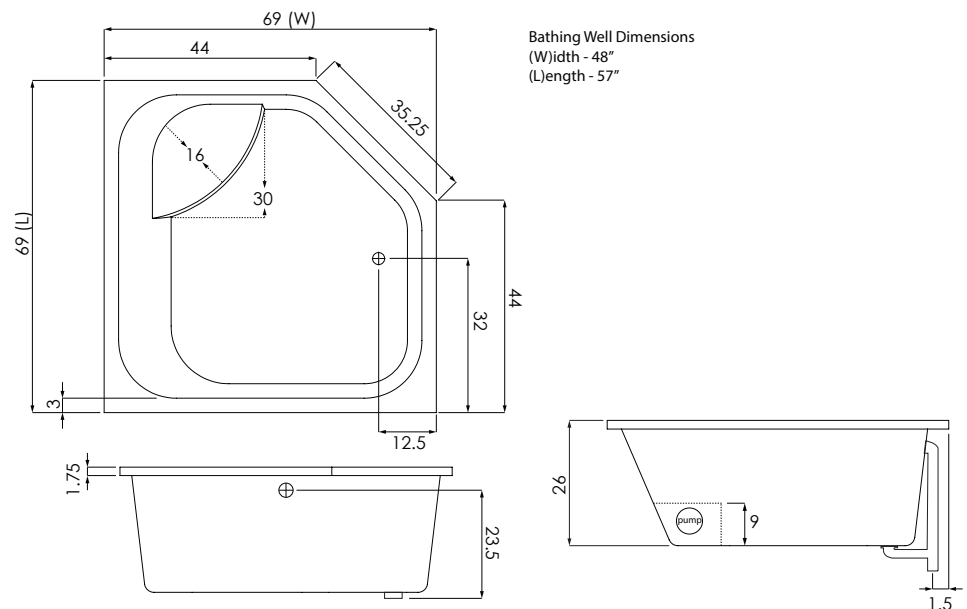
CORNER INSTALL DIMENSIONS:

- (L)ength- 67"
- (W)idth- 42.5"
- (W)idth- 34.5
- (H)eight Finish- 25.25"
- Back Slope - 30°



ACRYLIC TUB

- Acrylic models finished in 1/8" thick layer of deep lustrous acrylic
- Extra thick reinforced fiberglass
- Pre-wired pump on pump platform (standard pump location only)
- Integral E-Z level platform facilitates installation
- Tub must be set in mortar base
- When adding linear option, p-trap located below waste



CODES AND COMPLIANCES

Massachusetts code File no: P1-0614-491



HYDRO SYSTEMS
Family Owned And Operated Since 1978

29132 Avenue Paine, Valencia, CA, 91355
661.775.0686 | hydrosystem.com

All specifications and options subject to change without notice please contact a Hydro Systems representative for more information. Certain options or altering the pump/blower location may cause the pump/blower to extend beyond the tub decking. For cutout dimensions wait for unit to arrive. All specifications subject to change without notice.