

## VIGO INDUSTRIES INSTALLATION GUIDE FOR SHOWER DOOR (MODEL VG06080)

### **SAFETY PRECAUTIONS**

This Installation Guide uses the following symbols to indicate important information. Always observe the instructions indicated by these symbols.

### **WARNING**

Instructions that, if ignored, could result in death or serious personal injury caused by incorrect handling or installation of the product. These instructions must be observed for safe installation.

### **IMPORTANT**

Maintenance and other important non-personal injury and non-material damage instructions or statements that should be observed.

It is highly advised to dry fit the unit prior to any installation.

\*VIGO reserves the right to modify/update all hardware and glass components based on bettering the product for the end user's experience. If you have any questions contact VIGO Tech Support at 1-866-591-7792.

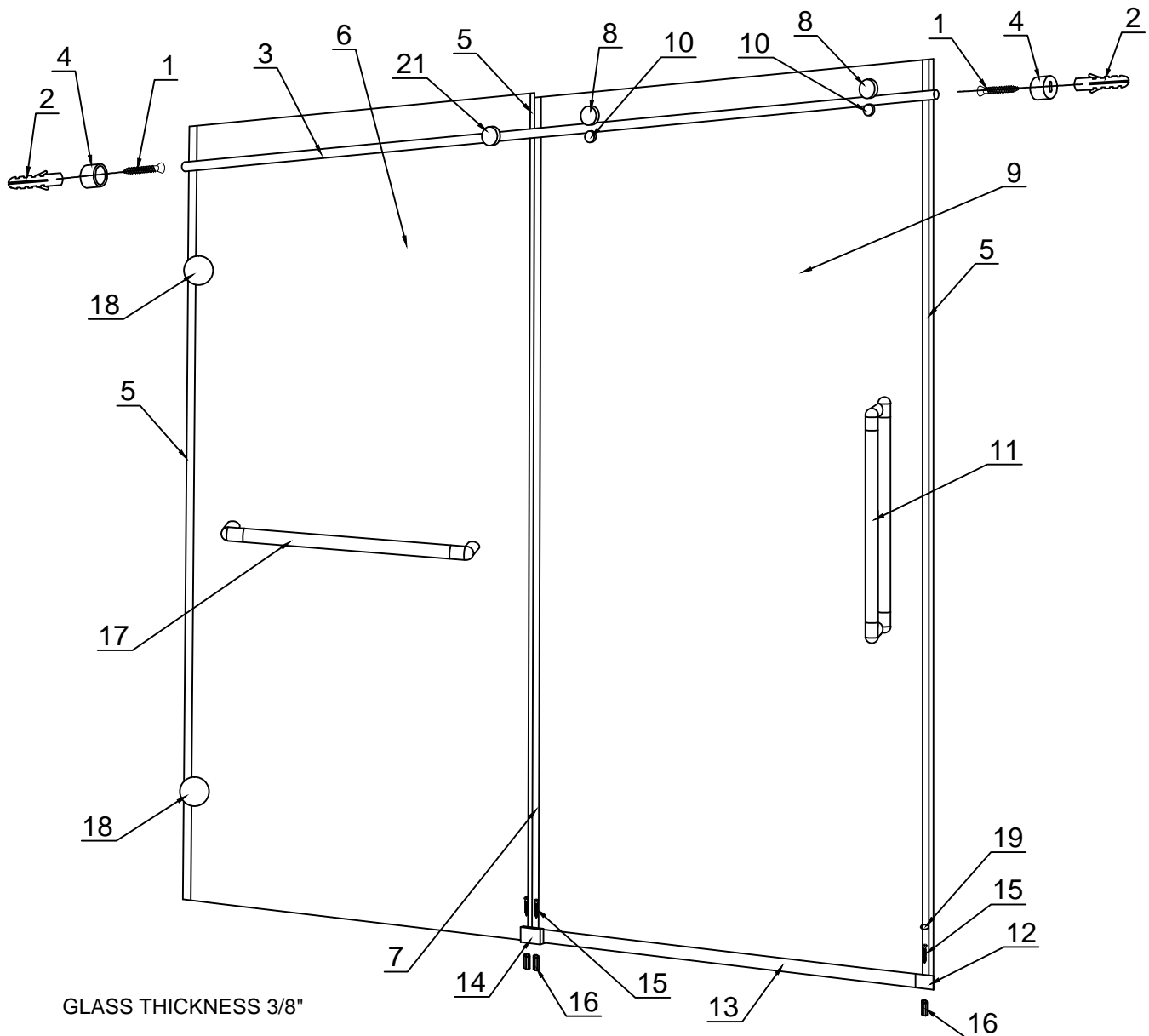
**MODEL VG06080 FERRARA**

**INSTALLATION INSTRUCTIONS FOR SHOWER DOOR**

PLEASE READ INSTRUCTIONS BEFORE PROCEEDING



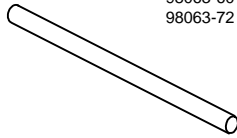

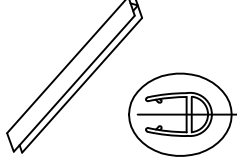
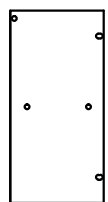
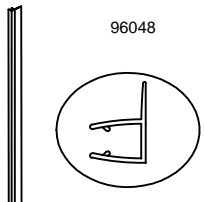
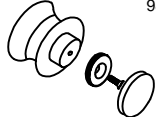
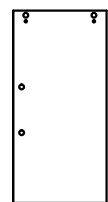


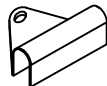

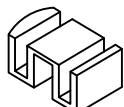

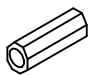
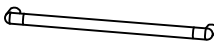

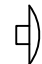
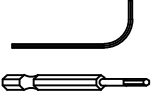
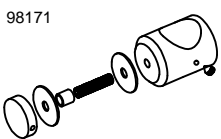
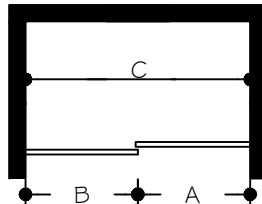
Parts List

- |  |                                 |
|--|---------------------------------|
| 1. Hex screw 1 5/8" (4pc)                      | 11. Handle (1pc)                |
| 2. Plastic anchors white (4pc)                 | 12. Threshold end clip (1pc)    |
| 3. Structural rail (1pc)                       | 13. Threshold (1pc)             |
| 4. Wall mount bracket (2pc)                    | 14. Door bottom guide (1pc)     |
| 5. Door and fixed panel seal strip (3pc)       | 15. Phillips screw 1 1/8" (3pc) |
| 6. Fixed panel (1pc)                           | 16. Plastic anchors green (3pc) |
| 7. F-shaped side seal strip (2 pc, 1 is extra) | 17. Towel bar (1pc)             |
| 8. Rollers (2pc)                               | 18. Glass support (2pc)         |
| 9. Door panel (1pc)                            | 19. 8mm plastic cap (1pc)       |
| 10. Roller guides (2pc)                        | 20. Allen key pack (1 pack)     |
|  | 21. Fixed panel holder (1pc)    |



GLASS THICKNESS 3/8"

NOTE: INSTALLATION MUST BE DONE BY A QUALIFIED, LICENSED PROFESSIONAL.

<p>1. HEX SCREW 1 5/8"</p> <p>98039</p> 	<p>2. PLASTIC ANCHOR WHITE</p> <p>98038</p> 	<p>3. STRUCTURAL RAIL</p> <p>98063-60 98063-72</p> 	<p>4. WALL MOUNT BRACKET</p> <p>98018</p> 	<p>5. DOOR AND FIXED PANEL SEAL STRIP</p> <p>96001</p> 
<p>6. FIXED PANEL</p> <p>97055CL30 97055CL36</p> 	<p>7. F-SHAPE SIDE SEAL STRIP</p> <p>96048</p> 	<p>8. ROLLERS</p> <p>98164</p> 	<p>9. DOOR PANEL</p> <p>97056CL34 97056CL40</p> 	<p>10. ROLLER GUIDES</p> <p>98165</p> 
<p>11. HANDLE</p> <p>98166</p> 	<p>12. THRESHOLD END CLIP</p> <p>98167</p> 	<p>13. THRESHOLD</p> <p>98168-60 98168-72</p> 	<p>14. DOOR BOTTOM GUIDE</p> <p>98023</p> 	<p>15. PHILLIPS SCREW 1 1/8"</p> <p>98035</p> 
<p>16. PLASTIC ANCHOR GREEN</p> <p>98037</p> 	<p>17. TOWEL BAR</p> <p>98169</p> 	<p>18. GLASS SUPPORT</p> <p>98170</p> 	<p>19. 8mm PLASTIC COVER</p> <p>98111</p> 	<p>20. ALLEN KEY PACK</p> <p>MISC</p> 
<p>21. FIXED PANEL HOLDER</p> <p>98171</p> 				

MODEL	DIMENSION "A" (DOOR)	DIMENSION "B" (FIXED PANEL)	ADJUSTABLE DIMENSION "C" (WIDTH)	HEIGHT	DOOR OPENING WIDTH
VG06080XXCL6074	34" x 73 1/2"	30" x 74"	59 1/2" - 60 1/2"	74"	24 1/2" - 25 1/2"
VG06080XXCL7274	40" x 73 1/2"	36" x 74"	71 1/2" - 72 1/2"	74"	30 1/2" - 31 1/2"

A, B & C DIMENSIONS WERE MEASURED AFTER SHOWER ENCLOSURE WAS COMPLETELY INSTALLED

⚠ **Product lines may change, contact your Vigo representative at 1-866-591-7792 or visit our website at [www.vigoindustries.com](http://www.vigoindustries.com) for the most up to date product line information.**

**⚠ WARNING**

VIGO STRONGLY RECOMMENDS THIS INSTALLATION BE COMPLETED BY A LICENSED PROFESSIONAL. INSTALLATION OF DOOR UNIT REQUIRES AT LEAST TWO PEOPLE.  
 INSTALLATION OF THE SHOWER DOORS BY AN INEXPERIENCED PERSON MAY RESULT IN GLASS BREAKAGE AND CONSEQUENTLY, CAUSE PERSONAL INJURY OR DEATH.

- Handle fragile items with care to prevent personal injury or material damage.
- The glass panels are tempered and cannot be cut. Never attempt to do so.
- Always rest glass on a level surface

**BEFORE STARTING**

Compare items on your invoice with what you have received. Carefully review the Parts List on page 2. If any items are missing, please call Vigo Industries at 1-866-591-7792. Please check our website at [www.vigoindustries.com](http://www.vigoindustries.com) for additional information or instructional videos.

**REQUIRED TOOLS:**

- Square and/or Phillips #1 and #2 screwdriver
- Electric drill; 1/8" drill bit for phillips screws, 3/16" drill bit for hex screws, 1/4" drill bit for green plastic anchors or 5/16" drill bit for white plastic anchors (According to wall)
- Level
- Measuring tape
- Non permanent pencil
- Clear silicone caulking
- Utility knife; Hacksaw

**⊘ IMPORTANT**

- Fiberglass, acrylic or sheetrock construction might not be sufficiently strong enough to support the shower door enclosure. You should use the wood framing from behind the face edge of the stall to provide a secure mounting to the door. Apply a bead of silicone between the walls and base of the stall.
- For optimum performance, you should install the shower door perfectly level on a level surface. By not leveling the unit during construction the unit may leak causing possible water damage.

**PLEASE NOTE:**

**THE CLEAR GLASS MODEL HAS A REVERSIBLE DOOR AND CAN BE INSTALLED TO THE RIGHT OR LEFT SIDE. (SEE CONFIGURATION DIAGRAM BELOW)**

**BEFORE INSTALLATION**

If needed, remove the plastic layer of the base border. Do not remove the plastic layer off the plastic platform of the base. Wall and base joints must be siliconed properly. To fit shower door into your opening cut structural rail on door side only!

**See suggestion of configuration below.**

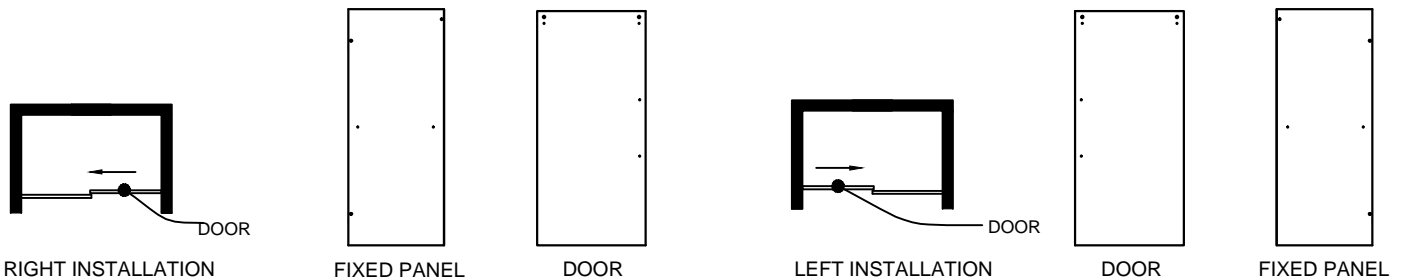


FIG. 1A (GLASS CONFIGURATION DIAGRAM)

**IMPORTANT**

- Verify that the overall size of the shower door opening is appropriate for the shower enclosure.
- Due to individual site variations, exact guidelines for every situation cannot be supplied. The recommended framing and dimensional requirements are shown for a typical application and may vary depending on the site requirements.
- To prevent damage to the finish, you should protect the shower cabin bottom with a cardboard protector before beginning the installation.
- Ensure that there is sufficient structural support behind the shower wall to hold the weight of the shower door. If there is insufficient enough support, then reinforce the shower walls with wooden studs prior to shower door installation. [SEE FIG. 1]

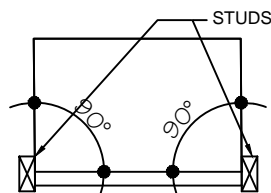
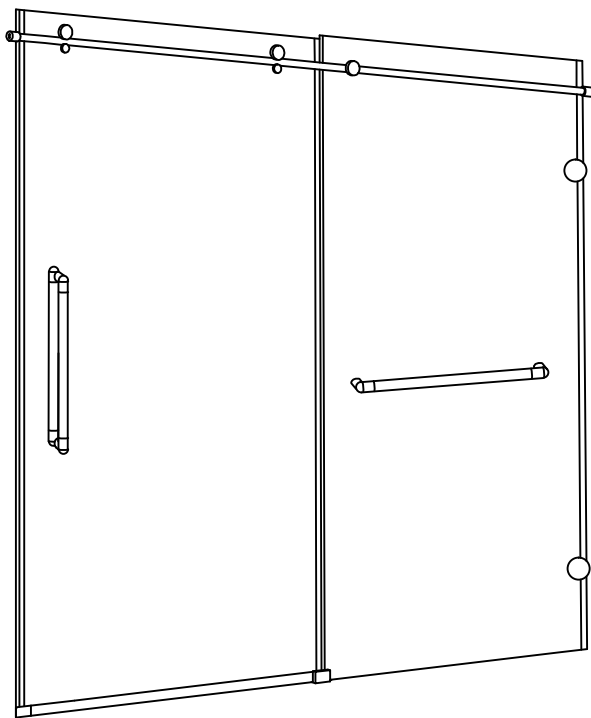
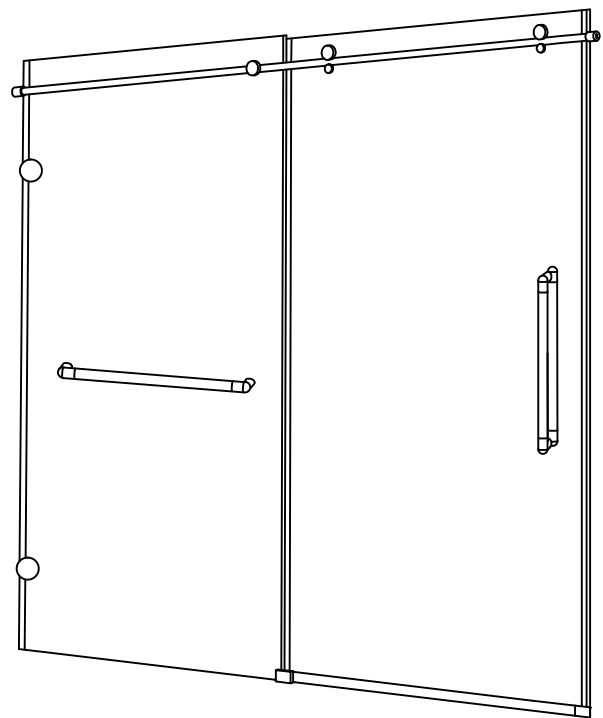


FIG.1



LEFT DOOR INSTALLATION



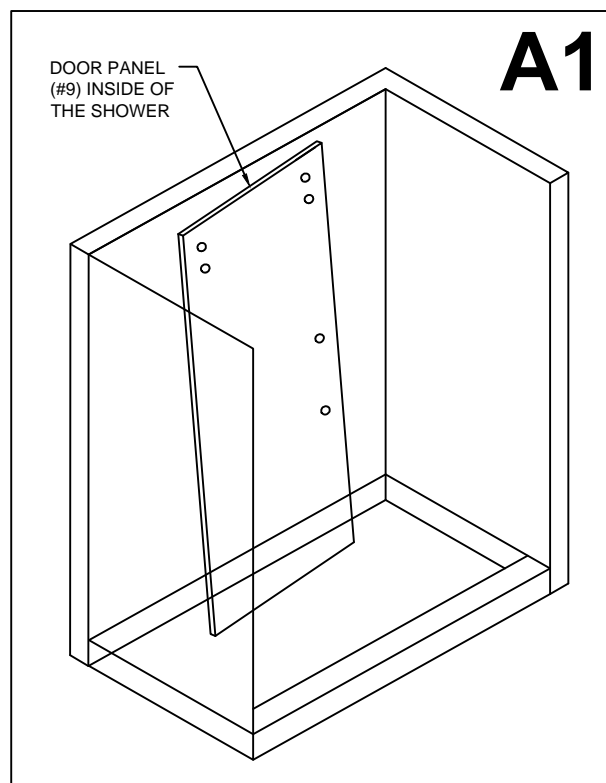
RIGHT DOOR INSTALLATION

## INSTALLATION STEPS

**\*NOTE:** Prior to any installation, mark lines on the floor and wall for proper dry fit. Proper planning is imperative for proper installation. The measurement of 71" should just be used as a guide. Your actual dimensions may vary.

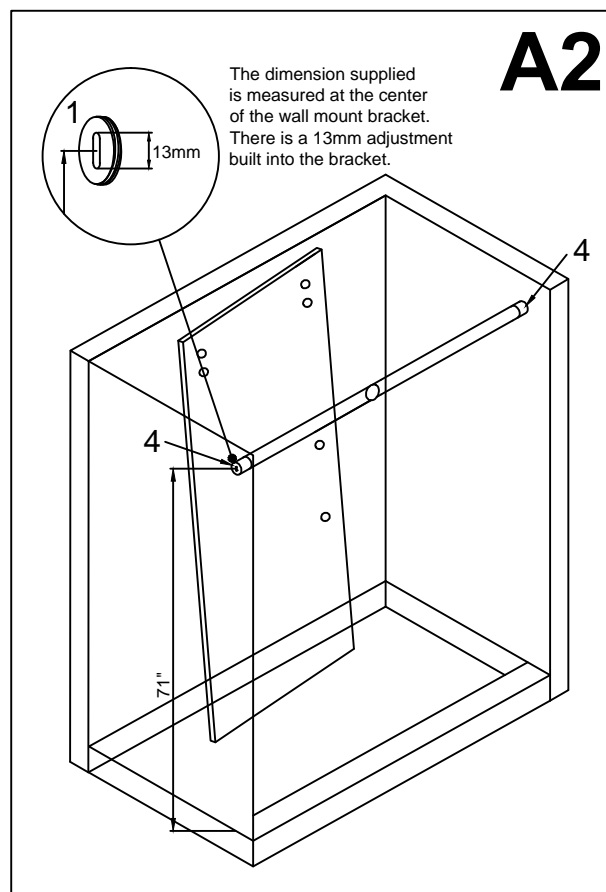
### A. INSTALLING THE STRUCTURAL RAIL

1. Place the door panel (#9) into the shower first making sure to rest the glass in a manner that the glass or base/tub does not incur damage.

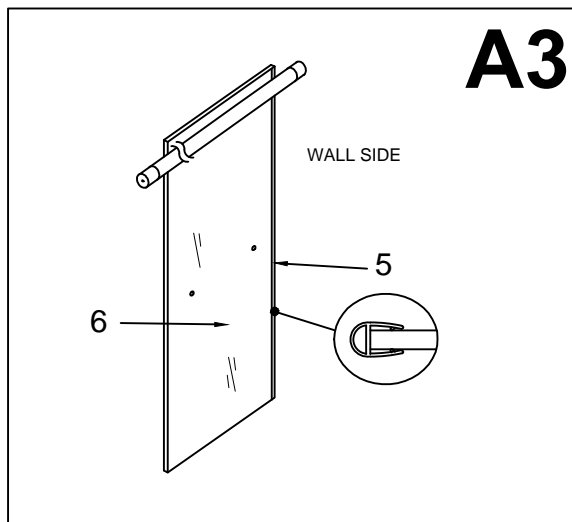


2. Place the structural rail (#3) into the cabin opening. Make sure that the wall mount brackets (#4) are assembled on the rail before doing this. If the rail is too long, cut it 5/8" - 3/4" shorter than the cabin opening with a hacksaw to fit properly in the opening.

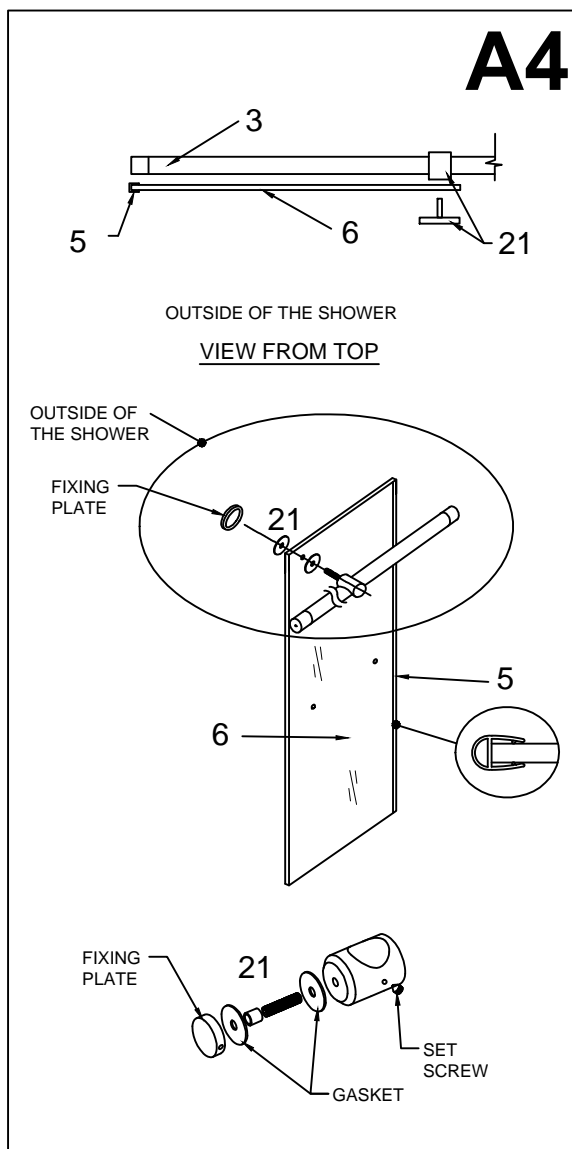
**⚠ Make sure to cut the rail on the shower door side only.** Arrange the glass according to the configuration you've chosen from page 4. Measure \*71" from the floor or curb of base. Mark this location. This will be the height of your wall mount bracket assembly (#4).



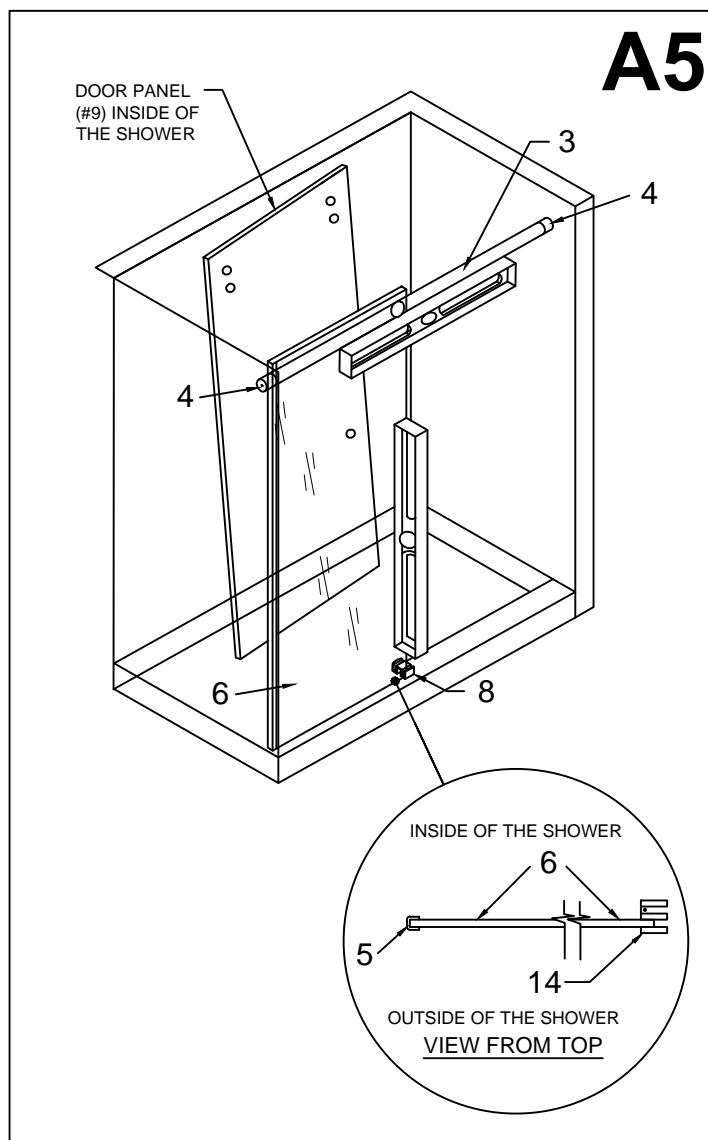
- Attach seal strip (#5) to the fixed panel (#6) on the side that sits against the wall. Start at the bottom and work your way up, using the heel of your hand to firmly press the seal strip onto the glass.



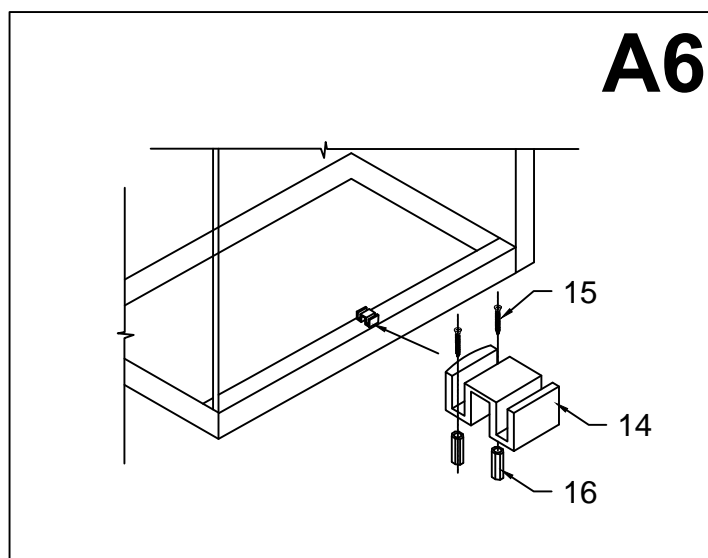
- The fixed panel holder (#21) is already installed on the structural rail (#3). Remove the fixing plate by twisting counterclockwise. Loosen the set screw to move the fixed panel holder along the structural rail to line it up with the hole in the glass on the fixed panel (#6). Tighten the set screw once it is lined up. Place the fixed panel holder through the hole in the glass, making sure there is a gasket on each side of the glass, and replace the fixing plate and tighten with the allen key provided.



5. Position the fixed panel (#6) and the structural rail assembly (#3) into the shower opening. Position the door bottom guide (#14) on the floor making sure the edge of the fixed panel (#6) ends at the middle portion of the door bottom guide. Level the fixed panel and mark the circumference location of the wall mount brackets (#4) on the wall. Mark the location for the door bottom guide (#14) on the floor.



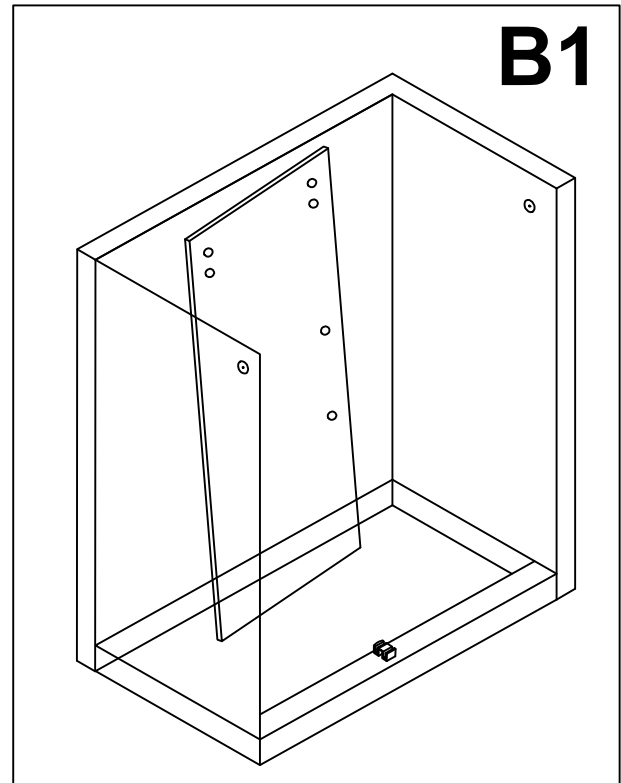
6. Remove the fixed panel (#6). Place the door bottom guide (#14) to the marked location on the floor. Drill holes and place plastic anchors (#16) inside them. Screw in the door bottom guide to the floor with 1 1/8" screws (#15).



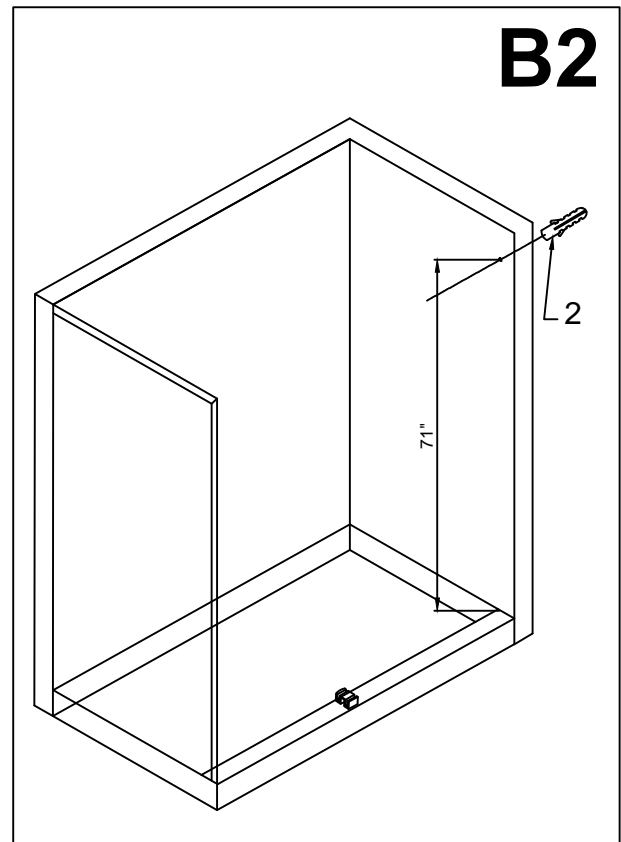


**B. INSTALLING THE FIXED PANEL**

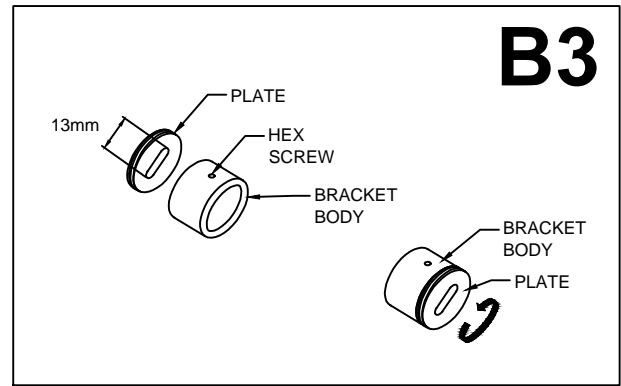
1. Remove the fixed panel (#6) and structural rail (#3) assembly from the shower door opening. Find the center of the marked circumference on the wall.



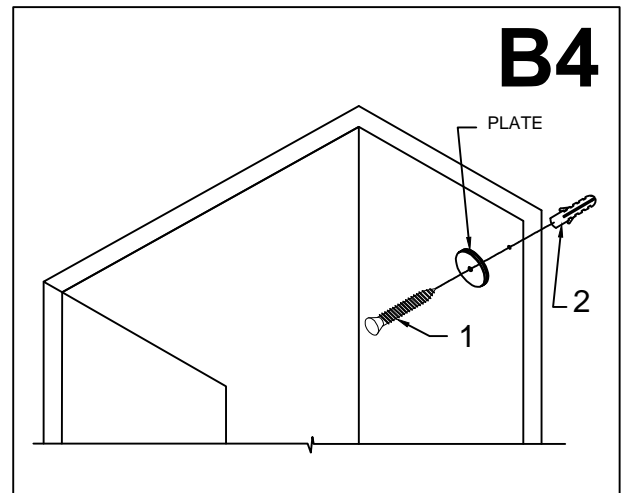
2. Mark holes on the wall for the mounting screws. Drill holes and place plastic anchors (#2) inside them. **⚠ Preferred method of installation negates anchors and has the installation going right into studs.**



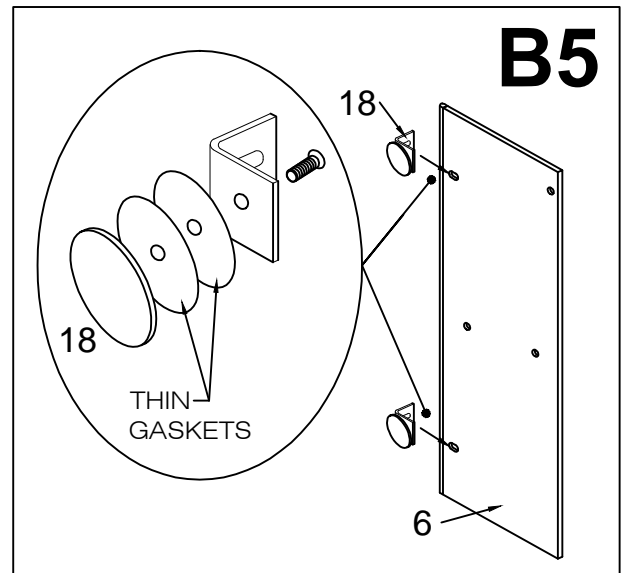
- Remove the wall mount bracket assembly (#4) from the structural rail assembly (#3). Unthread the plate from the bracket assembly body. There is a 13mm adjustment built into the plates for minor modifications.



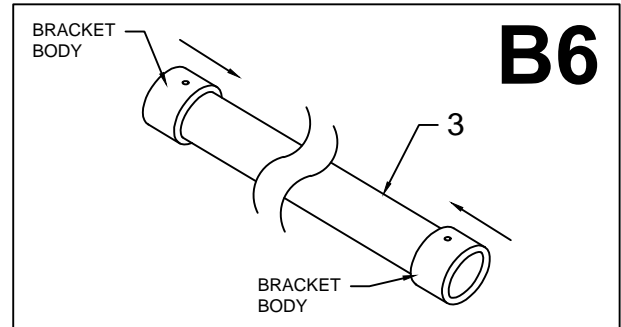
- Place plates to the wall over the plastic anchors. Screw plates in with 1 5/8" screws (#1).



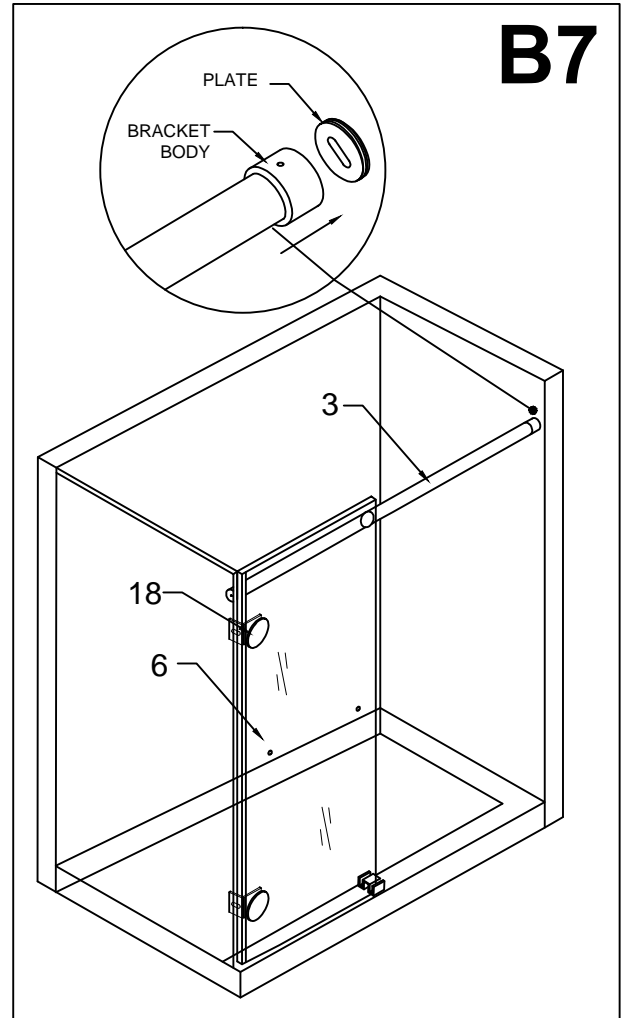
- Screw in the glass supports (#18) with the hex key to the fixed panel (#6). Be sure to use washers on both sides of the panel.



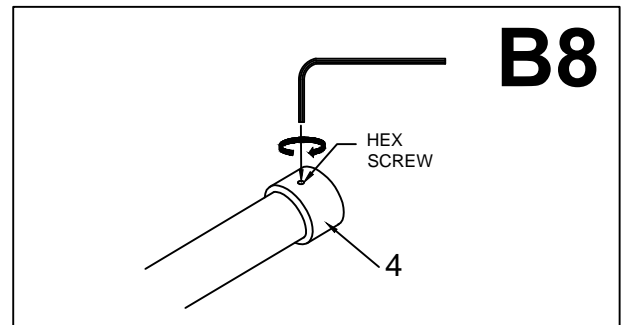
- Place wall mount bracket body back on the rail.



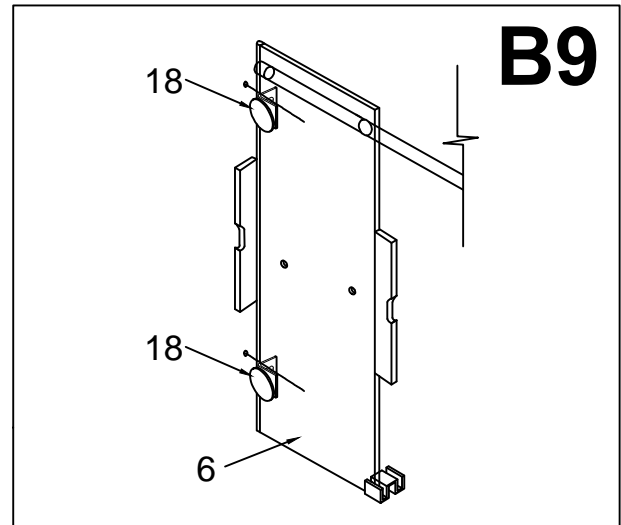
- Place the fixed panel with the structural rail assembly in its proper position and thread the bracket body to the plates.



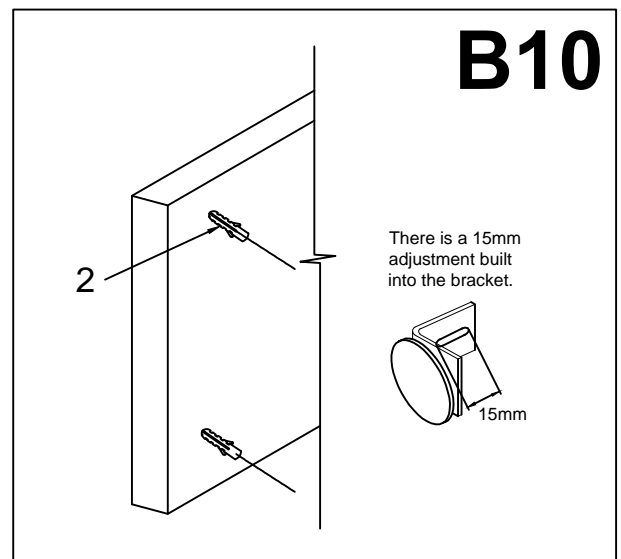
- Tighten the hex screws on the brackets with the hex key (supplied).



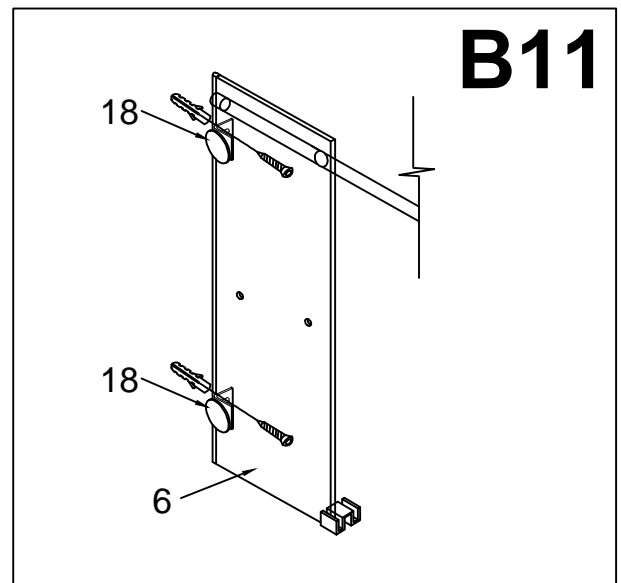
9. Mark holes on the wall for the mounting screws for the glass supports (#18).



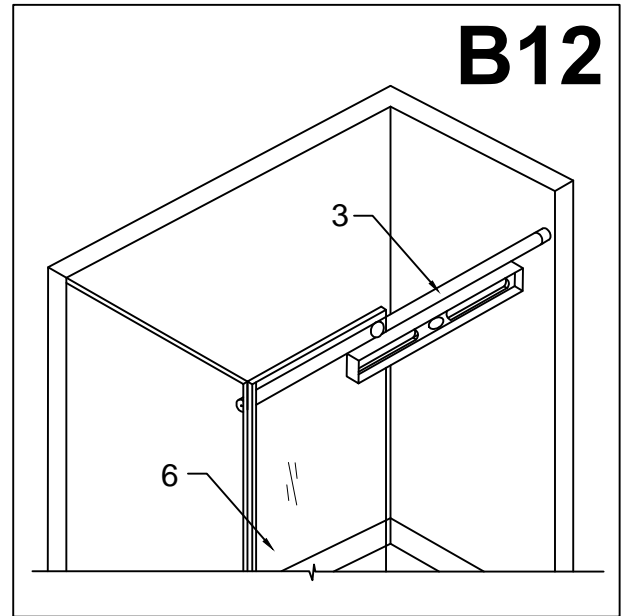
10. Remove the fixed panel and drill holes into the wall. Insert plastic anchors (#2) into the holes. **⚠ Not necessary if installing into studs. Studs are the preferred means of installation, anchors can pull out of the wall causing property damage and bodily harm. There is a 15mm adjustment built into the glass supports for minor modifications.**



11. Replace the fixed panel (#6). Screw into the wall with 1 5/8" hex screws (#1).

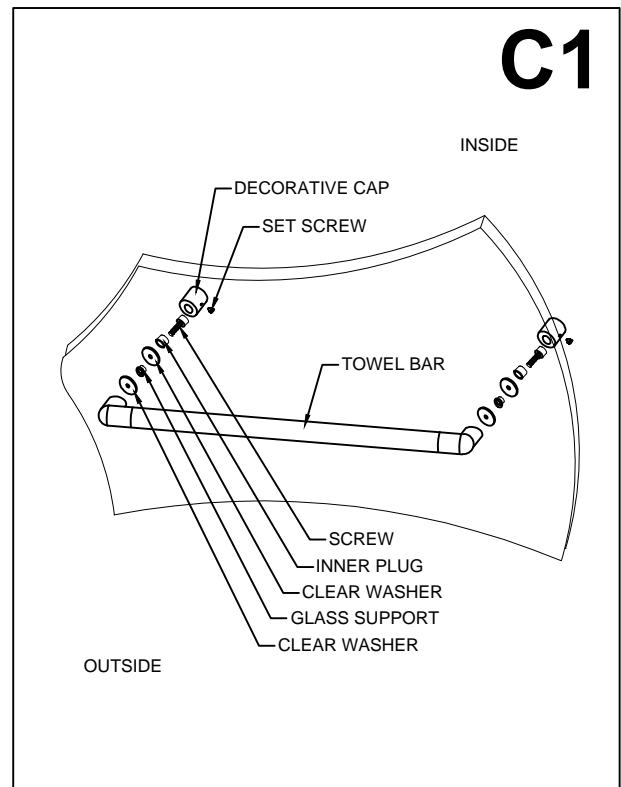


12. Check that the structural rail is level. If it is not level and the rail is not at the correct height, then remove the rail and use the built-in adjustments in the plates to modify as needed.



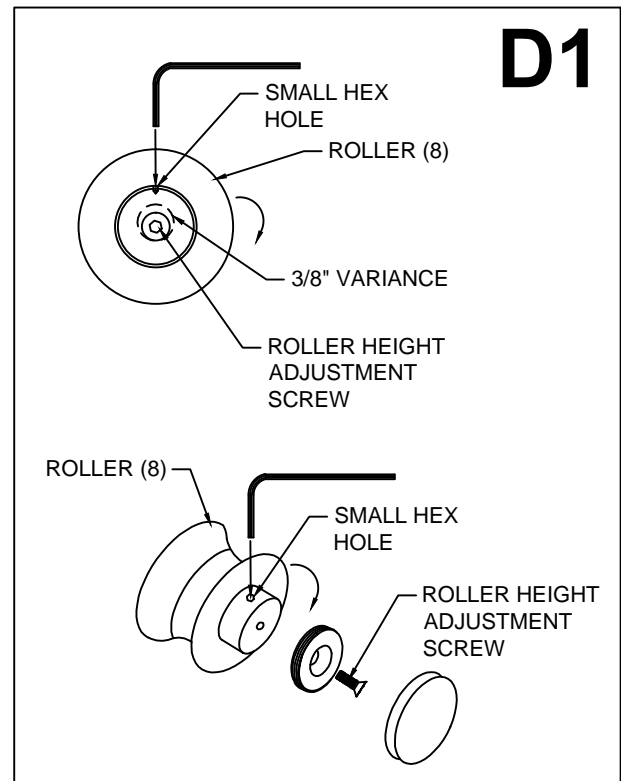
### C. INSTALLING THE TOWEL BAR

1. Assemble the towel bar (#17) to the fixed panel (#6). Place the towel bar on the outside of the fixed panel and screw from the inside with the provided threaded screw, making sure to have a clear washer on each side of the glass. Tighten the decorative cap from the inside with the set screw using the provided allen key.

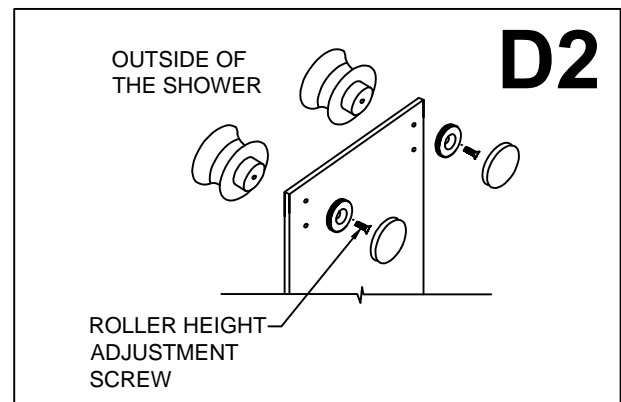


## D. INSTALLING THE DOOR

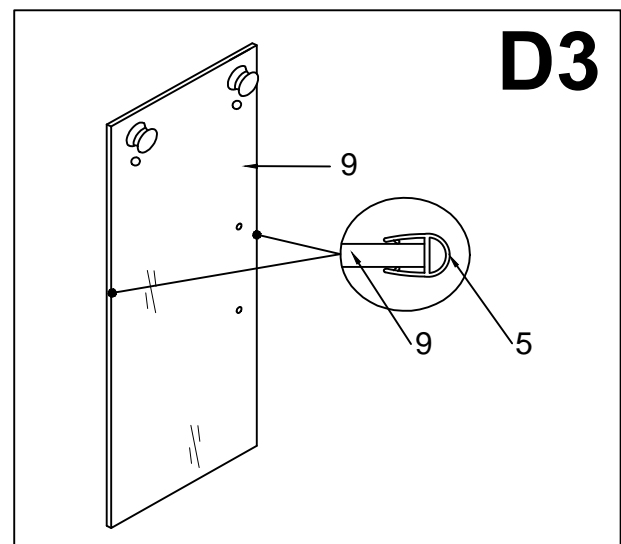
1. Remove the rollers (#8) from the box, note that these are fully assembled. Carefully unthread the cap with a small head allen key. You will see a big hex screw, this is referred to as the roller height adjustment screw.



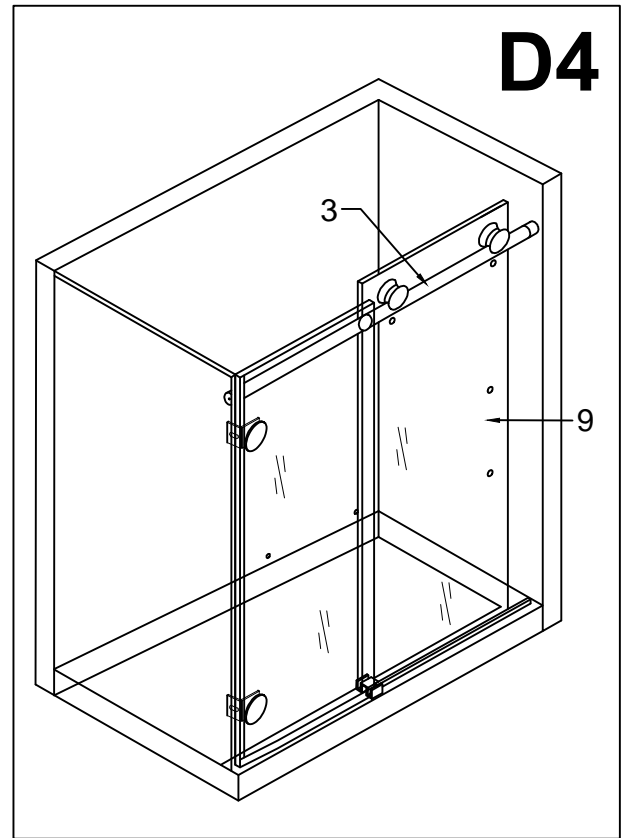
2. Use the provided allen key to unscrew the adjustment screw and dismantle the roller. Place the screw through door panel top holes and attach the two top rollers onto the door panel (#9).



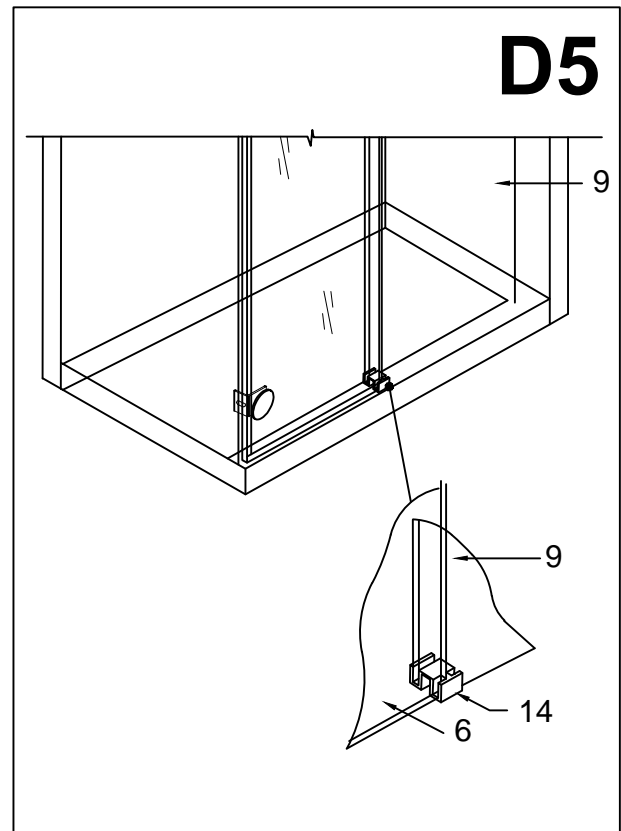
3. Attach seal strip (#5) to both sides of the door panel. Start at the bottom and work your way up, using the heel of your hand to firmly press the seal strip onto the glass.



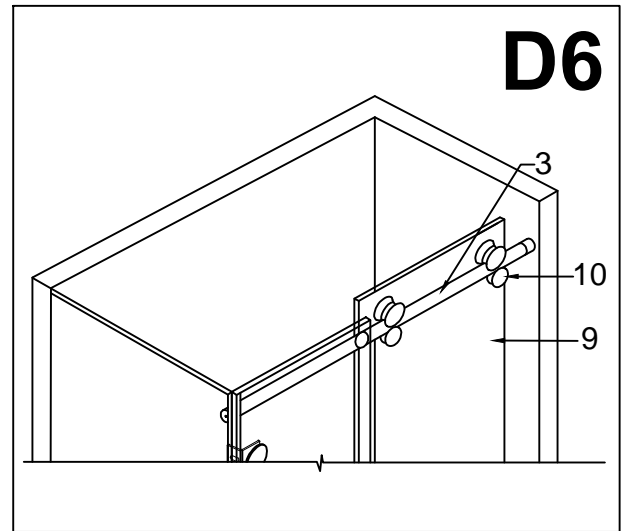
4. Place the two top rollers and the door panel (#5) assembly onto the structural rail (#10).  
**Note that the rollers have a built-in mechanism that will provide adjustment for walls that are not 100% perpendicular to the floor.** If necessary, loosen the adjustment screw and rotate the individual roller. This will raise or lower the height that the roller sits on the structural rail. **Please refer to pages 22-23 for *Roller Adjustments to Accommodate Out of Square Openings*.** Once the rollers are properly adjusted and the door sits flush against the wall in the closed position, the adjustment will be complete. Fully tighten the adjustment screws and re-install the roller caps.



5. Verify that the bottom of the door rests in the back notch of the door bottom guide (#14).

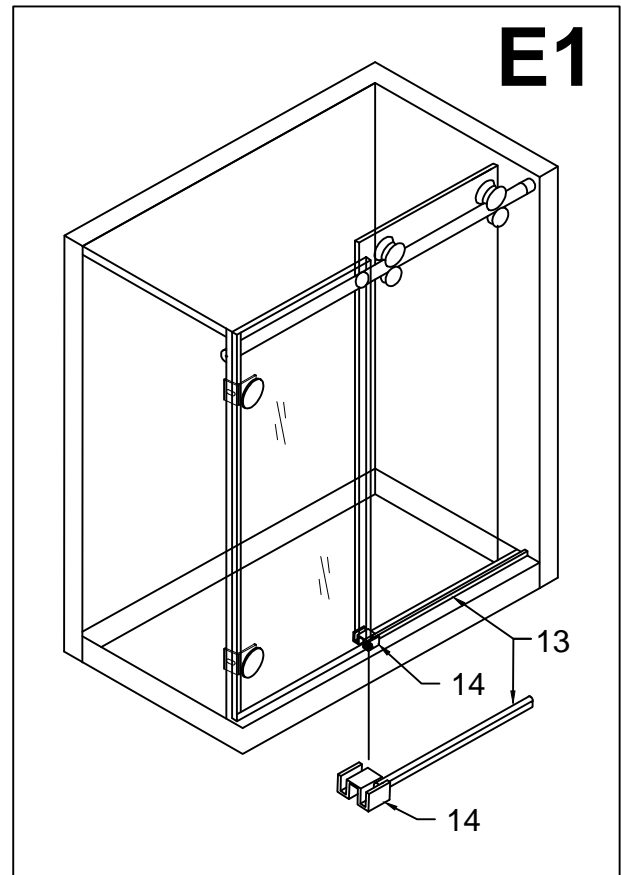


6. Screw the roller guides (#10) to the door panel as illustrated in step C2.



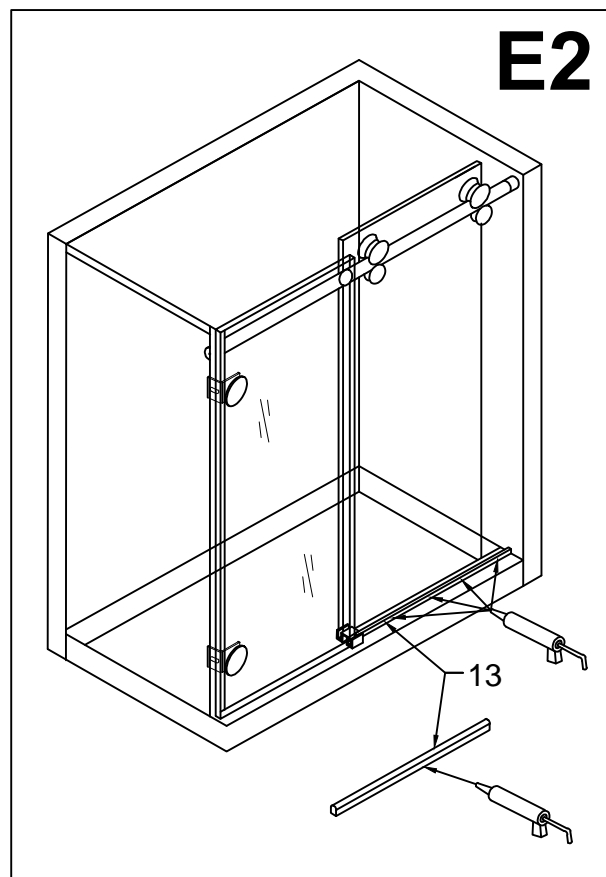
## E. INSTALLING THE THRESHOLD

1. Place the threshold (#13) into the door bottom guide (#14). Note that the end of the threshold should go halfway inside the door bottom guide. If the threshold is too long, cut it with a hacksaw until it fits the opening.

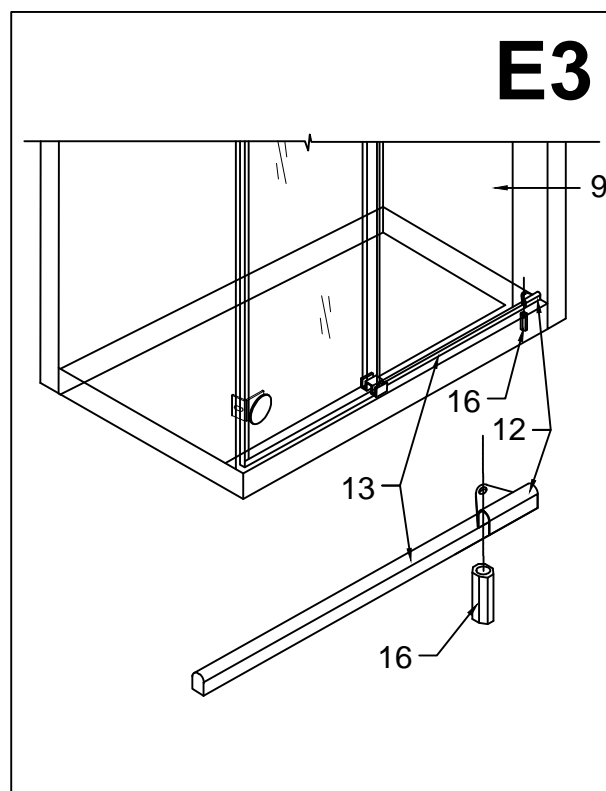




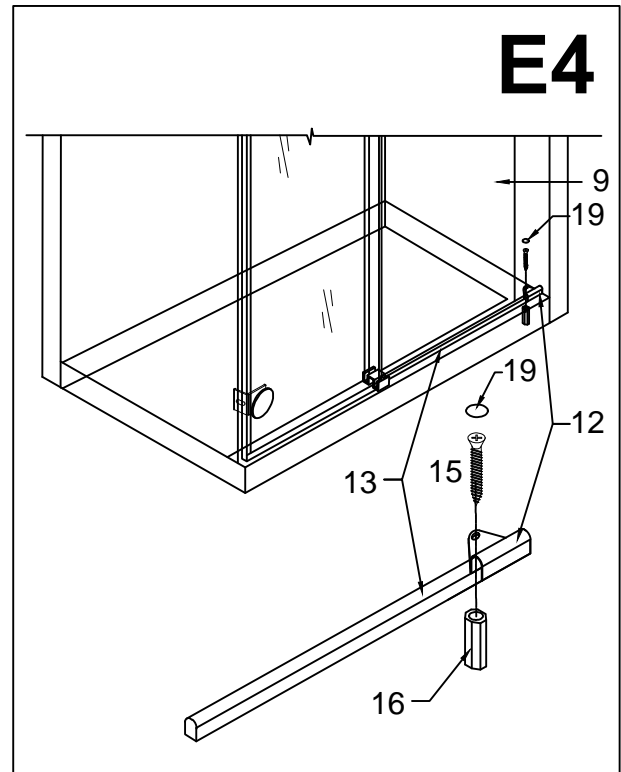
- Remove the threshold. Apply silicone to the underside of the threshold. Place the threshold back into its shower base location. Align the threshold and press firmly down. Apply silicone to the threshold around the inside and outside of the shower base. Remove any excess silicone from the threshold.



- Place the threshold end clip (#12) over the end of the threshold (#13). Mark the location for the screw hole. Remove the threshold end clip and drill a hole where you've marked and place a plastic anchor (#16) inside it. **⚠ Preferred method of installation negates anchors and has the installation going right into studs.**

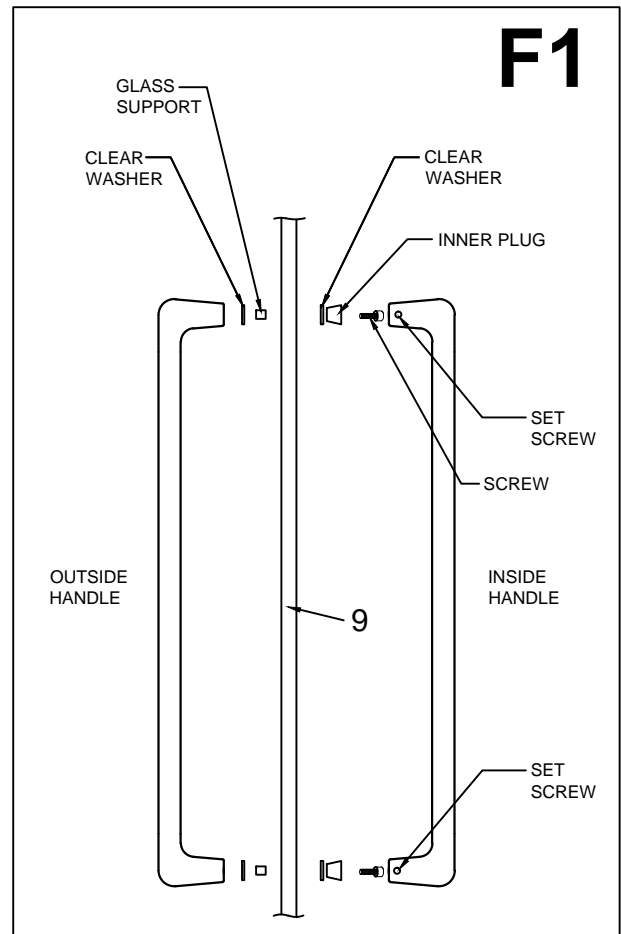


4. Replace the threshold end clip (#12) and screw to the floor with a 1 1/8" phillips screw (#15). Then cover the screw with the 8mm plastic cap (#19).



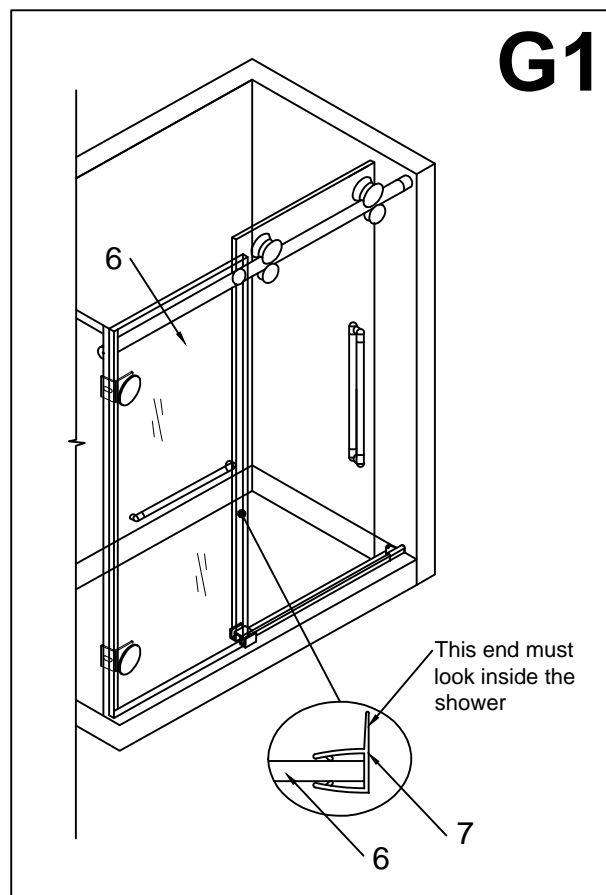
**F. INSTALLING THE HANDLE**

1. Assemble the outside handle to the position on the door (#9) as illustrated. Place the outside handle on the outside of the door and screw from the inside with the provided screw, making sure to have a clear washer on each side of the glass. From the inside, place the inside handle over the screw and secure in place with the provided set screws.

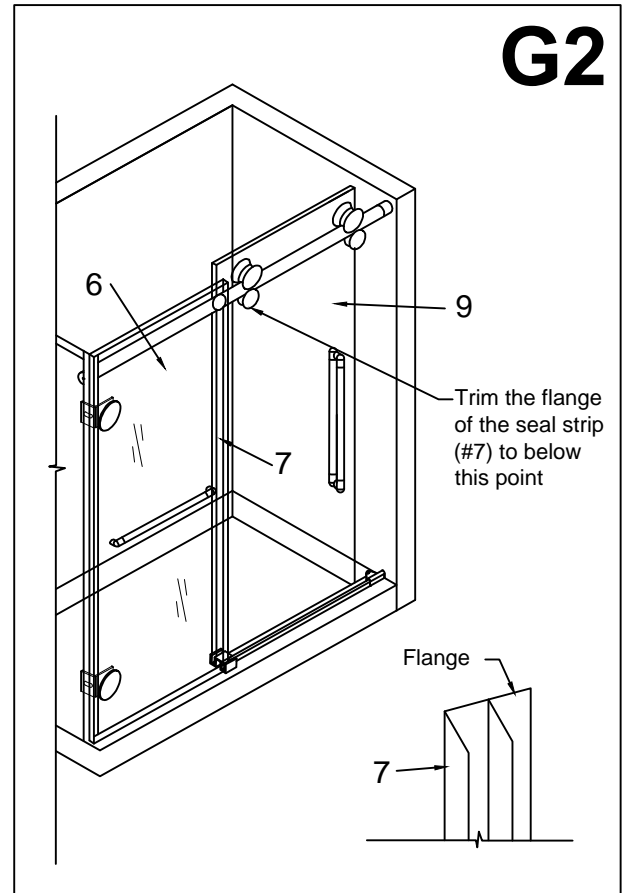


## G. INSTALLING THE WATER SEAL STRIP

1. Attach the F-shaped side seal strip (#7) to the fixed panel. Start at the bottom and work your way up, using the heel of your hand to firmly press the seal strip onto the glass.

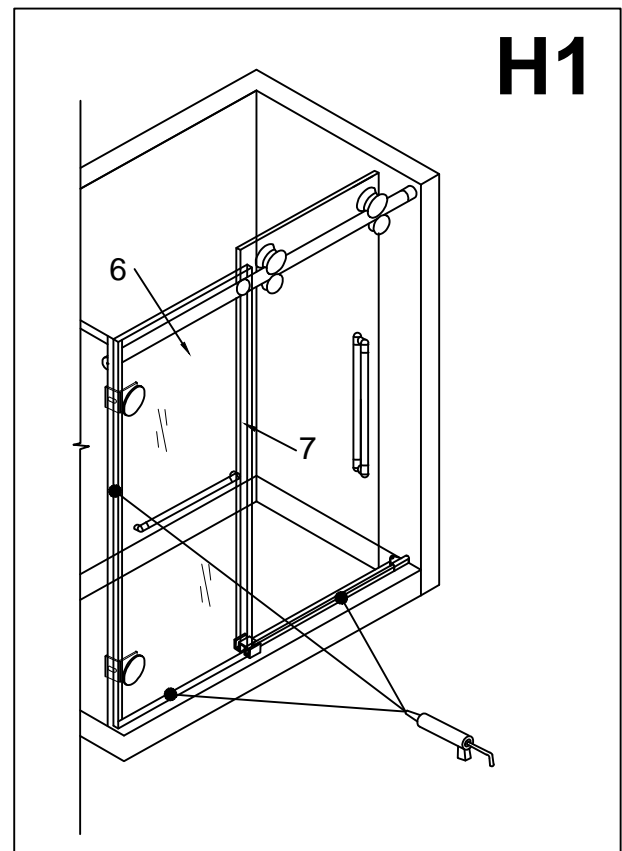


- Trim the flange on the seal strip so that there is enough clearance for the door to roll without the seal strip hitting against the rollers.



## H. APPLYING THE SILICONE

- Apply clear silicone caulking along the wall and floor of the fixed panel interior. Apply clear silicone caulking along the interior of the threshold.



**⚠ IMPORTANT**

- WAIT 24 HOURS BEFORE USING SHOWER
- DO NOT ALLOW WATER TO DIRECTLY HIT DOOR SEAL STRIPS.

**CLEANING INSTRUCTIONS FOR THE SHOWER CABIN AND DOOR PANEL**

1. Use a mild liquid household cleaner to keep metal surfaces bright and clean. Rinse well and dry with a soft, clean cloth.
2. Remove dust with a soft, damp cloth.
3. Use a standard household window cleaner to clean the glass panels.
4. A water beading treatment, similar to what you would use on an automobile windshield, can be used on the inside of the glass to keep it looking brand new.
5. Use rubbing alcohol to clean and remove grease, oil, paint and ink.
6. Should you accidentally scratch or stain your shower enclosure, use a liquid automobile polish to remove.

**⚠ IMPORTANT**

1. DO NOT use abrasive cleaners, scrapers, metal brushes or any items that could scratch or dull the surface.
2. DO NOT allow surface to come in contact with acetone (nail polish remover), dry cleaning solution, lacquer thinner, gasoline or other similar products.

**REGULAR CARE AND MAINTENANCE OF YOUR VIGO SHOWER ENCLOSURE**

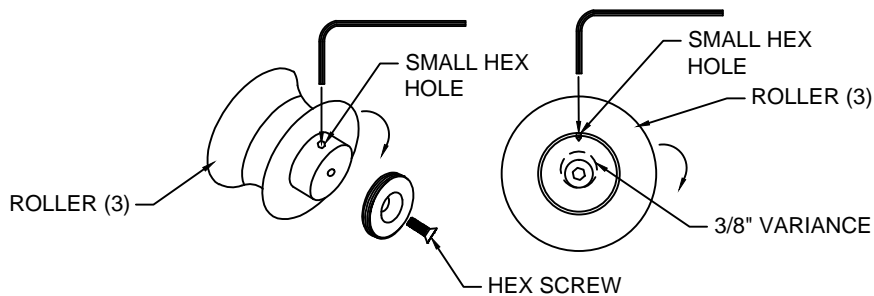
Your home is a moving entity, shifting and settling over time. Vigo understands this and has designed their shower enclosures with this in mind. It is the responsibility of the homeowner or end user to maintain the integrity of their newly installed enclosure, using the integrated adjustability features. In order to keep your shower enclosure in optimal working condition, Vigo recommends regularly inspecting your enclosure and tightening any hardware that may have loosened during use. This simple step will insure optimal results from your Vigo shower enclosure for many years to come.

**⊘ IMPORTANT**

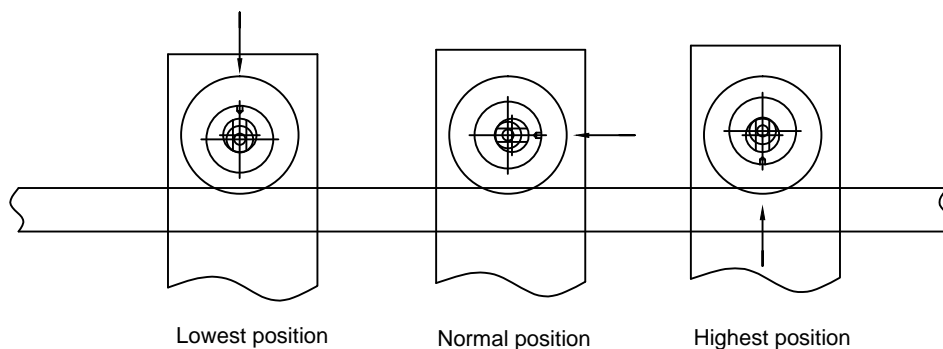
**ROLLER ADJUSTMENTS TO ACCOMMODATE OUT OF SQUARE OPENINGS**

NOTE: There is a 3mm adjustment in the roller to use in the case that your walls are not plumb and level. Using an allen key, you will be able to adjust the roller to accommodate for the variance.

1. Loosen the hex screw to allow for movement. Then place the allen key in the small hex hole as shown and roll it to the right or left to make the adjustment. [See Fig.1]
2. Fig.1A displays the 3 different positions.
3. If your walls are plumb and level, follow the configuration in Fig. 2.
4. If your wall is off on the top, the rollers should be adjusted as shown in Fig. 3.
5. If your wall is off on the bottom, the rollers should be adjusted as shown in Fig. 4.



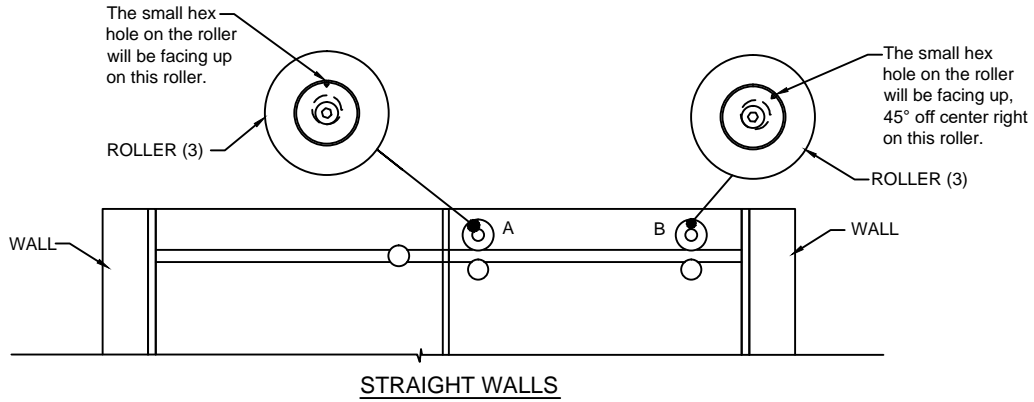
**FIG. 1**



**FIG. 1A**

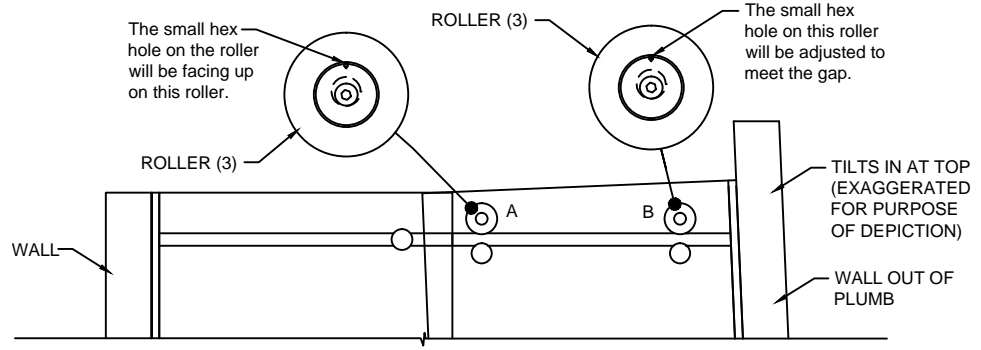
**⊘ IMPORTANT**

NOTE: These adjustments are approximate. You may need to adjust the direction of the small hex hole to meet your needs.



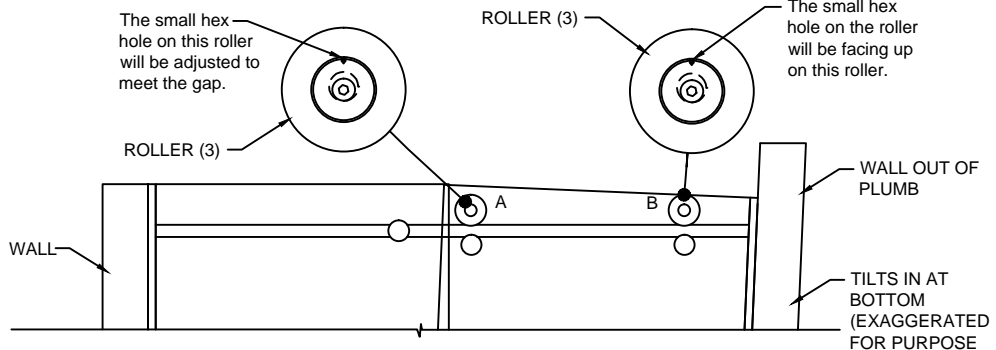
WALL DIRECTION	ROLLER "A" SMALL HEX HOLE DIRECTION	ROLLER "B" SMALL HEX HOLE DIRECTION
STRAIGHT WALL	UP	UP, 45° RIGHT

FIG. 2



WALL DIRECTION	ROLLER "A" SMALL HEX HOLE DIRECTION	ROLLER "B" SMALL HEX HOLE DIRECTION
TOP ANGLED	UP	ADJUST AS NEEDED

FIG. 3



WALL DIRECTION	ROLLER "A" SMALL HEX HOLE DIRECTION	ROLLER "B" SMALL HEX HOLE DIRECTION
BOTTOM ANGLED	ADJUST AS NEEDED	UP

FIG. 4

VIGO INDUSTRIES, LLC ("VIGO")  
SHOWER ENCLOSURE LIMITED LIFETIME WARRANTY

EFFECTIVE JANUARY 1, 2010

VIGO offers the following limited warranty on each of its Shower Enclosure products\* (the "Product") and the components thereof. This warranty extends only to the original owner or end-user for personal household use. For commercial uses, additional limitations apply.

VIGO warrants the structural glass component of the Product to be free from defects in workmanship and materials under normal use and service for the period commencing from the initial date of purchase by the owner or end-user, contractor, or builder, from VIGO or an authorized VIGO dealer, through the lifetime of the original owner or end-user.

VIGO warrants the hardware components of the Product to be free from defects in workmanship and materials under normal use and service for a period of two (2) years from the initial date of purchase by the owner or end-user, contractor, or builder, from VIGO or an authorized VIGO dealer.

VIGO warrants the seal strip components of the Product to be free from defects in workmanship and materials under normal use and service for a period of one (1) year from the initial date of purchase by the owner or end-user, contractor, or builder, from VIGO or an authorized VIGO dealer.

Subject to the Warranty Service provision below, any product reported to the authorized dealer or to VIGO as being defective within the warranty period will be repaired or replaced (with a product of equal value) at the option of VIGO. This warranty extends to the original owner or end-user and is not transferable to a subsequent owner.

Neither the distributor, authorized VIGO dealer, nor any other person has been authorized to make any affirmation, representation, or warranty other than those contained in this warranty. Any affirmation, representation, or warranty other than those contained in this warranty shall not be enforceable against VIGO or any other person.

VIGO reserves the right to modify this warranty at any time, it being understood that such modifications will not alter the warranty conditions applicable at the time of sale of the products in question.

#### Limitations

This warranty shall not apply to instances of incorrect operating procedures, breakages, or damages caused by fault through improper installation, carelessness, abuse, misuse, misapplication, improper maintenance, or alteration of the Product, as well as chemical or natural corrosion, accident, fire, flood, an act of God, or any other casualty. Avoid abrasive cleaners, steel wools, and harsh chemicals as these will scratch, damage, and / or dull the product and / or finish and void this warranty. The owner/end-user of the Product covered by the present warranty is entirely responsible for its proper installation and any applicable plumbing or electrical wiring. VIGO neither installs nor supervises the installation nor hires a contractor for this purpose; consequently, VIGO cannot be held responsible for any default, breakage, or damages caused thereby or resulting thereof, either directly or indirectly.

The owner/end-user must provide access to the components of the Product as described in the installation guide so that VIGO can execute the warranty specified herein. If such access is not available, all expenses to provide said access will be the responsibility of the owner/end-user.

This warranty does not apply to Products that have not been installed or operated in accordance with instructions supplied by VIGO and all applicable rules, regulations, and legislation pertaining to such installations.

This warranty does not apply unless the VIGO Product is installed by fully insured licensed professionals. VIGO strongly recommends that such licensed professionals have experience in the installation of bathroom and kitchen products. Installation of certain products, including, without limitation, glass products (i.e., shower doors and glass sinks) by an inexperienced person may result in glass breakage and, consequently, cause personal injury or death.

VIGO is not liable for personal injuries or deaths to any persons or for any direct, special, incidental, or consequential damage, loss of time, loss of profits, inconvenience, incidental expenses, labor or material charges, or any other costs resulting from the use of the product or equipment or pertaining to the application of the present warranty, or resulting from the removal or replacement of any product or element or part covered by this warranty.

EXCEPT AS OTHERWISE PROVIDED ABOVE, VIGO MAKES NO WARRANTIES, EXPRESSED OR IMPLIED, INCLUDING WARRANTIES OF MERCHANTABILITY AND FITNESS FOR A PARTICULAR PURPOSE OR COMPLIANCE WITH ANY CODE.

In any case, VIGO cannot be held liable for any amount over and above the purchase price paid for the Product by the owner/end-user, contractor, or builder.

#### Commercial Limitations

In addition to the above conditions and limitations, the warranty period for products installed for commercial applications or used in commercial ventures is one (1) year from the initial date of purchase by the owner/end-user, contractor, or builder from an authorized dealer. VIGO is not responsible for loss of use or profit under any circumstances. If the product is used as a display, the warranty period begins when the product is placed on display. This warranty gives the owner/end-user specific legal rights. The owner/end-user may also have other rights which can vary from one state or province to another.

#### Warranty Service

In order to obtain service provided under this warranty during regular business hours, contact the dealer or distributor who sold the unit, or contact VIGO directly. VIGO will provide the warranty service described above when the following conditions have been met: the failure is of the nature or type covered by the warranty; the user has informed an authorized VIGO Agent or VIGO's warranty service department representative of the nature of the problem during the warranty period; conclusive evidence (e.g., proof of purchase or installation) is provided to the foregoing by the user proving that the failure occurred or was discovered within the warranty period; an authorized independent service person or company representative has been permitted to inspect the product during regular business hours within a reasonable time after the problem was reported by the user. VIGO's warranty obligation shall be discharged upon tender of replacement or repair. The customer's refusal to accept the tender terminates VIGO's warranty obligations.

\*Certain models are pending approval.  
Certification may be ended by VIGO or certification agencies without notice.