

California Faucets®

# Decorative Grab Bar

KNURLED END WITH CONCAVE BASE

## Features

- All brass construction
- 1-1/4" diameter bar
- Concealed mounting
- Mounting hardware included

- 9412D-30K
- 9418D-30K
- 9424D-30K
- 9430D-30K
- 9436D-30K
- 9442D-30K
- 9448D-30K

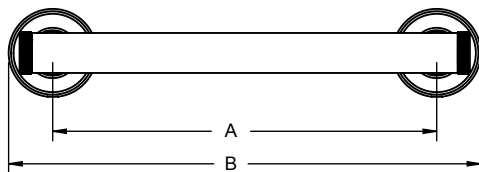


9418D-30K SHOWN

## Codes/Standards Applicable

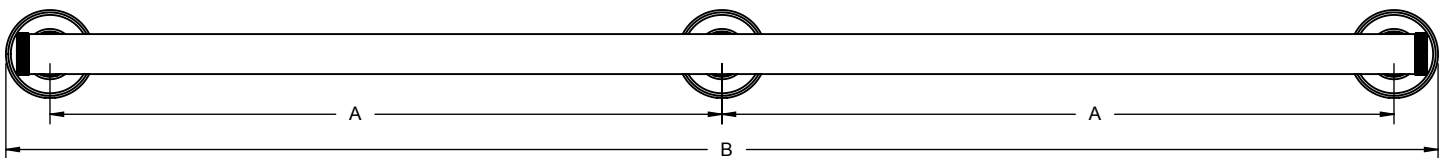
Product meets or exceeds the following:

- ADA compliant

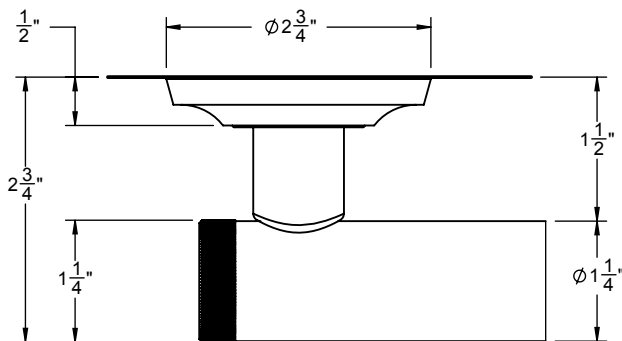


FRONT VIEW  
(2 POST)

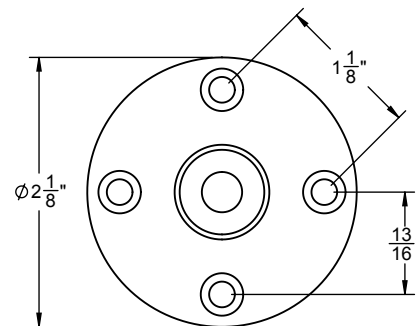
	DECORATIVE GRAB BAR	DIM. A	DIM. B
2 POST	9412D-30K	12"	14 <sup>13</sup> / <sub>16</sub> "
	9418D-30K	18"	20 <sup>13</sup> / <sub>16</sub> "
	9424D-30K	24"	26 <sup>13</sup> / <sub>16</sub> "
	9430D-30K	30"	32 <sup>13</sup> / <sub>16</sub> "
	9436D-30K	36"	38 <sup>13</sup> / <sub>16</sub> "
3 POST	9442D-30K	21"	44 <sup>13</sup> / <sub>16</sub> "
	9448D-30K	24"	50 <sup>13</sup> / <sub>16</sub> "



FRONT VIEW  
(3 POST)



TOP VIEW



WALL MOUNT FLANGE

- (8X) - 2 POST GRAB BAR  
#8 X 1-3/4" PHILLIPS HEAD SCREW
- (12X) - 3 POST GRAB BAR  
#8 X 1-3/4" PHILLIPS HEAD SCREW

SPECIFICATIONS SUBJECT TO CHANGE WITHOUT NOTICE

ALL DIMENSIONS SHOWN TO NEAREST 1/16"