



California Faucets®

Decorative Grab Bar

SMOOTH END WITH ROUND BASE

Features

- All brass construction
- 1-1/4" diameter bar
- Concealed mounting
- Mounting hardware included

- 9412D-65
- 9418D-65
- 9424D-65
- 9430D-65
- 9436D-65
- 9442D-65
- 9448D-65

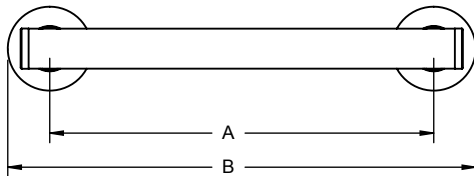


9418D-65 SHOWN

Codes/Standards Applicable

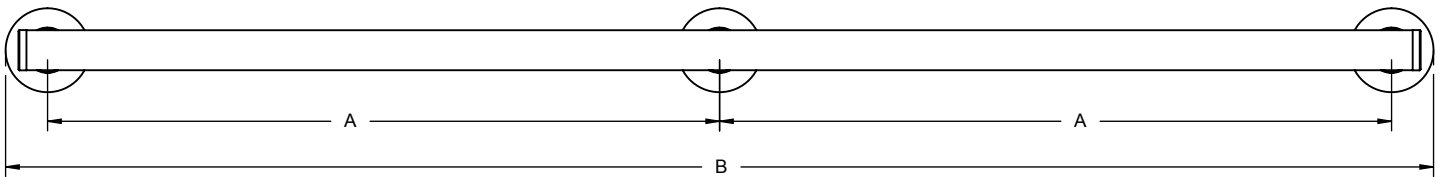
Product meets or exceeds the following:

- ADA compliant

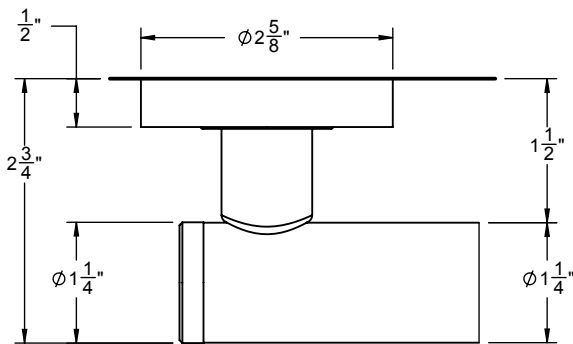


FRONT VIEW
(2 POST)

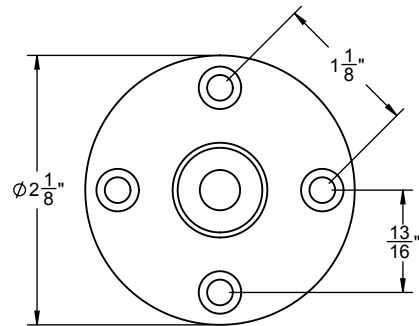
	DECORATIVE GRAB BAR	DIM. A	DIM. B
2 POST	9412D-65	12"	14 ⁵ / ₈ "
	9418D-65	18"	20 ⁵ / ₈ "
	9424D-65	24"	26 ⁵ / ₈ "
	9430D-65	30"	32 ⁵ / ₈ "
	9436D-65	36"	38 ⁵ / ₈ "
3 POST	9442D-65	21"	44 ⁵ / ₈ "
	9448D-65	24"	50 ⁵ / ₈ "



FRONT VIEW
(3 POST)



TOP VIEW



WALL MOUNT FLANGE

- (8X) - 2 POST GRAB BAR
#8 X 1-3/4" PHILLIPS HEAD SCREW
- (12X) - 3 POST GRAB BAR
#8 X 1-3/4" PHILLIPS HEAD SCREW

SPECIFICATIONS SUBJECT TO CHANGE WITHOUT NOTICE

ALL DIMENSIONS SHOWN TO NEAREST 1/16"