

California Faucets®

Decorative Grab Bar

BALL END WITH CONCAVE BASE

Features

- All brass construction
- 1-1/4" diameter bar
- Concealed mounting
- Mounting hardware included

- 9412D-64
- 9418D-64
- 9424D-64
- 9430D-64
- 9436D-64
- 9442D-64
- 9448D-64

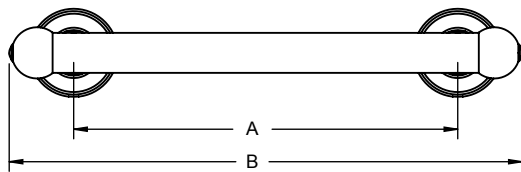


Codes/Standards Applicable

Product meets or exceeds the following:

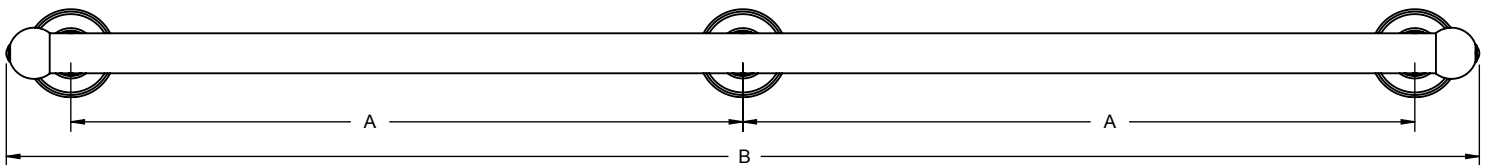
- ADA compliant

9418D-64 SHOWN

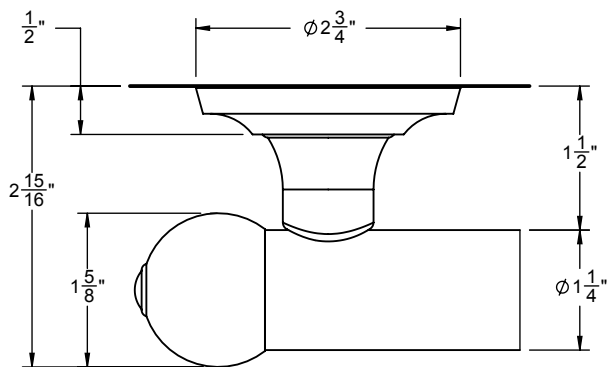


FRONT VIEW
(2 POST)

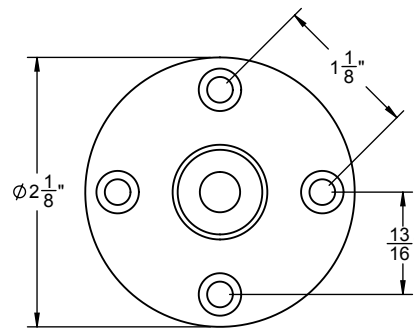
	DECORATIVE GRAB BAR	DIM. A	DIM. B
2 POST	9412D-64	12"	16 $\frac{1}{16}$ "
	9418D-64	18"	22 $\frac{1}{16}$ "
	9424D-64	24"	28 $\frac{1}{16}$ "
	9430D-64	30"	34 $\frac{1}{16}$ "
	9436D-64	36"	40 $\frac{1}{16}$ "
3 POST	9442D-64	21"	46 $\frac{1}{16}$ "
	9448D-64	24"	52 $\frac{1}{16}$ "



FRONT VIEW
(3 POST)



TOP VIEW



WALL MOUNT FLANGE

- (8X) - 2 POST GRAB BAR
#8 X 1-3/4" PHILLIPS HEAD SCREW
- (12X) - 3 POST GRAB BAR
#8 X 1-3/4" PHILLIPS HEAD SCREW

SPECIFICATIONS SUBJECT TO CHANGE WITHOUT NOTICE

ALL DIMENSIONS SHOWN TO NEAREST 1/16"