

COLLECTION SPECIFICATIONS



DOUBLE BOWL Farmhouse Stainless Steel Kitchen Sink, Grid and Strainer Model VGR3320BLK1

FEATURED MODEL VGR3320BLK1

SINK FEATURES

- 16 gauge, stainless steel
- 304 Nickel - Bearing Content
- 15 mm radius corners
- Elegant and functional drain grooves
- Long-lasting, easy-to-clean, satin finish
- Sound-deadening insulation
- Rear drain placement
- Round apron front

PACKING LIST

- Sink
- Cut-out Template
- Mounting Hardware
- Strainer (2)
- Grid (2)



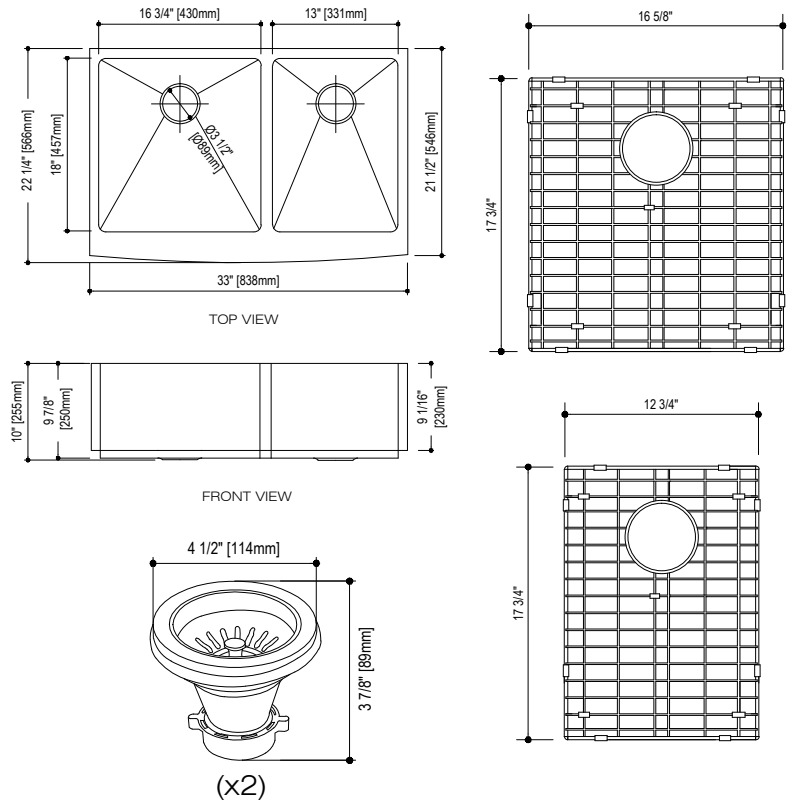
NOMINAL DIMENSIONS

MODEL #	BOWL SIZE	SINK DEPTH	EXTERIOR DIM.	GAUGE
VGR3320BL	16 3/4" X 18" 13" X 18"	9 7/8"	33" X 22 1/4"	16

MODEL #	WIDTH	LENGTH	HEIGHT
VGG1618	16 5/8"	17 3/4"	1"
VGG1218	12 3/4"	17 3/4"	1"

MODEL #	DIAMETER	DEPTH
VGSTRAINER	4 1/2"	3 7/8"

NOTE: THESE SINKS ARE INTENDED FOR INDOOR KITCHEN USE ONLY. THEY ARE NOT RATED FOR OUTDOOR USE. INSTALLATION OF THIS SINK IN AN OUTDOOR SETTING WILL VOID ANY WARRANTY ON THIS PRODUCT.



This Sink Kitchen Collection (VGR3320BLK1) comes with Sink VGR3320BL, Grid VGG1618, Grid VGG1218 and 2 Strainers VGSTRAINER. For return purposes, all 5 pieces must be returned to receive credit. No partial credit will be given on any partial kits received.

Installation instructions Farmhouse Sinks

General Recommendations:

Read installation and maintenance instructions thoroughly before installation. Inspect your sink for any noticeable damage before installation. Check all local applicable plumbing and building codes.

These instructions are based on application to composite material or solid surface countertop installation only; countertop application to stone, marble, granite or butcher-block should be referred to experienced countertop fabricator for custom installation.

Vigo Farmhouse series sinks are individually hand-crafted and Vigo suggests using experienced and professional installers only. For custom cutting of countertop and installation of the actual sink, on-site installation is also recommended. Acceptable variances are approximately 1/2 of an inch. Alignment to cut-out and precise application and trimming of any adhesive sealant are critical to a superior fit and finished look. Please take extra care in this regard.

Vigo Farmhouse series sinks require custom order cabinets. Consult your cabinet dealer.

Vigo does not accept any liability for damage to countertop, sink fixture, faucets or personal injury during installation. Warranty is void if installation instructions are not followed.

Tools and Materials needed:

Tape Measure	Denatured Alcohol	Wood Braces
Pencil (NOT ink)	Ear Protection	Framing Square
Silicone Adhesive Sealant	Eye Protection	Shims
Rags	Hacksaw/Jigsaw	

Be sure to use proper tools and always wear personal safety accessories for your protection.

Installation Options:

Vigo Farmhouse series sinks offer installation options depending on your design.

Undermount Installation

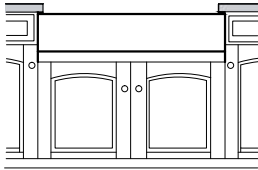


Figure 1

Flush mount Installation

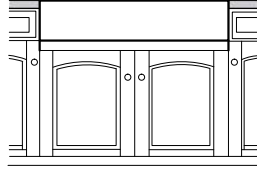


Figure 2

Above counter Installation

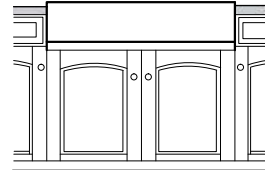


Figure 3

Caution: All installation types need to allow room for faucet installation. Ensure adequate clearance behind the sink for any faucet and backsplash, as well as full range of motion for faucet spouts and handles.

Typical undermount installation with 1/4" reveal recommended.

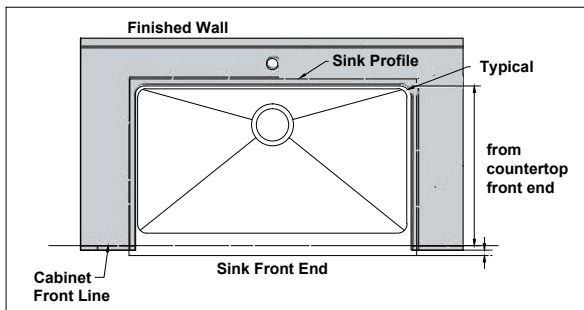


Figure 4

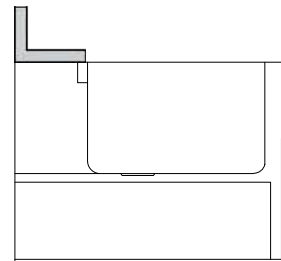


Figure 5

Typical flush mount and above counter installation

Above counter installation may expose sink sides to be raised above the countertop.

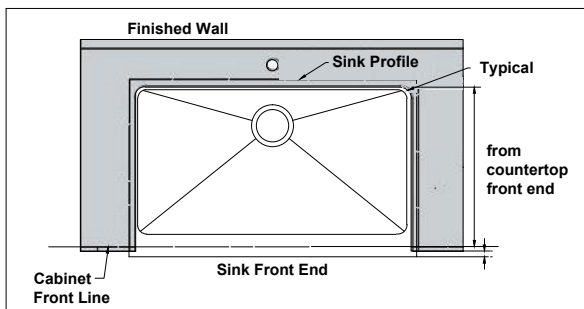


Figure 6

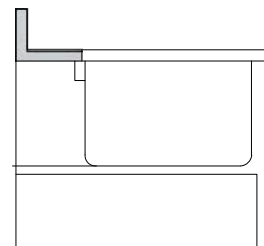


Figure 7

Contact your retailer if any product is damaged or missing prior to installation. Never install a damaged sink as it can void your warranty.

1. Prepare the sink base cabinet

Farmhouse sinks require custom order sink base cabinets with a front cutout to accommodate a 10" deep sink. Build structural supports on the inside frame of the sink base cabinet. The structural supports must support the weight of the sink and any attachments such as garbage disposals. When the sink is placed onto the cabinet support, make sure the top of the sink is evenly flush against the bottom of the countertop. Allow clearance for water supply line and drains or garbage disposal, as necessary.

2. Make template and cutout

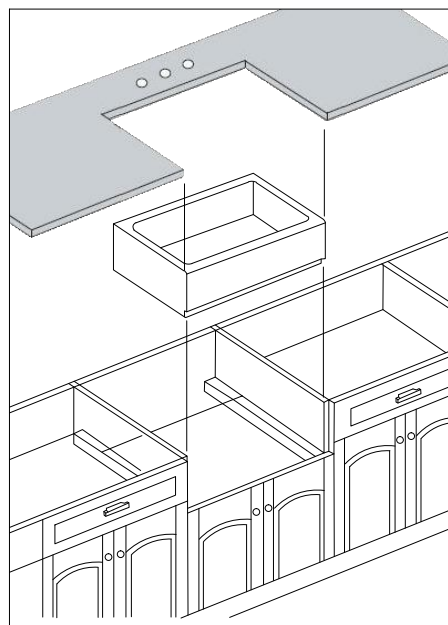
Depending on the installation option, make proper cutout of the countertop. Vigo recommends a 1/4" reveal on 3 sides when installed undermount style. For a flush mount or above counter installation, cut countertop along with outside of sink profile. Front end of Vigo Farmhouse sinks are designed to be installed 3/4" extended out beyond the front end of the countertop. Cut countertop accordingly. No template is provided due to the custom nature of each application and installation. The actual sink is used as the template guide for each installation. After centering the sink and allowing for faucets and backsplashes, use a pencil to outline the sinks as your guide for the cutout, allowing for any reveal before the actual cutting.

3. Set the sink

Set the sink on top of the cabinet or into the cabinet front cutout. Apply sealant if necessary as a gasket between the sink and cabinet.

4. Install the countertop

Carefully clean bottom of countertop and top flange of sink with denatured alcohol. Apply bead of silicone adhesive (not supplied) around the top edge of the sink. Place countertop onto the sink. Remove excess sealant from the lip of any surfaces with a cleaner recommended by manufacture of adhesive sealant.



Care and Maintenance**ALWAYS**

- Clean everyday by thoroughly rinsing with a mild soap and warm water and wipe dry.
- Rub lightly with a soft cloth in the direction of grain lines on a regular basis for additional preventative cleaning.
- Keep the sink free of any standing water as this can cause a buildup of mineral deposit, which can affect the appearance of your sink.
- Any stubborn stains should be removed by scrubbing in the direction of the grain with a mild abrasive such as Comet.
- Always rinse the sink after using any cleaning agent and wipe dry. Clean any mineral deposits built up over time with a mild solution of vinegar and water followed by a thorough flushing with water.
- Remove any scratches with a Scotch-brite pad and cleaning agent rubbing in the direction of the grain. **NOT RECOMMENDED FOR MIRROR FINISH.**

NEVER

- Leave water spots, steel cookware or utensils in the sink for lengthy periods; iron particles often develop rust spots in the stainless steel surface.
- Use a steel wool or scoring pad as it damages the sink surface and causes discoloration.
- Let household cleaning agents or bleach sit in your sink for long period of time as this may ruin the finish of your sink.
- Leave rubber mats, sponges, or cleaning pads in the sink for long period of time as this may ruin the finish of your sink.
- Use any drain cleaning products containing sulfuric acid or hydrochloric acid as this will attack the sink. Silver cleaners can also contain acids that will damage the sink surface.
- Use the inside of the sink as cutting surface.

VIGO INDUSTRIES, LLC ("VIGO")
KITCHEN SINK LIMITED LIFETIME WARRANTY

EFFECTIVE JANUARY 1, 2010

VIGO offers the following limited warranty on each of its Kitchen Sink products* (the "Product"). This warranty extends only to the original owner or end-user for personal household use. For commercial uses, additional limitations apply.

VIGO warrants the Product to be free from defects in workmanship and materials under normal use and service for the period commencing from the initial date of purchase by the owner or end-user, contractor, or builder, from VIGO or an authorized VIGO dealer, through the lifetime of the original owner or end-user.

Subject to the Warranty Service provision below, any product reported to the authorized dealer or to VIGO as being defective within the warranty period will be repaired or replaced (with a product of equal value) at the option of VIGO. This warranty extends to the original owner or end-user and is not transferable to a subsequent owner.

Neither the distributor, authorized VIGO dealer, nor any other person has been authorized to make any affirmation, representation, or warranty other than those contained in this warranty. Any affirmation, representation, or warranty other than those contained in this warranty shall not be enforceable against VIGO or any other person.

VIGO reserves the right to modify this warranty at any time, it being understood that such modifications will not alter the warranty conditions applicable at the time of sale of the products in question.

Limitations

This warranty shall not apply to instances of incorrect operating procedures, breakages, or damages caused by fault through improper installation, carelessness, abuse, misuse, misapplication, improper maintenance, or alteration of the Product, as well as chemical or natural corrosion, accident, fire, flood, an act of God, or any other casualty. Avoid abrasive cleaners, steel wools, and harsh chemicals as these will scratch, damage, and / or dull the product and / or finish and void this warranty. The owner/end-user of the Product covered by the present warranty is entirely responsible for its proper installation and any applicable plumbing or electrical wiring. VIGO neither installs nor supervises the installation nor hires a contractor for this purpose; consequently, VIGO cannot be held responsible for any default, breakage, or damages caused thereby or resulting thereof, either directly or indirectly.

The owner/end-user must provide access to the components of the Product as described in the installation guide so that VIGO can execute the warranty specified herein. If such access is not available, all expenses to provide said access will be the responsibility of the owner/end-user.

This warranty does not apply to Products that have not been installed or operated in accordance with instructions supplied by VIGO and all applicable rules, regulations, and legislation pertaining to such installations.

This warranty does not apply unless the VIGO Product is installed by fully insured licensed professionals. VIGO strongly recommends that such licensed professionals have experience in the installation of bathroom and kitchen products. Installation of certain products, including, without limitation, glass products (i.e., shower doors and glass sinks) by an inexperienced person may result in glass breakage and, consequently, cause personal injury or death.

VIGO is not liable for personal injuries or deaths to any persons or for any direct, special, incidental, or consequential damage, loss of time, loss of profits, inconvenience, incidental expenses, labor or material charges, or any other costs resulting from the use of the product or equipment or pertaining to the application of the present warranty, or resulting from the removal or replacement of any product or element or part covered by this warranty.

EXCEPT AS OTHERWISE PROVIDED ABOVE, VIGO MAKES NO WARRANTIES, EXPRESSED OR IMPLIED, INCLUDING WARRANTIES OF MERCHANTABILITY AND FITNESS FOR A PARTICULAR PURPOSE OR COMPLIANCE WITH ANY CODE.

In any case, VIGO cannot be held liable for any amount over and above the purchase price paid for the Product by the owner/end-user, contractor, or builder.

Commercial Limitations

In addition to the above conditions and limitations, the warranty period for products installed for commercial applications or used in commercial ventures is one (1) year from the initial date of purchase by the owner/end-user, contractor, or builder from an authorized dealer. VIGO is not responsible for loss of use or profit under any circumstances. If the product is used as a display, the warranty period begins when the product is placed on display. This warranty gives the owner/end-user specific legal rights. The owner/end-user may also have other rights which can vary from one state or province to another.

Warranty Service

In order to obtain service provided under this warranty during regular business hours, contact the dealer or distributor who sold the unit, or contact VIGO directly. VIGO will provide the warranty service described above when the following conditions have been met: the failure is of the nature or type covered by the warranty; the user has informed an authorized VIGO Agent or VIGO's warranty service department representative of the nature of the problem during the warranty period; conclusive evidence (e.g., proof of purchase or installation) is provided to the foregoing by the user proving that the failure occurred or was discovered within the warranty period; an authorized independent service person or company representative has been permitted to inspect the product during regular business hours within a reasonable time after the problem was reported by the user. VIGO's warranty obligation shall be discharged upon tender of replacement or repair. The customer's refusal to accept the tender terminates VIGO's warranty obligations.

*Certain models are pending approval.

Certification may be ended by VIGO or certification agencies without notice.

SPÉCIFICATIONS DE LA COLLECTION

VIGO

ÉVIER DOUBLE Évier de cuisine de ferme en acier inoxydable, grille et crépine

Modèle VGR3320BLK1

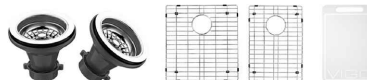
CARACTÉRISTIQUES DU MODÈLE VGR3320BLK1

CARACTÉRISTIQUES DE L'ÉVIER

- Acier inoxydable de calibre 16
- Contenant du nickel 304
- Angles à rayon de courbure de 15 mm
- Rainures du drain élégantes et fonctionnelles
- Fini satin résistant et facile à nettoyer
- Isolation sonore
- Placement du drain arrière
- Avant du tablier arrondi

LISTE DES ARTICLES

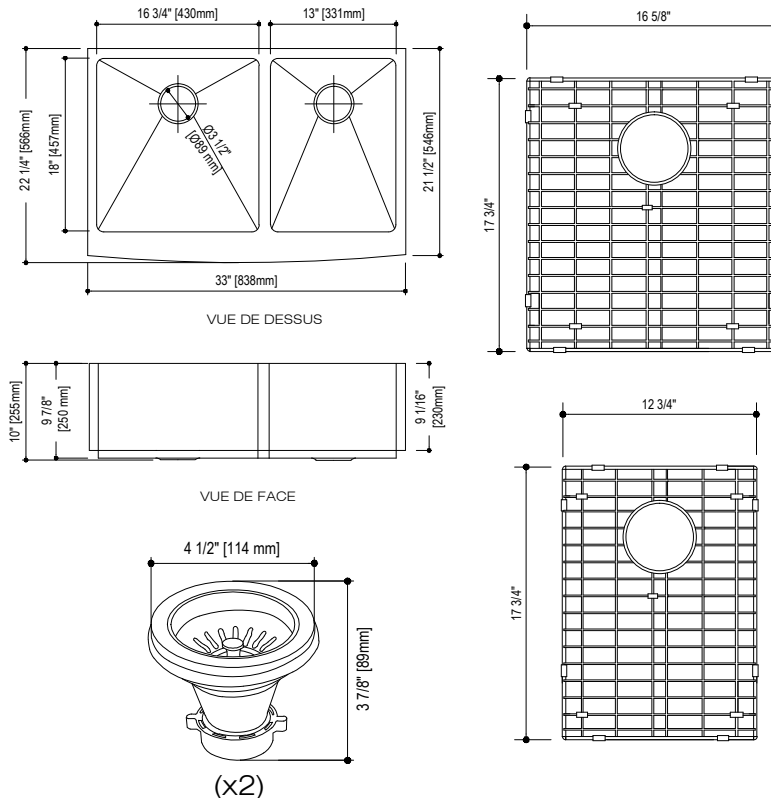
- Évier
- Gabarit de découpe
- Quincaillerie de montage
- Crépine (2)
- Grille (2)



DIMENSIONS NOMINALES

N° DE MODÈLE	TAILLE DE L'ÉVIER	PROFONDEUR DE L'ÉVIER	DIM. EXTÉRIEURE	JAUGE
VGR3320BL	16 3/4" X 18" 13" X 18"	9 7/8"	33" X 22 1/4"	16
N° DE MODÈLE	LARGEUR	LONGUEUR	HAUTEUR	
VGG1618	16 5/8"	17 3/4"	1"	
VGG1218	12 3/4"	17 3/4"	1"	
N° DE MODÈLE	DIAMÈTRE	PROFONDEUR		
VGSTRAINER	4 1/2"	3 5/8"		

REMARQUE: CES PUIXS SONT PRÉVUES POUR INDOOR UTILISATION DE CUISINE SEULEMENT. ILS NE SONT PAS ÉVALUÉ POUR L'EXTÉRIEUR. INSTALLATION DE CET ÉVIER DANS UN DÉCOR NATUREL ANNULE AUCUNE GARANTIE SUR CE PRODUIT.



Cette collection d'évier de cuisine (VGR3320BLK1) comprend l'évier VGR3320BL, la grille VGG1618, la grille VGG1218 et 2 crépines VGSTRAINER. Dans le cas de retour, les 5 pièces doivent être renvoyées pour recevoir un crédit. Aucun crédit partiel ne sera accordé pour les kits incomplets reçus.

Instructions relatives à l'installation des éviers de ferme

Recommandations générales :

Lisez attentivement les instructions relatives à l'installation et à l'entretien avant de procéder à l'installation. Inspectez toujours votre évier pour vérifier s'il n'est pas endommagé avant de procéder à l'installation. Vérifiez tous les codes de plomberie et du bâtiment en vigueur.

Ces instructions concernent uniquement l'installation avec des comptoirs en matériaux composites ayant une surface solide. La pose de comptoir sur des blocs de boucher, du granite, du marbre ou de la pierre doit être effectuée par un fabricant de comptoirs expérimenté qui procédera à une installation personnalisée.

Les éviers de la série Ferme de Vigo sont conçus individuellement de façon artisanale et Vigo vous conseille de faire appel à des installateurs qualifiés et professionnels. Pour découper le comptoir et installer l'évier de façon personnalisée, une installation sur site est également recommandée. Des variations d'environ 1/2 pouce sont acceptables. Il est essentiel que la découpe corresponde précisément à la découpe et à l'application du ruban adhésif pour obtenir un excellent maintien et un fini élégant. Veuillez faire très attention à ce point.

Les éviers de la série Ferme de Vigo nécessitent des armoires personnalisées. Consultez votre revendeur d'armoires.

Vigo n'est pas responsable des dommages causés au niveau du comptoir, de la fixation de l'évier et des robinets, ni des blessures physiques lors de l'installation. La garantie s'annule si les instructions d'installation ne sont pas respectées.

Outils et matériels nécessaires :

Ruban à mesurer	Alcool dénaturé	Attaches pour bois
Crayon (PAS d'encre)	Protection pour les oreilles	Équerre de charpentier
Adhésif en silicone	Protection pour les yeux	Cales
Chiffons	Scie/Scie sauteuse	

Veillez à utiliser les outils adéquats et portez toujours des accessoires de protection personnelle pour votre sécurité

Options d'installation :

Les éviers de la série Ferme de Vigo offrent différentes options d'installation en fonction du design voulu.

Installation encastrée

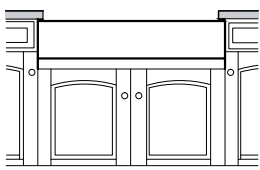


Figure 1

Installation avec montage encastré

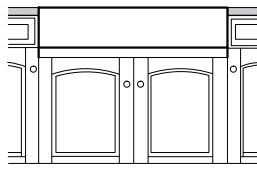


Figure 2

Installation sur un comptoir

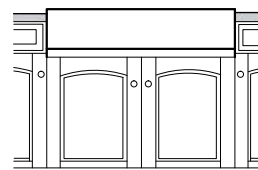


Figure 3

Attention : Tous les types d'installation doivent impliquer un espace suffisant pour pouvoir installer le robinet. Assurez-vous qu'il y ait assez d'espace derrière l'évier pour installer un robinet et un dossier et veillez à ce que les jets d'eau et les poignées du robinet puissent être orientés librement.

Une installation encastrée classique avec un rebord de 1/4" est recommandée.

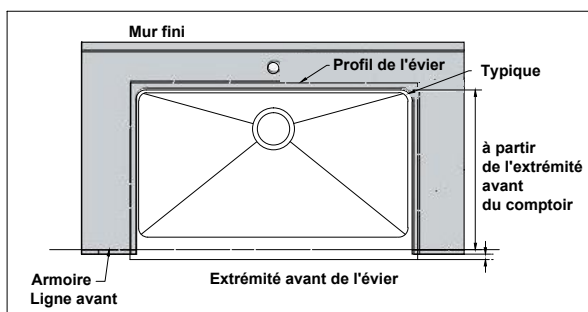


Figure 4

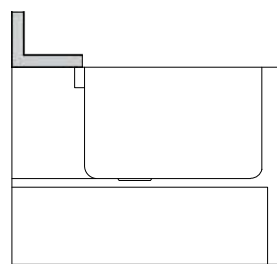


Figure 5

Installation avec montage encastré ou au-dessus d'un comptoir

Dans le cadre d'une installation au-dessus d'un comptoir, les côtés de l'évier peuvent d'être surélevés par rapport au comptoir.

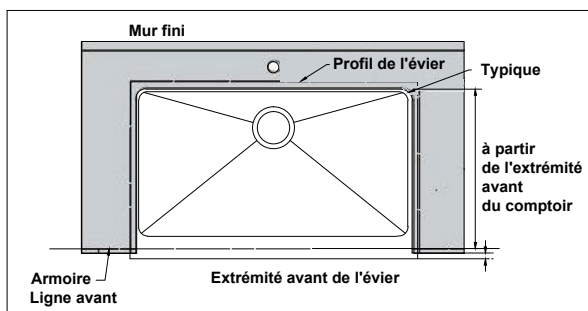


Figure 6

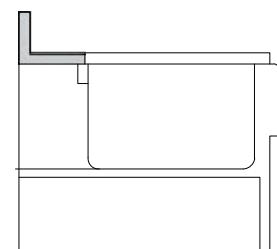


Figure 7

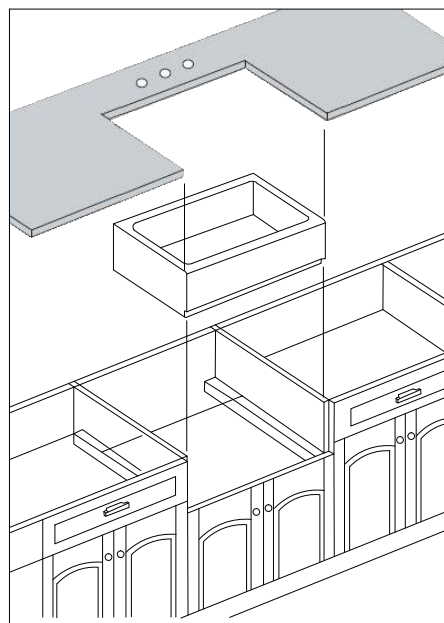
Contactez votre détaillant si le produit est endommagé ou si une pièce manque avant de procéder à l'installation. N'installez jamais un évier endommagé car cela peut annuler votre garantie.

1. Préparez l'armoire de base de l'évier

Les éviers de ferme nécessitent des armoires d'évier personnalisées avec une découpe avant pour s'adapter à un évier de 10". Construisez des supports de structure sur le cadre intérieur de l'armoire de base de l'évier. Les supports de structure doivent soutenir le poids de l'évier ainsi que les divers accessoires comme les poubelles. Lorsque l'évier est placé sur le support d'armoire, assurez-vous que le dessus de l'évier est en contact avec le partie inférieure du comptoir. Laissez un espace pour l'arrivée d'eau et les drains ou les poubelles, le cas échéant.

2. Faites un gabarit et procédez à la découpe.

Selon l'option d'installation, effectuez la découpe correspondant au comptoir. Vigo recommande de laisser un rebord de 1/4" sur les 3 côtés lorsque vous optez pour le style encastré. Pour une installation avec montage encastré ou au-dessus d'un comptoir, coupez le comptoir en suivant les contours extérieurs du profil de l'évier. Les extrémités avant des éviers de ferme de Vigo sont conçues pour être installées 3/4" au-delà de l'extrémité avant du comptoir. Découpez le comptoir en conséquence. Aucun gabarit n'est fourni étant donné qu'il est possible de personnaliser chaque application et installation. L'évier actuel est utilisé comme gabarit pour chaque installation. Après avoir centré l'évier et laissé suffisamment d'espace pour les robinets et les jets d'eau, utilisez un crayon pour tracer le contour de l'évier qui vous guidera au moment de la découpe et laissez un rebord avant de procéder à la découpe.



3. Placez l'évier

Placez l'évier sur le dessus de l'armoire ou dans la découpe avant de l'armoire. Si nécessaire, appliquez du produit d'étanchéité pour créer un joint entre l'évier et l'armoire.

4. Installez le comptoir

Nettoyez avec soin la partie inférieure du comptoir et la bride supérieure de l'évier avec de l'alcool dénaturé. Appliquez une bande d'adhésive de silicone (non fournie) autour du bord supérieur de l'évier. Placez le comptoir sur l'évier. Enlevez le produit d'étanchéité en trop qui se trouve sur le bord des surfaces avec un produit de nettoyage recommandé par le fabricant du produit d'étanchéité adhésif.

Entretien

TOUJOURS

- ° Nettoyez tous les jours l'évier en le rinçant minutieusement avec du savon doux et de l'eau chaude et essuyez-le bien.
- ° Régulièrement, frottez légèrement avec un chiffon doux dans le sens des lignes du grain pour un nettoyage préventif supplémentaire.
- ° Veillez à ce qu'il ne reste pas d'eau stagnante dans votre évier car cela peut entraîner une accumulation de dépôts de calcaire pouvant affecter l'apparence de votre évier.
- ° Les taches tenaces doivent être enlevées en frottant dans le sens du grain avec un produit abrasif doux (Comet, par exemple).
- ° Rincez toujours l'évier après avoir utilisé un produit de nettoyage et essuyez-le bien. Nettoyez les accumulations de calcaire qui se forment avec le temps à l'aide d'une solution douce composée de vinaigre et d'eau, puis rincez minutieusement avec de l'eau.
- ° Enlevez les rayures à l'aide d'une éponge Scotch-Brite et d'un agent nettoyant en frottant dans le sens du grain. **NON RECOMMANDÉ POUR UN FINI ARGENTÉ.**

JAMAIS

- ° Laissez des taches d'eau, des casseroles ou des ustensiles en acier dans l'évier pendant une période prolongée. Les particules de fer développent souvent des points de rouille sur les surfaces en acier inoxydable.
- ° Utilisez une laine d'acier ou un tampon à récurer car cela endommage la surface de l'évier et entraîne une décoloration.
- ° Laissez des produits de nettoyage ou des agents blanchissants dans votre évier pendant une période prolongée car cela peut abîmer le fini de votre évier.
- ° Laissez des tapis en caoutchouc, des éponges ou des tampons de nettoyage dans votre évier pendant une période prolongée car cela peut abîmer le fini de votre évier.
- ° Utilisez des produits nettoyants pour drain contenant de l'acide sulfurique ou de l'acide chlorhydrique car cela attaquera l'évier. Les nettoyants pour argent contiennent des acides qui endommageront la surface de l'évier.
- ° Utilisez l'intérieur de l'évier comme surface pour découper.

EN VIGUEUR LE 1ER JANVIER 2010

VIGO accorde la garantie limitée suivante sur chacun de ses éviers de cuisine* (le « produit ») et leurs composants. Cette garantie ne s'applique qu'au premier acheteur ou utilisateur final en vue d'un usage personnel domestique. D'autres limitations s'appliquent en cas d'usage commercial.

Sous réserve de conditions normales d'utilisation et d'entretien, VIGO garantit le produit contre tout vice matériel ou de fabrication et ce, pendant toute la vie du premier propriétaire ou utilisateur final et à partir de la date du premier achat du produit à VIGO ou à un détaillant autorisé de VIGO, par le propriétaire ou l'utilisateur final, l'entrepreneur ou le constructeur.

Sous réserve de la disposition ci-dessous concernant le service de garantie, tout produit déclaré défectueux auprès d'un détaillant agréé ou de VIGO au cours de la période de garantie sera réparé ou remplacé (par un produit de valeur équivalente) au choix de VIGO. Cette garantie s'applique au premier propriétaire ou utilisateur final et n'est pas transférable à un propriétaire ultérieur.

Aucun distributeur, détaillant agréé de VIGO ou autre tiers n'a reçu l'autorisation de faire des affirmations ou des représentations ou encore de donner des garanties autres que celles contenues dans la présente garantie. Aucune affirmation, représentation ou garantie autre que celles contenues dans la présente garantie n'est opposable à VIGO ou à un tiers.

VIGO se réserve le droit de modifier la présente garantie à tout moment, étant entendu que lesdites modifications ne peuvent changer les autres dispositions applicables au moment de la vente des produits visés.

Limitations

Cette garantie ne s'applique pas en cas de procédures d'utilisation incorrectes, de bris ou de dégâts découlant d'une faute due à une mauvaise installation, à la négligence, à une utilisation abusive, à une utilisation non autorisée, à un mauvais entretien ou à la modification du produit, ainsi qu'à une corrosion chimique ou naturelle, à un accident, à un incendie, à une inondation, à une catastrophe naturelle ou à tout autre sinistre. Les nettoyeurs abrasifs, la laine d'acier et les produits chimiques puissants peuvent érafler, endommager ou ternir le produit et/ou le fini et entraîner l'annulation de la présente garantie. Le propriétaire/l'utilisateur final du produit couvert par la présente garantie est entièrement responsable de sa bonne installation et des travaux de plomberie et de câblage électrique. VIGO n'installe pas le produit, ne supervise pas l'installation ni n'engage un entrepreneur à cette fin. Par conséquent, VIGO ne peut être tenue responsable des défauts, des bris ou des dégâts causés par l'installation ou en découlant, que ce soit directement ou indirectement.

Le propriétaire utilisateur final doit prévoir un accès aux composants du produit conformément aux explications du guide d'installation, afin que VIGO puisse exécuter les obligations stipulées aux présentes. En l'absence dudit accès, toutes les dépenses engagées pour le ménage seront à la charge du propriétaire utilisateur final.

La présente garantie ne s'applique pas aux produits qui n'ont pas été installés ou utilisés conformément aux consignes fournies par VIGO et à l'ensemble des règlements et des lois qui régissent ladite installation.

La présente garantie ne s'applique que si le produit VIGO est installé par des professionnels accrédités et entièrement assurés. VIGO recommande vivement de choisir des professionnels accrédités possédant de l'expérience dans l'installation de produits pour salles de bains et cuisines. Des personnes non expérimentées dans l'installation de certains produits, y compris sans toutefois s'y limiter, les produits en verre (portes de douches et lavabos en verre) sont susceptibles de les briser et, par conséquent, de provoquer des blessures, voire la mort.

VIGO n'est en aucun cas responsable des blessures, des décès ou des dommages directs, spéciaux, consécutifs ou indirects; de la perte de temps; de la perte de profits; des inconvénients; des frais accessoires, des coûts de main-d'œuvre ou de matériaux et de tout autre coût découlant de l'utilisation du produit ou de l'équipement ou en lien avec l'exécution de la présente garantie, ou encore découlant de la dépose ou du remplacement d'un produit, d'une pièce ou d'un élément couvert par la présente garantie.

SAUF DISPOSITION CONTRAIRE CI-DESSUS, VIGO NE FAIT AUCUNE GARANTIE, EXPRESSE OU IMPLICITE, Y COMPRIS DE VALEUR MARCHANDE, D'ADAPTATION À UN USAGE PARTICULIER OU DE CONFORMITÉ À UN CODE.

En aucun cas, VIGO ne peut être tenue responsable de tout montant supérieur au prix d'achat du produit déboursé par le propriétaire/l'utilisateur final, l'entrepreneur ou le constructeur.

Limitations commerciales

Outre les conditions et limitations ci-dessus, la période de garantie des produits installés dans un but commercial ou employés dans des commerces est de un (1) an à partir de la date du premier achat du produit par le propriétaire utilisateur final, l'entrepreneur ou le constructeur. En aucun cas, VIGO ne peut être tenue responsable des pertes de jouissance ou de profits. Si le produit est exposé, la période de garantie commence au moment où il est mis en exposition. La présente garantie confère au propriétaire utilisateur final des droits légaux auxquels peuvent s'ajouter d'autres droits selon l'état ou la province.

Service de garantie

Pour obtenir un service en vertu de la présente garantie pendant les heures normales d'ouverture, communiquez avec le détaillant ou le distributeur qui a vendu l'article, ou contactez directement VIGO. Si les conditions suivantes sont réunies, VIGO fournira le service de garantie décrit plus haut : la nature ou le type du problème est couvert par la garantie; l'utilisateur a informé un représentant autorisé de VIGO ou du service de garantie de VIGO de la nature du problème pendant la période de garantie; l'utilisateur a présenté aux personnes précitées des preuves concluantes (p. ex., preuve d'achat ou d'installation) indiquant que le problème est survenu ou a été découvert pendant la période de garantie; le représentant d'une personne ou une société de service agréée indépendante a pu inspecter le produit pendant les heures d'ouverture normales dans un délai raisonnable après le report du problème par l'utilisateur. Les obligations de VIGO au titre de la garantie seront exécutées lors de la proposition de remplacement ou de réparation. Le refus de ladite proposition par le client met fin aux obligations de VIGO au titre de la garantie.

*Certains modèles sont en attente d'approbation.

VIGO et les organismes de certification peuvent résilier les certificats sans préavis.

ESPECIFICACIONES DEL JUEGO

VIGO

Tazón doble fregadero de acero inoxidable rústico, rejilla y colador Modelo VGR3320BLK1

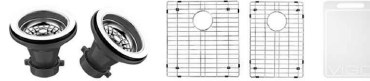
MODELO DESTACADO VGR3320BLK1

CARACTERÍSTICAS DEL FREGADERO

- 16 de ancho, acero inoxidable
- Con contenido de níquel 304
- Esquinas de radio de 15 mm
- Ranuras de desagüe elegantes y funcionales
- Duradero, fácil de limpiar, con acabado satinado
- Aislamiento insonorizante
- Ubicación trasera del desagüe
- Revestimiento redondeado delantero

CONTENIDOS DEL PAQUETE

- Fregadero
- Plantilla de corte
- Ferrería para montarlo
- Colador (2)
- Rejilla (2)



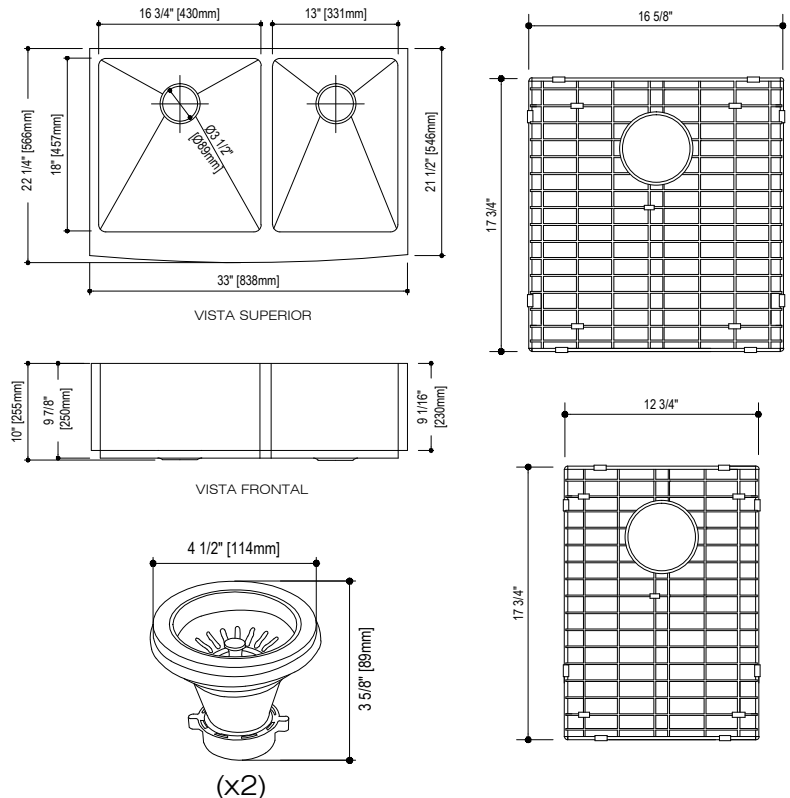
DIMENSIONES NOMINALES

MODELO NRO.	TAMAÑO DE TAZÓN	PROFUNDIDAD DEL FREGADERO	DIM. EXTERIOR	ANCHO
VGR3320BL	16 3/4" X 18" 13" X 18"	9 7/8"	33" X 22 1/4"	16

MODELO NRO.	ANCHO	LARGO	ALTURA
VGG1618	16 5/8"	17 3/4"	1"
VGG1218	12 3/4"	17 3/4"	1"

MODELO NRO.	DIÁMETRO	PROFUNDIDAD
VGSTRAINER	4 1/2"	3 5/8"

NOTA: ESTOS SUMIDEROS ESTÁN DESTINADOS PARA USO DE COCINA EN INTERIORES. NO SON PARA USO EN EXTERIORES. INSTALACIÓN DE ESTE FREGADERO EN UN ESCENARIO AL AIRE LIBRE ANULARÁ CUALQUIER GARANTÍA DE ESTE PRODUCTO.



El juego de fregadero (VGR3320BLK1) viene con el fregadero VGR3320BL, la rejilla VGG1618, la rejilla VGG1218 y dos coladores VGSTRAINER. A los fines de su devolución, deben devolverse las cinco piezas para recibir crédito. No se otorgará crédito parcial por juegos que se reciban incompletos.

Instrucciones de instalación para fregaderos rústicos

Recomendaciones generales:

Lea por completo las instrucciones de instalación y mantenimiento antes de instalarlo. Antes de instalarlo, inspeccione su fregadero para ver si tiene algún daño evidente. Consulte todos los códigos de plomería y construcción locales aplicables.

Estas instrucciones son sólo para la instalación en encimeras de superficie sólida y material compuesto. Consulte con un fabricante de encimeras con experiencia su instalación específica en piedra, mármol, gratino o madera maciza.

Cada uno de los fregaderos de la serie rústica de Vigo está hecho a mano y Vigo sugiere que sólo los coloquen instaladores profesionales y con experiencia. Para realizar cortes e instalaciones especiales del fregadero real, también se recomienda que la instalación se haga en el lugar de destino final. Son aceptables las variables de alrededor de media pulgada. Para que el fregadero encaje a la perfección y su acabado tenga un buen aspecto, es esencial alienarlo con el corte, aplicar con precisión sellador adhesivo y eliminar el exceso de sellador. Sírvase tener especial consideración en lo referente a este aspecto.

La serie de fregaderos rústicos de Vigo requiere armarios de diseño especial. Consulte con su distribuidor de armarios.

Vigo no asume responsabilidad alguna por daños de la encimera, las instalaciones del fregadero, los grifos o lesiones personales durante la instalación. Si no se siguen las instrucciones de instalación, la garantía quedará anulada.

Herramientas y Materiales necesarios:

Cinta métrica	Alcohol Desnaturalizado	Abrazaderas para madera
Lápiz (NO tinta)	Protección para los oídos	Aparejo de encofrado
Sellador adhesivo de silicona	Gafas protectoras	Cuñas
Trapos	Sierra para metales/sierra de vaivén	

Asegúrese de utilizar las herramientas adecuadas y usar siempre accesorios de seguridad personal para protegerse.

Opciones de Instalación:

La serie de fregaderos rústicos de Vigo ofrece opciones de instalación que dependen de su diseño.

Instalación empotrada

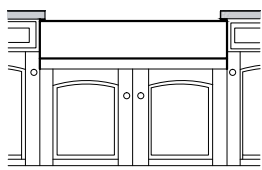


Figura 1

Instalación embutida

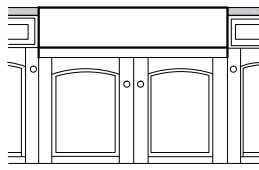


Figura 2

Instalación por encima del fregadero

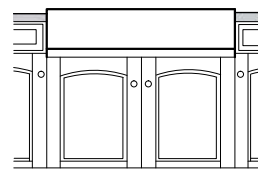


Figura 3

Precaución: todos los tipos de instalación necesitan dejar lugar para la instalación de grifos. Asegúrese de dejar el espacio adecuado detrás del fregadero para los grifos y la losa protectora así como para el movimiento completo de la boca del grifo y sus llaves.

Instalación empotrada típica con la exposición de 1/4" recomendada.

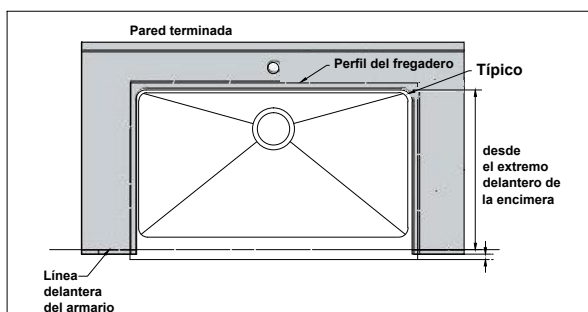


Figura 4

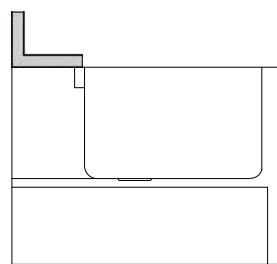


Figura 5

Típico montaje embutido e instalación empotrada

La instalación empotrada puede exponer a los lados del fregadero a elevarse por encima de la encimera.

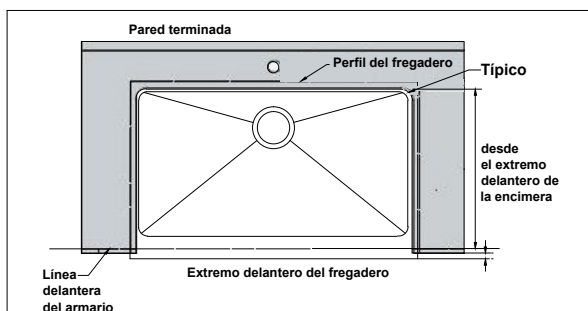


Figura 6

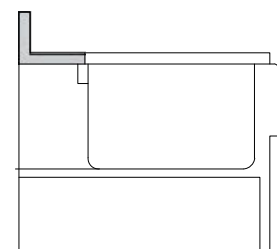


Figura 7

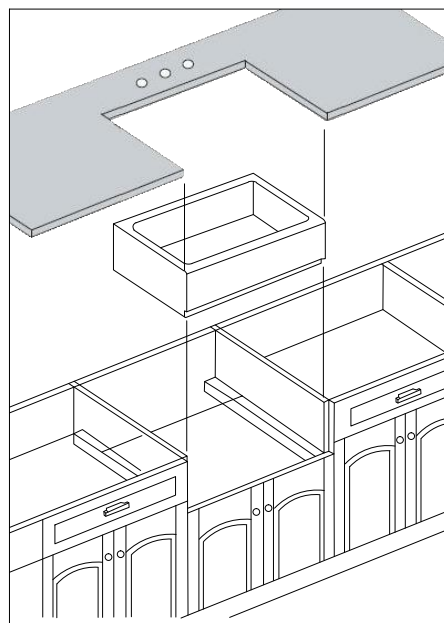
Si algún producto está dañado o falta antes de la instalación, llame a su distribuidor. Nunca instale fregaderos dañados pues eso podría anular su garantía.

1. Preparación del armario de la base del fregadero

Los fregaderos rústicos requieren armarios de base de diseño especial con un corte delantero para fregaderos de 10" de profundidad. Construya apoyos estructurales en el bastidor interior del armario de la base del fregadero. Los apoyos estructurales deben sostener el peso del fregadero y todos sus accesorios, como trituradores de basura. Después de haber colocado el fregadero en el apoyo del armario, asegúrese de que el embutido de su parte superior contra el fondo de la encimera sea parejo. Deje el espacio necesario para la cañería del agua y los desagües o el triturador de basura.

2. Plantilla y corte

Haga el corte de la encimera que sea necesario para la opción de instalación elegida. Para las instalaciones empotradas, Vigo recomienda una exposición de 1/4" en tres lados. Para las instalaciones embutidas, corte la encimera a lo largo del exterior del perfil del fregadero. Los fregaderos rústicos de Vigo están diseñados para que, después de su instalación, su extremo delantero sobresalga 3/4" del extremo delantero de la encimera. Corte la encimera de manera que quede así. Debido a que cada aplicación y cada instalación es particular, no se adjunta plantilla alguna. En cada instalación se utiliza el fregadero real como guía. Después de centrarlo y dejar espacio para los grifos y las losas protectoras, utilice un lápiz para contornear el fregadero como guía para el corte y deje espacio para la parte expuesta antes de hacer el corte real.



3. Colocación del fregadero

Coloque el fregadero sobre el armario o dentro del corte delantero del armario. De ser necesario, aplique el sellador como unión entre el fregadero y el armario.

4. Instalación de la encimera

Limpie con cuidado la encimera y el reborde superior del fregadero con alcohol desnaturalizado. Aplique un reborde de adhesivo de silicona (no incluido) alrededor del borde superior del fregadero. Una la encimera al fregadero. Con un limpiador que recomiende el fabricante del sellador adhesivo, elimine el exceso de sellador del borde de las superficies.

Cuidado y Mantenimiento

SIEMPRE

- ° Enjuáguelo a diario con jabón suave y agua tibia y séquelo con un trapo.
- ° Con regularidad, frótelo ligeramente con un trapo suave en la dirección de las líneas de grano para una mayor limpieza preventiva.
- ° Evite que quede agua estancada en el fregadero pues podría provocar una acumulación de depósitos minerales que pueden afectar su aspecto.
- ° Para eliminar las manchas difíciles, friéguelo en la dirección del grano con un abrasivo suave como Comet.
- ° Siempre enjuáguelo después de utilizar cualquier agente limpiador y séquelo con un trapo. Con una solución suave de vinagre y agua, limpie todos los depósitos minerales acumulados con el tiempo y después enjuáguelo con agua.
- ° Quite los rayones con un trapo Scotch-brite y un agente limpiador. Frote en la dirección del grano. **NO SE RECOMIENDA HACERLO EN ACABADOS BRILLANTES. NUNCA**
- ° Deje manchas de agua, batería de cocina de acero o utensilios en el fregadero durante largos períodos de tiempo. Las partículas de hierro suelen provocar manchas de óxido en la superficie de acero inoxidable.
- ° Utilice lana de acero o trapos abrasivos pues dañan la superficie del fregadero y producen decoloración.
- ° Deje agentes de limpieza domésticos o lejía en su fregadero durante un período de tiempo demasiado largo pues puede arruinar el acabado.
- ° Deje trapos de goma, esponjas o almohadillas de limpieza en su fregadero durante un período de tiempo demasiado largo pues pueden arruinar el acabado.
- ° Utilice ningún producto de limpieza de desagües que contenga ácido sulfúrico o ácido hidroc্লórico dado que atacan el fregadero. Los limpiadores de plata también pueden contener ácidos que dañan la superficie del fregadero.
- ° Utilice el lado interior del fregadero como superficie de corte.

EN VIGENCIA DESDE EL 1° DE ENERO DE 2010

VIGO ofrece la siguiente garantía limitada por todos sus productos de fregadero* (el "Producto"). La presente garantía sólo rige para el propietario o usuario final originales y por el uso personal doméstico. En el caso de usos comerciales, rigen otras limitaciones.

VIGO garantiza que el Producto carecerá de defectos de mano de obra y materiales en condiciones normales de uso y servicio durante un período que comienza en la fecha de compra inicial por parte del propietario/ usuario final, contratista o constructor a VIGO o a un distribuidor autorizado de VIGO y durante toda la vida del propietario o usuario final originales.

Teniendo en cuenta las condiciones de reparación cubierta por la garantía indicadas más abajo, todos los productos que sean objeto de reclamo ante un distribuidor autorizado o ante VIGO por ser defectuosos dentro del período de garantía se repararán o reemplazarán (por un producto de valor equivalente) a discreción de VIGO. La presente garantía rige para el propietario o usuario final originales y no es transferible a propietarios posteriores.

Ni el mayorista, ni el distribuidor autorizado de VIGO ni otras personas tienen autorización para hacer afirmación o declaración algunas u ofrecer garantía alguna que no estén contenidas en la presente garantía. Cualquier afirmación, declaración o garantía no contenidas en la presente no podrán hacerse valer ante VIGO o ante otras personas.

VIGO se reserva el derecho de modificar la presente garantía en cualquier momento y se entiende que dichas modificaciones no alterarán las condiciones de la garantía aplicables en el momento de la venta de los productos en cuestión.

Limitaciones

La presente garantía no regirá en casos de procedimientos incorrectos, rupturas o daños provocados por fallos debidos a instalación inadecuada, falta de cuidado, abuso, mal uso, uso indebido, mantenimiento inadecuado o alteración del Producto así como por corrosión química o natural, accidentes, incendios, inundaciones, fuerza mayor o alguna otra casualidad. Evite usar limpiadores abrasivos, lanas de acero y productos químicos fuertes dado que rayan, dañan u opacan el producto o el acabado y anulan la garantía. El propietario/usuario final del Producto cubierto por la presente garantía es por completo responsable por la instalación adecuada y toda la plomería o el cableado eléctrico necesarios. VIGO no instala ni supervisa la instalación ni subcontrata con dicho fin a contratista alguno. Por ende, no puede considerársela responsable por cualquier defecto, ruptura o daño provocado por la instalación o que resulte de ella, tanto de manera directa como de manera indirecta.

El propietario/usuario final debe brindar acceso a los componentes del Producto tal como se describe en la guía de instalación de manera que VIGO pueda cumplir con la garantía especificada en la presente. En caso de no contar con dicho acceso, todos los gastos para proporcionarlo serán responsabilidad del propietario/usuario final.

La presente garantía no rige para Productos que no se hayan instalado o utilizado según las instrucciones suministradas por VIGO y todas las reglas, normas y legislación aplicables sobre dichas instalaciones.

La presente garantía no tiene vigencia a menos que sean profesionales con licencia y seguro completos quienes instalen el Producto de VIGO. VIGO recomienda con especial énfasis que dichos profesionales licenciados cuenten con experiencia en la instalación de productos de baño y cocina. La instalación de ciertos productos, incluidos, entre otros, productos de vidrio (es decir, puertas de duchas y lavabos de vidrio) por parte de personas sin experiencia puede provocar ruptura del vidrio y, por ende, lesiones personales o la muerte.

VIGO no se hace responsable por lesiones personales o muerte de persona alguna o por daños directos, especiales, accidentales o resultantes, pérdida de tiempo, pérdida de ganancias, inconvenientes, gastos accidentales, honorarios por mano de obra, gastos en materiales o demás costos que sean consecuencia del uso del producto o del equipo o relacionados con la aplicación de la presente garantía o provocados por la extracción o el cambio de algún producto o elemento o pieza cubiertos por la presente garantía.

CON EXCEPCIÓN DE LO ESTIPULADO MÁS ARRIBA, VIGO NO OFRECE GARANTÍA ALGUNA, EXPRESA O IMPLÍCITA, INCLUIDAS GARANTÍAS DE COMERCIALIZACIÓN Y ADECUACIÓN A UN USO PARTICULAR O CUMPLIMIENTO CON CÓDIGO ALGUNO.

En ningún caso puede considerarse a VIGO responsable por monto alguno superior al precio de compra que el propietario/usuario final, contratista o constructor abonaran por el Producto.

Limitaciones comerciales

Además de las condiciones y limitaciones precedentes, el período de garantía de los productos instalados para aplicaciones comerciales o utilizados en locales comerciales es de un (1) año desde la fecha de compra inicial por parte del propietario/usuario final, contratista o constructor a un distribuidor autorizado. VIGO no se hace responsable por pérdidas funcionales o de ganancias bajo ninguna circunstancia. Si el producto se utiliza para su exhibición, el período de garantía comienza cuando el producto se pone en exhibición. La presente garantía otorga al propietario/usuario final derechos legales específicos. El propietario/usuario final también puede tener otros derechos que pueden variar según el estado o la provincia.

Reparación cubierta por la garantía

Para obtener la reparación contemplada por la presente garantía durante el horario comercial regular, comuníquese con el distribuidor o el mayorista que le vendió la unidad o directamente con VIGO. VIGO proporcionará la reparación cubierta por la garantía que se describe más arriba cuando se cumpla con las siguientes condiciones: cuando el fallo sea de la naturaleza o el tipo cubiertos por la garantía; cuando el usuario haya informado a un agente autorizado de VIGO o a un representante del departamento de reparaciones cubiertas por la garantía de VIGO sobre la naturaleza del problema durante el período de garantía; cuando el usuario proporcione pruebas concluyentes (por ejemplo, comprobante de compra o instalación) de lo precedente donde se muestre que el fallo se produjo o se descubrió dentro del período de garantía; cuando se haya permitido a una persona o a una empresa independientes y autorizadas que brinden servicios de reparación inspeccionar el producto durante el horario comercial regular dentro de un tiempo razonable después de que el usuario haya comunicado el problema. La obligación de garantía de VIGO quedará terminada en el momento de la propuesta de cambio o reparación. Si el cliente se rehúsa a aceptar la propuesta, las obligaciones de garantía de VIGO no tendrán más vigencia.

*La aprobación de ciertos modelos está pendiente.

VIGO o las agencias de certificación pueden dar por finalizada la certificación sin previo aviso.

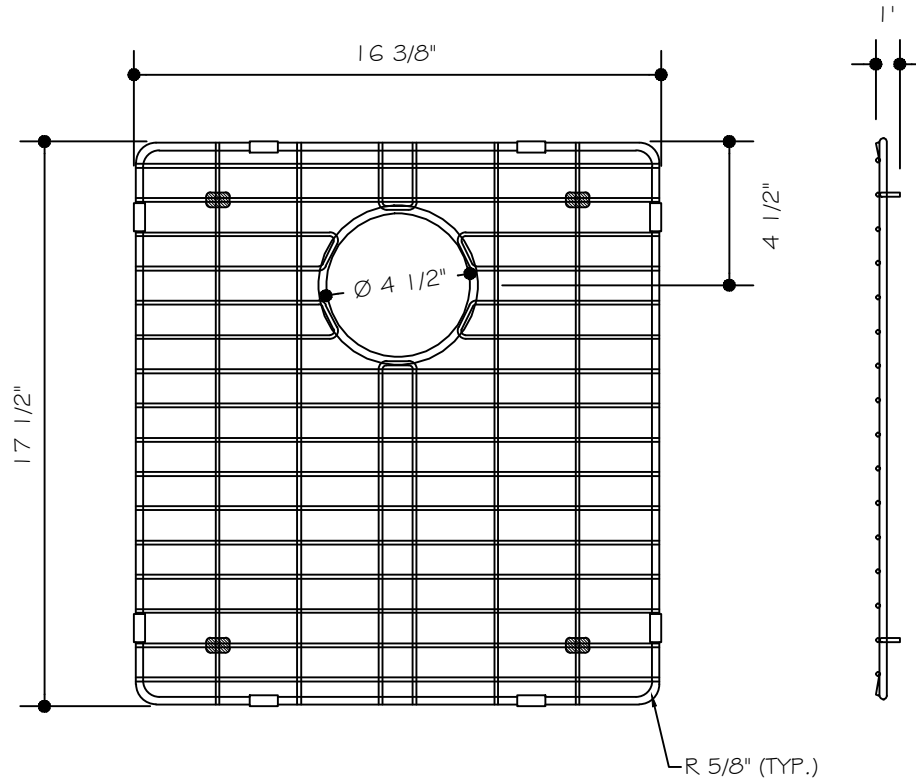
SINK GRID WITH DRAIN HOLE
SPECIFICATIONS

VIGO

Model VGG1618

NOMINAL DIMENSIONS:

MODEL #	WIDTH	LENGTH	HEIGHT	CORNER RADIUS
VGG1618	16 3/8"	17 1/2"	1"	5/8"



**VIGO INDUSTRIES, LLC ("VIGO")
KITCHEN ACCESSORIES LIMITED WARRANTY**

VIGO

EFFECTIVE JANUARY 1, 2010

VIGO offers the following limited warranty on each of its Kitchen Accessory products* (the "Product") and the components thereof. This warranty extends only to the original owner or end-user for personal household use. For commercial uses, additional limitations apply.

VIGO warrants the Product to be free from defects in workmanship and materials under normal use and service for a period of one (1) year from the initial date of purchase by the owner or end-user, contractor, or builder, from VIGO or an authorized VIGO dealer.

Subject to the Warranty Service provision below, any product reported to the authorized dealer or to VIGO as being defective within the warranty period will be repaired or replaced (with a product of equal value) at the option of VIGO. This warranty extends to the original owner or end-user and is not transferable to a subsequent owner.

Neither the distributor, authorized VIGO dealer, nor any other person has been authorized to make any affirmation, representation, or warranty other than those contained in this warranty. Any affirmation, representation, or warranty other than those contained in this warranty shall not be enforceable against VIGO or any other person.

VIGO reserves the right to modify this warranty at any time, it being understood that such modifications will not alter the warranty conditions applicable at the time of sale of the products in question.

Limitations

This warranty shall not apply to instances of incorrect operating procedures, breakages, or damages caused by fault through improper installation, carelessness, abuse, misuse, misapplication, improper maintenance, or alteration of the Product, as well as chemical or natural corrosion, accident, fire, flood, an act of God, or any other casualty. Avoid abrasive cleaners, steel wools, and harsh chemicals as these will scratch, damage, and / or dull the product and / or finish and void this warranty. The owner/end-user of the Product covered by the present warranty is entirely responsible for its proper installation and any applicable plumbing or electrical wiring. VIGO neither installs nor supervises the installation nor hires a contractor for this purpose; consequently, VIGO cannot be held responsible for any default, breakage, or damages caused thereby or resulting thereof, either directly or indirectly.

The owner/end-user must provide access to the components of the Product as described in the installation guide so that VIGO can execute the warranty specified herein. If such access is not available, all expenses to provide said access will be the responsibility of the owner/end-user.

This warranty does not apply to Products that have not been installed or operated in accordance with instructions supplied by VIGO and all applicable rules, regulations, and legislation pertaining to such installations.

This warranty does not apply unless the VIGO Product is installed by fully insured licensed professionals. VIGO strongly recommends that such licensed professionals have experience in the installation of bathroom and kitchen products. Installation of certain products, including, without limitation, glass products (i.e., shower doors and glass sinks) by an inexperienced person may result in glass breakage and, consequently, cause personal injury or death.

VIGO is not liable for personal injuries or deaths to any persons or for any direct, special, incidental, or consequential damage, loss of time, loss of profits, inconvenience, incidental expenses, labor or material charges, or any other costs resulting from the use of the product or equipment or pertaining to the application of the present warranty, or resulting from the removal or replacement of any product or element or part covered by this warranty.

EXCEPT AS OTHERWISE PROVIDED ABOVE, VIGO MAKES NO WARRANTIES, EXPRESSED OR IMPLIED, INCLUDING WARRANTIES OF MERCHANTABILITY AND FITNESS FOR A PARTICULAR PURPOSE OR COMPLIANCE WITH ANY CODE.

In any case, VIGO cannot be held liable for any amount over and above the purchase price paid for the Product by the owner/end-user, contractor, or builder.

Commercial Limitations

In addition to the above conditions and limitations, the warranty period for products installed for commercial applications or used in commercial ventures is one (1) year from the initial date of purchase by the owner/end-user, contractor, or builder from an authorized dealer. VIGO is not responsible for loss of use or profit under any circumstances. If the product is used as a display, the warranty period begins when the product is placed on display. This warranty gives the owner/end-user specific legal rights. The owner/end-user may also have other rights which can vary from one state or province to another.

Warranty Service

In order to obtain service provided under this warranty during regular business hours, contact the dealer or distributor who sold the unit, or contact VIGO directly. VIGO will provide the warranty service described above when the following conditions have been met: the failure is of the nature or type covered by the warranty; the user has informed an authorized VIGO Agent or VIGO's warranty service department representative of the nature of the problem during the warranty period; conclusive evidence (e.g., proof of purchase or installation) is provided to the foregoing by the user proving that the failure occurred or was discovered within the warranty period; an authorized independent service person or company representative has been permitted to inspect the product during regular business hours within a reasonable time after the problem was reported by the user. VIGO's warranty obligation shall be discharged upon tender of replacement or repair. The customer's refusal to accept the tender terminates VIGO's warranty obligations.

*Certain models are pending approval.

Certification may be ended by VIGO or certification agencies without notice.

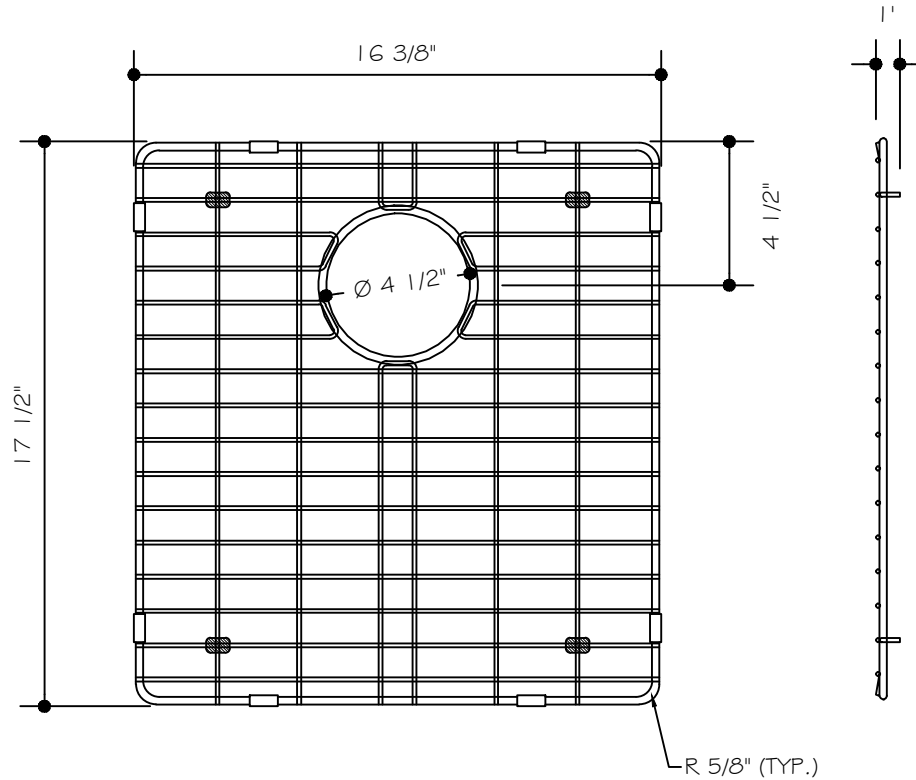
SPÉCIFICATIONS DE LA GRILLE D'ÉVIER AVEC ORIFICE DE DRAINAGE

VIGO

Modèle VGG1618

DIMENSIONS NOMINALES:

N° DE MODÈLE	LARGEUR	LONGUEUR	HAUTEUR	CORNER RADIUS
VGG1618	16 3/8"	17 1/2"	1"	5/8"



**GARANTIE LIMITÉE À VIE DES ACCESSOIRES DE CUISINE
EN VIGUEUR LE 1ER JANVIER 2010**

VIGO accorde la garantie limitée suivante sur chacun de ses produits accessoires de cuisine* (le produit) et leurs composants. Cette garantie ne s'applique qu'au premier acheteur ou utilisateur final en vue d'un usage personnel domestique. D'autres limitations s'appliquent en cas d'usage commercial. Sous réserve de conditions normales d'entretien et d'utilisation, VIGO garantit les composants mécaniques du produit contre tout vice matériel ou de fabrication pendant un (1) an à partir de la date du premier achat du produit à VIGO ou à un détaillant agréé de VIGO, par le propriétaire, l'utilisateur final, l'entrepreneur ou le constructeur.

Sous réserve de la disposition ci-dessous concernant le service de garantie, tout produit déclaré défectueux auprès d'un détaillant agréé ou de VIGO au cours de la période de garantie sera réparé ou remplacé (par un produit de valeur équivalente) au choix de VIGO. Cette garantie s'applique au premier propriétaire ou utilisateur final et n'est pas transférable à un propriétaire ultérieur.

Aucun distributeur, détaillant agréé de VIGO ou autre tiers n'a reçu l'autorisation de faire des affirmations ou des représentations ou encore de donner des garanties autres que celles contenues dans la présente garantie. Aucune affirmation, représentation ou garantie autre que celles contenues dans la présente garantie n'est opposable à VIGO ou à un tiers.

VIGO se réserve le droit de modifier la présente garantie à tout moment, étant entendu que les dites modifications ne peuvent changer les autres dispositions applicables au moment de la vente des produits visés.

Limitations

Cette garantie ne s'applique pas en cas de procédures d'utilisation incorrectes, de bris ou de dégâts découlant d'une faute due à une mauvaise installation, à la négligence, à une utilisation abusive, à une utilisation non autorisée, à un mauvais entretien ou à la modification du produit, ainsi qu'à une corrosion chimique ou naturelle, à un accident, à un incendie, à une inondation, à une catastrophe naturelle ou à tout autre sinistre. Les nettoyants abrasifs, la laine d'acier et les produits chimiques puissants peuvent érafler, endommager ou ternir le produit et le fini et entraîner l'annulation de la présente garantie. Le propriétaire/l'utilisateur final du produit couvert par la présente garantie est entièrement responsable de sa bonne installation et des travaux de plomberie et de câblage électrique. VIGO n'installe pas le produit, ne supervise pas l'installation ni n'engage un entrepreneur à cette fin. Par conséquent, VIGO ne peut être tenue responsable des défauts, des bris ou des dégâts causés par l'installation ou en découlant, que ce soit directement ou indirectement.

Le propriétaire utilisateur final doit prévoir un accès aux composants du produit conformément aux explications du guide d'installation, afin que VIGO puisse exécuter les obligations stipulées aux présentes. En l'absence dudit accès, toutes les dépenses engagées pour le ménage seront à la charge du propriétaire/l'utilisateur final. La présente garantie ne s'applique pas aux produits qui n'ont pas été installés ou utilisés conformément aux consignes fournies par VIGO et à l'ensemble des règlements et des lois qui régissent ladite installation.

La présente garantie ne s'applique que si le produit VIGO est installé par des professionnels accrédités et entièrement assurés. VIGO recommande vivement de choisir des professionnels accrédités possédant de l'expérience dans l'installation de produits pour salles de bains et cuisines. Des personnes non expérimentées dans l'installation de certains produits, y compris sans toutefois s'y limiter, les produits en verre (portes de douches et lavabos en verre) sont susceptibles de les briser et, par conséquent, de provoquer des blessures, voire la mort.

VIGO n'est en aucun cas responsable des blessures, des décès ou des dommages directs, spéciaux, consécutifs ou indirects; de la perte de temps; de la perte de profits; des inconvénients; des frais accessoires, des coûts de main-d'œuvre ou de matériaux et de tout autre coût découlant de l'utilisation du produit ou de l'équipement ou en lien avec l'exécution de la présente garantie, ou encore découlant de la dépose ou du remplacement d'un produit, d'une pièce ou d'un élément couvert par la présente garantie.

SAUF DISPOSITION CONTRAIRE CI-DESSUS, VIGO NE FAIT AUCUNE GARANTIE, EXPRESSE OU IMPLICITE, Y COMPRIS DE VALEUR MARCHANDE, D'ADAPTATION À UN USAGE PARTICULIER OU DE CONFORMITÉ À UN CODE.

En aucun cas, VIGO ne peut être tenue responsable de tout montant supérieur au prix d'achat du produit déboursé par le propriétaire/l'utilisateur final, l'entrepreneur ou le constructeur.

Limitations commerciales

Outre les conditions et limitations ci-dessus, la période de garantie des produits installés dans un but commercial ou employés dans des commerces est de un (1) an à partir de la date du premier achat du produit par le propriétaire utilisateur final, l'entrepreneur ou le constructeur. En aucun cas, VIGO ne peut être tenue responsable des pertes de jouissance ou de profits. Si le produit est exposé, la période de garantie commence au moment où il est mis en exposition. La présente garantie confère au propriétaire/à l'utilisateur final des droits légaux auxquels peuvent s'ajouter d'autres droits selon l'état ou la province.

Service de garantie

Pour obtenir un service en vertu de la présente garantie pendant les heures normales d'ouverture, communiquez avec le détaillant ou le distributeur qui a vendu l'article, ou contactez directement VIGO. Si les conditions suivantes sont réunies, VIGO fournira le service de garantie décrit plus haut : la nature ou le type du problème est couvert par la garantie; l'utilisateur a informé un représentant autorisé de VIGO ou du service de garantie de VIGO de la nature du problème pendant la période de garantie; l'utilisateur a présenté aux personnes précitées des preuves concluantes (p. ex., preuve d'achat ou d'installation) indiquant que le problème est survenu ou a été découvert pendant la période de garantie; le représentant d'une personne ou une société de service agréée indépendante a pu inspecter le produit pendant les heures d'ouverture normales dans un délai raisonnable après le report du problème par l'utilisateur. Les obligations de VIGO au titre de la garantie seront exécutées lors de la proposition de remplacement ou de réparation. Le refus de ladite proposition par le client met fin aux obligations de VIGO au titre de la garantie.

*Certains modèles sont en attente d'approbation.

VIGO et les organismes de certification peuvent résilier les certificats sans préavis.

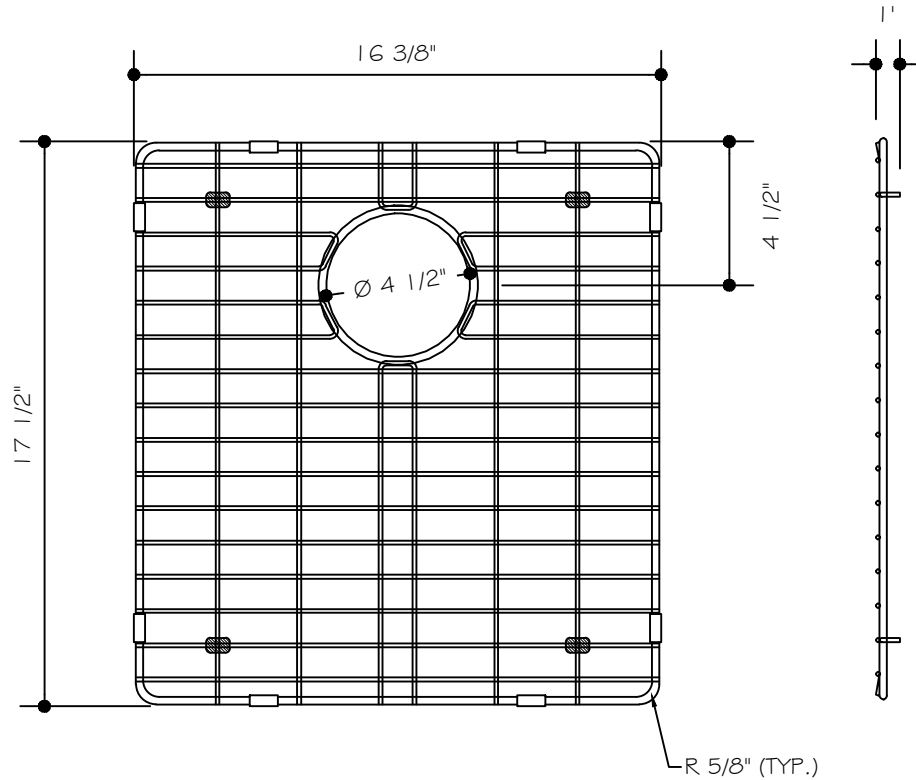
REJILLA PARA FREGADERO CON ORIFICIO DE DESAGÜE ESPECIFICACIONES

VIGO

Modelo VGG1618

DIMENSIONES NOMINALES:

MODELO #	ANCHO	LARGO	ALTURA	RADIO DE ESQUINA
VGG1618	16 3/8"	17 1/2"	1"	5/8"



EN VIGENCIA DESDE EL 1° DE ENERO DE 2010

VIGO ofrece la siguiente garantía limitada por cada uno de sus Accesorios para cocina* (el "Producto") y sus componentes. La presente garantía sólo rige para el propietario o usuario final originales y por el uso personal doméstico. En el caso de usos comerciales, rigen otras limitaciones.

VIGO garantiza que el Producto carecerá de defectos de mano de obra y materiales en condiciones normales de uso y servicio durante un período de un (1) año a partir de la fecha de compra inicial por parte del propietario/usuario final, contratista o constructor a VIGO o a un distribuidor autorizado de VIGO.

Teniendo en cuenta las condiciones de reparación cubierta por la garantía indicadas más abajo, todos los productos que sean objeto de reclamo ante un distribuidor autorizado o ante VIGO por ser defectuosos dentro del período de garantía se repararán o reemplazarán (por un producto de valor equivalente) a discreción de VIGO. La presente garantía rige para el propietario o usuario final originales y no es transferible a propietarios posteriores.

Ni el mayorista, ni el distribuidor autorizado de VIGO ni otras personas tienen autorización para hacer afirmación o declaración alguna u ofrecer garantía alguna que no estén contenidas en la presente garantía. Cualquier afirmación, declaración o garantía no contenidas en la presente no podrán hacerse valer ante VIGO o ante otras personas.

VIGO se reserva el derecho de modificar la presente garantía en cualquier momento y se entiende que dichas modificaciones no alterarán las condiciones de la garantía aplicables en el momento de la venta de los productos en cuestión.

Limitaciones

La presente garantía no regirá en casos de procedimientos incorrectos, rupturas o daños provocados por fallos debidos a instalación inadecuada, falta de cuidado, abuso, mal uso, uso indebido, mantenimiento inadecuado o alteración del Producto así como por corrosión química o natural, accidentes, incendios, inundaciones, fuerza mayor o alguna otra casualidad. Evite usar limpiadores abrasivos, lanas de acero y productos químicos fuertes dado que rayan, dañan u opacan el producto o el acabado y anulan la garantía. El propietario/usuario final del Producto cubierto por la presente garantía es por completo responsable por la instalación adecuada y toda la plomería o el cableado eléctrico necesarios. VIGO no instala ni supervisa la instalación ni subcontrata con dicho fin a contratista alguno. Por ende, no puede considerársela responsable por cualquier defecto, ruptura o daño provocado por la instalación o que resulte de ella, tanto de manera directa como de manera indirecta.

El propietario/usuario final debe brindar acceso a los componentes del Producto tal como se describe en la guía de instalación de manera que VIGO pueda cumplir con la garantía especificada en la presente. En caso de no contar con dicho acceso, todos los gastos para proporcionarlo serán responsabilidad del propietario/usuario final. La presente garantía no rige para Productos que no se hayan instalado o utilizado según las instrucciones suministradas por VIGO y todas las reglas, normas y legislación aplicables sobre dichas instalaciones.

La presente garantía no tiene vigencia a menos que sean profesionales con licencia y seguro completos quienes instalen el Producto de VIGO. VIGO recomienda con especial énfasis que dichos profesionales licenciados cuenten con experiencia en la instalación de productos de baño y cocina. La instalación de ciertos productos, incluidos, entre otros, productos de vidrio (es decir, puertas de duchas y lavabos de vidrio) por parte de personas sin experiencia puede provocar ruptura del vidrio y, por ende, lesiones personales o la muerte.

VIGO no se hace responsable por lesiones personales o muerte de persona alguna o por daños directos, especiales, accidentales o resultantes, pérdida de tiempo, pérdida de ganancias, inconvenientes, gastos accidentales, honorarios por mano de obra, gastos en materiales o demás costos que sean consecuencia del uso del producto o del equipo o relacionados con la aplicación de la presente garantía o provocados por la extracción o el cambio de algún producto o elemento o pieza cubiertos por la presente garantía.

CON EXCEPCIÓN DE LO ESTIPULADO MÁS ARRIBA, VIGO NO OFRECE GARANTÍA ALGUNA, EXPRESA O IMPLÍCITA, INCLUIDAS GARANTÍAS DE COMERCIALIZACIÓN Y ADECUACIÓN A UN USO PARTICULAR O CUMPLIMIENTO CON CÓDIGO ALGUNO.

En ningún caso puede considerarse a VIGO responsable por monto alguno superior al precio de compra que el propietario/usuario final, contratista o constructor abonaron por el Producto.

Limitaciones Comerciales

Además de las condiciones y limitaciones precedentes, el período de garantía de los productos instalados para aplicaciones comerciales o utilizados en locales comerciales es de un (1) año desde la fecha de compra inicial por parte del propietario/usuario final, contratista o constructor a un distribuidor autorizado. VIGO no se hace responsable por pérdidas funcionales o de ganancias bajo ninguna circunstancia. Si el producto se utiliza para su exhibición, el período de garantía comienza cuando el producto se pone en exhibición. La presente garantía otorga al propietario/usuario final derechos legales específicos. El propietario/usuario final también puede tener otros derechos que pueden variar según el estado o la provincia.

Reparación cubierta por la garantía

Para obtener la reparación contemplada por la presente garantía durante el horario comercial regular, comuníquese con el distribuidor o el mayorista que le vendió la unidad o directamente con VIGO. VIGO proporcionará la reparación cubierta por la garantía que se describe más arriba cuando se cumpla con las siguientes condiciones: cuando el fallo sea de la naturaleza o el tipo cubiertos por la garantía; cuando el usuario haya informado a un agente autorizado de VIGO o a un representante del departamento de reparaciones cubiertas por la garantía de VIGO sobre la naturaleza del problema durante el período de garantía; cuando el usuario proporcione pruebas concluyentes (por ejemplo, comprobante de compra o instalación) de lo precedente donde se muestre que el fallo se produjo o se descubrió dentro del período de garantía; cuando se haya permitido a una persona o a una empresa independientes y autorizadas que brinden servicios de reparación inspeccionar el producto durante el horario comercial regular dentro de un tiempo razonable después de que el usuario haya comunicado el problema. La obligación de garantía de VIGO quedará terminada en el momento de la propuesta de cambio o reparación. Si el cliente se rehúsa a aceptar la propuesta, las obligaciones de garantía de VIGO no tendrán más vigencia.

*La aprobación de ciertos modelos está pendiente.

VIGO o las agencias de certificación pueden dar por finalizada la certificación sin previo aviso.

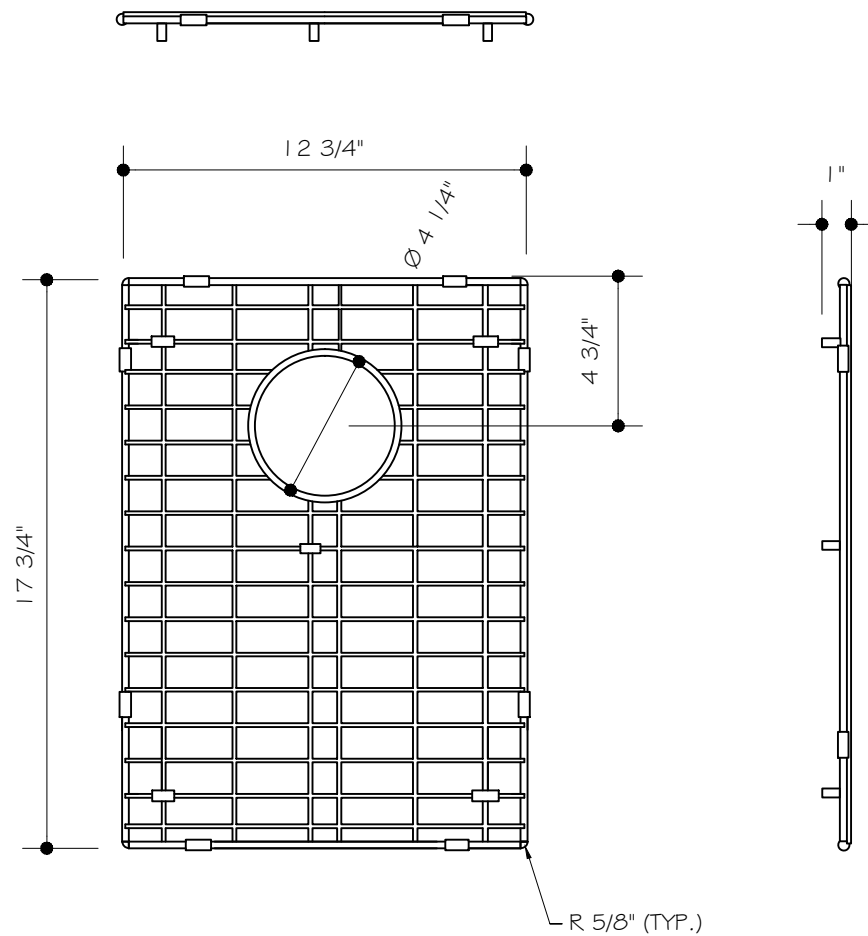
SINK GRID WITH DRAIN HOLE
SPECIFICATIONS

VIGO

Model VGG1218

NOMINAL DIMENSIONS:

MODEL #	WIDTH	LENGTH	HEIGHT	CORNER RADIUS
VGG1218	12 3/4"	17 3/4"	1"	5/8"



**VIGO INDUSTRIES, LLC ("VIGO")
KITCHEN ACCESSORIES LIMITED WARRANTY**

VIGO

EFFECTIVE JANUARY 1, 2010

VIGO offers the following limited warranty on each of its Kitchen Accessory products* (the "Product") and the components thereof. This warranty extends only to the original owner or end-user for personal household use. For commercial uses, additional limitations apply.

VIGO warrants the Product to be free from defects in workmanship and materials under normal use and service for a period of one (1) year from the initial date of purchase by the owner or end-user, contractor, or builder, from VIGO or an authorized VIGO dealer.

Subject to the Warranty Service provision below, any product reported to the authorized dealer or to VIGO as being defective within the warranty period will be repaired or replaced (with a product of equal value) at the option of VIGO. This warranty extends to the original owner or end-user and is not transferable to a subsequent owner.

Neither the distributor, authorized VIGO dealer, nor any other person has been authorized to make any affirmation, representation, or warranty other than those contained in this warranty. Any affirmation, representation, or warranty other than those contained in this warranty shall not be enforceable against VIGO or any other person.

VIGO reserves the right to modify this warranty at any time, it being understood that such modifications will not alter the warranty conditions applicable at the time of sale of the products in question.

Limitations

This warranty shall not apply to instances of incorrect operating procedures, breakages, or damages caused by fault through improper installation, carelessness, abuse, misuse, misapplication, improper maintenance, or alteration of the Product, as well as chemical or natural corrosion, accident, fire, flood, an act of God, or any other casualty. Avoid abrasive cleaners, steel wools, and harsh chemicals as these will scratch, damage, and / or dull the product and / or finish and void this warranty. The owner/end-user of the Product covered by the present warranty is entirely responsible for its proper installation and any applicable plumbing or electrical wiring. VIGO neither installs nor supervises the installation nor hires a contractor for this purpose; consequently, VIGO cannot be held responsible for any default, breakage, or damages caused thereby or resulting thereof, either directly or indirectly.

The owner/end-user must provide access to the components of the Product as described in the installation guide so that VIGO can execute the warranty specified herein. If such access is not available, all expenses to provide said access will be the responsibility of the owner/end-user.

This warranty does not apply to Products that have not been installed or operated in accordance with instructions supplied by VIGO and all applicable rules, regulations, and legislation pertaining to such installations.

This warranty does not apply unless the VIGO Product is installed by fully insured licensed professionals. VIGO strongly recommends that such licensed professionals have experience in the installation of bathroom and kitchen products. Installation of certain products, including, without limitation, glass products (i.e., shower doors and glass sinks) by an inexperienced person may result in glass breakage and, consequently, cause personal injury or death.

VIGO is not liable for personal injuries or deaths to any persons or for any direct, special, incidental, or consequential damage, loss of time, loss of profits, inconvenience, incidental expenses, labor or material charges, or any other costs resulting from the use of the product or equipment or pertaining to the application of the present warranty, or resulting from the removal or replacement of any product or element or part covered by this warranty.

EXCEPT AS OTHERWISE PROVIDED ABOVE, VIGO MAKES NO WARRANTIES, EXPRESSED OR IMPLIED, INCLUDING WARRANTIES OF MERCHANTABILITY AND FITNESS FOR A PARTICULAR PURPOSE OR COMPLIANCE WITH ANY CODE.

In any case, VIGO cannot be held liable for any amount over and above the purchase price paid for the Product by the owner/end-user, contractor, or builder.

Commercial Limitations

In addition to the above conditions and limitations, the warranty period for products installed for commercial applications or used in commercial ventures is one (1) year from the initial date of purchase by the owner/end-user, contractor, or builder from an authorized dealer. VIGO is not responsible for loss of use or profit under any circumstances. If the product is used as a display, the warranty period begins when the product is placed on display. This warranty gives the owner/end-user specific legal rights. The owner/end-user may also have other rights which can vary from one state or province to another.

Warranty Service

In order to obtain service provided under this warranty during regular business hours, contact the dealer or distributor who sold the unit, or contact VIGO directly. VIGO will provide the warranty service described above when the following conditions have been met: the failure is of the nature or type covered by the warranty; the user has informed an authorized VIGO Agent or VIGO's warranty service department representative of the nature of the problem during the warranty period; conclusive evidence (e.g., proof of purchase or installation) is provided to the foregoing by the user proving that the failure occurred or was discovered within the warranty period; an authorized independent service person or company representative has been permitted to inspect the product during regular business hours within a reasonable time after the problem was reported by the user. VIGO's warranty obligation shall be discharged upon tender of replacement or repair. The customer's refusal to accept the tender terminates VIGO's warranty obligations.

*Certain models are pending approval.

Certification may be ended by VIGO or certification agencies without notice.

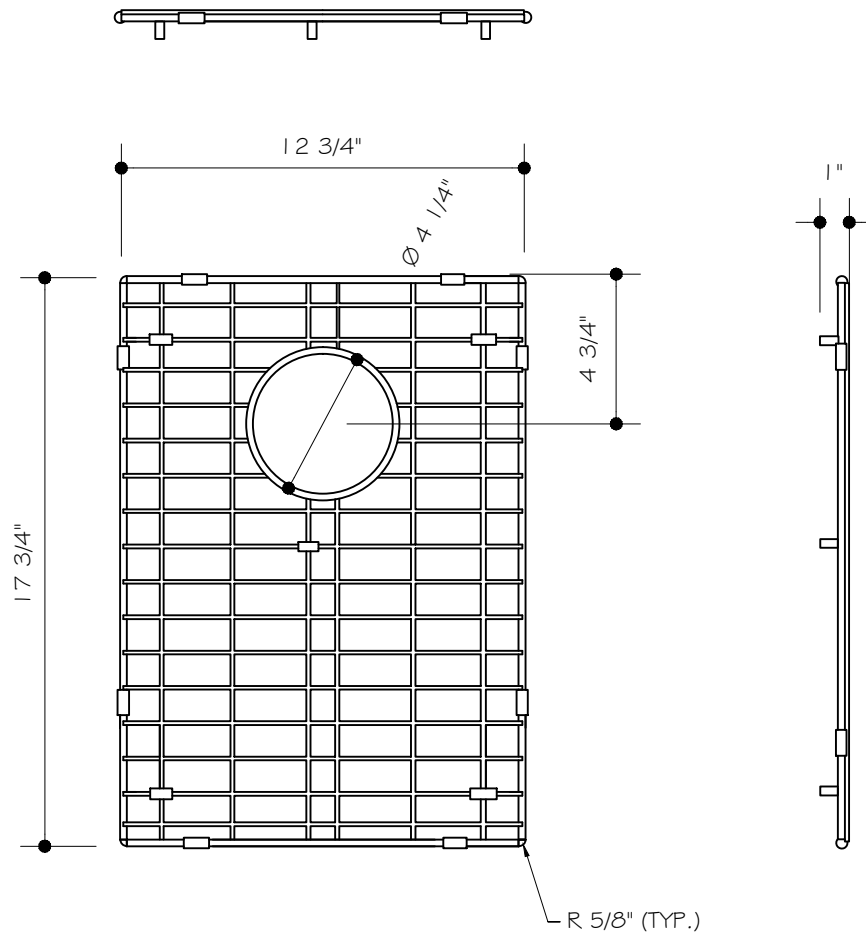
SPÉCIFICATIONS DE LA GRILLE D'ÉVIER AVEC ORIFICE DE DRAINAGE

VIGO

Modèle VGG1218

DIMENSIONS NOMINALES:

N° DE MODÈLE	LARGEUR	LONGUEUR	HAUTEUR	CORNER RADIUS
VGG1218	12 3/4"	17 3/4"	1"	5/8"



**GARANTIE LIMITÉE À VIE DES ACCESSOIRES DE CUISINE
EN VIGUEUR LE 1ER JANVIER 2010**

VIGO accorde la garantie limitée suivante sur chacun de ses produits accessoires de cuisine* (le produit) et leurs composants. Cette garantie ne s'applique qu'au premier acheteur ou utilisateur final en vue d'un usage personnel domestique. D'autres limitations s'appliquent en cas d'usage commercial. Sous réserve de conditions normales d'entretien et d'utilisation, VIGO garantit les composants mécaniques du produit contre tout vice matériel ou de fabrication pendant un (1) an à partir de la date du premier achat du produit à VIGO ou à un détaillant agréé de VIGO, par le propriétaire, l'utilisateur final, l'entrepreneur ou le constructeur.

Sous réserve de la disposition ci-dessous concernant le service de garantie, tout produit déclaré défectueux auprès d'un détaillant agréé ou de VIGO au cours de la période de garantie sera réparé ou remplacé (par un produit de valeur équivalente) au choix de VIGO. Cette garantie s'applique au premier propriétaire ou utilisateur final et n'est pas transférable à un propriétaire ultérieur.

Aucun distributeur, détaillant agréé de VIGO ou autre tiers n'a reçu l'autorisation de faire des affirmations ou des représentations ou encore de donner des garanties autres que celles contenues dans la présente garantie. Aucune affirmation, représentation ou garantie autre que celles contenues dans la présente garantie n'est opposable à VIGO ou à un tiers.

VIGO se réserve le droit de modifier la présente garantie à tout moment, étant entendu que les dites modifications ne peuvent changer les autres dispositions applicables au moment de la vente des produits visés.

Limitations

Cette garantie ne s'applique pas en cas de procédures d'utilisation incorrectes, de bris ou de dégâts découlant d'une faute due à une mauvaise installation, à la négligence, à une utilisation abusive, à une utilisation non autorisée, à un mauvais entretien ou à la modification du produit, ainsi qu'à une corrosion chimique ou naturelle, à un accident, à un incendie, à une inondation, à une catastrophe naturelle ou à tout autre sinistre. Les nettoyants abrasifs, la laine d'acier et les produits chimiques puissants peuvent érafler, endommager ou ternir le produit et le fini et entraîner l'annulation de la présente garantie. Le propriétaire/l'utilisateur final du produit couvert par la présente garantie est entièrement responsable de sa bonne installation et des travaux de plomberie et de câblage électrique. VIGO n'installe pas le produit, ne supervise pas l'installation ni n'engage un entrepreneur à cette fin. Par conséquent, VIGO ne peut être tenue responsable des défauts, des bris ou des dégâts causés par l'installation ou en découlant, que ce soit directement ou indirectement.

Le propriétaire utilisateur final doit prévoir un accès aux composants du produit conformément aux explications du guide d'installation, afin que VIGO puisse exécuter les obligations stipulées aux présentes. En l'absence dudit accès, toutes les dépenses engagées pour le ménage seront à la charge du propriétaire/l'utilisateur final. La présente garantie ne s'applique pas aux produits qui n'ont pas été installés ou utilisés conformément aux consignes fournies par VIGO et à l'ensemble des règlements et des lois qui régissent ladite installation.

La présente garantie ne s'applique que si le produit VIGO est installé par des professionnels accrédités et entièrement assurés. VIGO recommande vivement de choisir des professionnels accrédités possédant de l'expérience dans l'installation de produits pour salles de bains et cuisines. Des personnes non expérimentées dans l'installation de certains produits, y compris sans toutefois s'y limiter, les produits en verre (portes de douches et lavabos en verre) sont susceptibles de les briser et, par conséquent, de provoquer des blessures, voire la mort.

VIGO n'est en aucun cas responsable des blessures, des décès ou des dommages directs, spéciaux, consécutifs ou indirects; de la perte de temps; de la perte de profits; des inconvénients; des frais accessoires, des coûts de main-d'œuvre ou de matériaux et de tout autre coût découlant de l'utilisation du produit ou de l'équipement ou en lien avec l'exécution de la présente garantie, ou encore découlant de la dépose ou du remplacement d'un produit, d'une pièce ou d'un élément couvert par la présente garantie.

SAUF DISPOSITION CONTRAIRE CI-DESSUS, VIGO NE FAIT AUCUNE GARANTIE, EXPRESSE OU IMPLICITE, Y COMPRIS DE VALEUR MARCHANDE, D'ADAPTATION À UN USAGE PARTICULIER OU DE CONFORMITÉ À UN CODE.

En aucun cas, VIGO ne peut être tenue responsable de tout montant supérieur au prix d'achat du produit déboursé par le propriétaire/l'utilisateur final, l'entrepreneur ou le constructeur.

Limitations commerciales

Outre les conditions et limitations ci-dessus, la période de garantie des produits installés dans un but commercial ou employés dans des commerces est de un (1) an à partir de la date du premier achat du produit par le propriétaire utilisateur final, l'entrepreneur ou le constructeur. En aucun cas, VIGO ne peut être tenue responsable des pertes de jouissance ou de profits. Si le produit est exposé, la période de garantie commence au moment où il est mis en exposition. La présente garantie confère au propriétaire/à l'utilisateur final des droits légaux auxquels peuvent s'ajouter d'autres droits selon l'état ou la province.

Service de garantie

Pour obtenir un service en vertu de la présente garantie pendant les heures normales d'ouverture, communiquez avec le détaillant ou le distributeur qui a vendu l'article, ou contactez directement VIGO. Si les conditions suivantes sont réunies, VIGO fournira le service de garantie décrit plus haut : la nature ou le type du problème est couvert par la garantie; l'utilisateur a informé un représentant autorisé de VIGO ou du service de garantie de VIGO de la nature du problème pendant la période de garantie; l'utilisateur a présenté aux personnes précitées des preuves concluantes (p. ex., preuve d'achat ou d'installation) indiquant que le problème est survenu ou a été découvert pendant la période de garantie; le représentant d'une personne ou une société de service agréée indépendante a pu inspecter le produit pendant les heures d'ouverture normales dans un délai raisonnable après le report du problème par l'utilisateur. Les obligations de VIGO au titre de la garantie seront exécutées lors de la proposition de remplacement ou de réparation. Le refus de ladite proposition par le client met fin aux obligations de VIGO au titre de la garantie.

*Certains modèles sont en attente d'approbation.

VIGO et les organismes de certification peuvent résilier les certificats sans préavis.

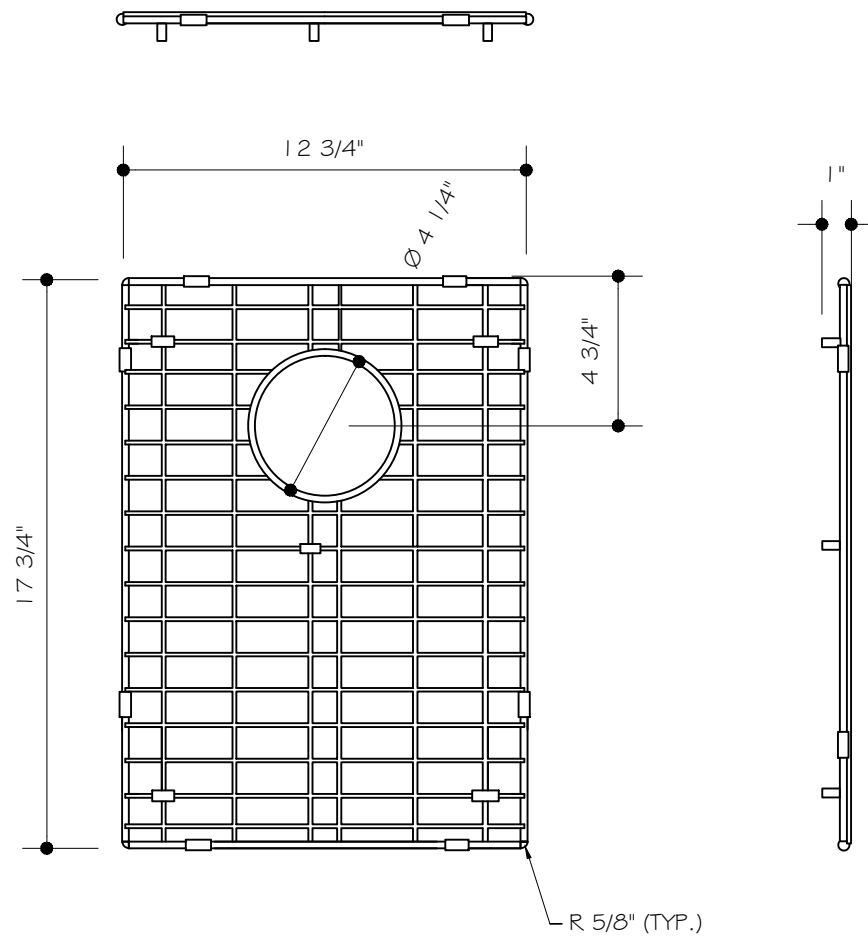
REJILLA PARA FREGADERO CON ORIFICIO DE DESAGÜE ESPECIFICACIONES

VIGO

Modelo VGG1218

DIMENSIONES NOMINALES:

MODELO #	ANCHO	LARGO	ALTURA	RADIO DE ESQUINA
VGG1218	12 3/4"	17 3/4"	1"	5/8"



EN VIGENCIA DESDE EL 1° DE ENERO DE 2010

VIGO ofrece la siguiente garantía limitada por cada uno de sus Accesorios para cocina* (el "Producto") y sus componentes. La presente garantía sólo rige para el propietario o usuario final originales y por el uso personal doméstico. En el caso de usos comerciales, rigen otras limitaciones.

VIGO garantiza que el Producto carecerá de defectos de mano de obra y materiales en condiciones normales de uso y servicio durante un período de un (1) año a partir de la fecha de compra inicial por parte del propietario/usuario final, contratista o constructor a VIGO o a un distribuidor autorizado de VIGO.

Teniendo en cuenta las condiciones de reparación cubierta por la garantía indicadas más abajo, todos los productos que sean objeto de reclamo ante un distribuidor autorizado o ante VIGO por ser defectuosos dentro del período de garantía se repararán o reemplazarán (por un producto de valor equivalente) a discreción de VIGO. La presente garantía rige para el propietario o usuario final originales y no es transferible a propietarios posteriores.

Ni el mayorista, ni el distribuidor autorizado de VIGO ni otras personas tienen autorización para hacer afirmación o declaración alguna u ofrecer garantía alguna que no estén contenidas en la presente garantía. Cualquier afirmación, declaración o garantía no contenidas en la presente no podrán hacerse valer ante VIGO o ante otras personas.

VIGO se reserva el derecho de modificar la presente garantía en cualquier momento y se entiende que dichas modificaciones no alterarán las condiciones de la garantía aplicables en el momento de la venta de los productos en cuestión.

Limitaciones

La presente garantía no regirá en casos de procedimientos incorrectos, rupturas o daños provocados por fallos debidos a instalación inadecuada, falta de cuidado, abuso, mal uso, uso indebido, mantenimiento inadecuado o alteración del Producto así como por corrosión química o natural, accidentes, incendios, inundaciones, fuerza mayor o alguna otra casualidad. Evite usar limpiadores abrasivos, lanas de acero y productos químicos fuertes dado que rayan, dañan u opacan el producto o el acabado y anulan la garantía. El propietario/usuario final del Producto cubierto por la presente garantía es por completo responsable por la instalación adecuada y toda la plomería o el cableado eléctrico necesarios. VIGO no instala ni supervisa la instalación ni subcontrata con dicho fin a contratista alguno. Por ende, no puede considerársela responsable por cualquier defecto, ruptura o daño provocado por la instalación o que resulte de ella, tanto de manera directa como de manera indirecta.

El propietario/usuario final debe brindar acceso a los componentes del Producto tal como se describe en la guía de instalación de manera que VIGO pueda cumplir con la garantía especificada en la presente. En caso de no contar con dicho acceso, todos los gastos para proporcionarlo serán responsabilidad del propietario/usuario final. La presente garantía no rige para Productos que no se hayan instalado o utilizado según las instrucciones suministradas por VIGO y todas las reglas, normas y legislación aplicables sobre dichas instalaciones.

La presente garantía no tiene vigencia a menos que sean profesionales con licencia y seguro completos quienes instalen el Producto de VIGO. VIGO recomienda con especial énfasis que dichos profesionales licenciados cuenten con experiencia en la instalación de productos de baño y cocina. La instalación de ciertos productos, incluidos, entre otros, productos de vidrio (es decir, puertas de duchas y lavabos de vidrio) por parte de personas sin experiencia puede provocar ruptura del vidrio y, por ende, lesiones personales o la muerte.

VIGO no se hace responsable por lesiones personales o muerte de persona alguna o por daños directos, especiales, accidentales o resultantes, pérdida de tiempo, pérdida de ganancias, inconvenientes, gastos accidentales, honorarios por mano de obra, gastos en materiales o demás costos que sean consecuencia del uso del producto o del equipo o relacionados con la aplicación de la presente garantía o provocados por la extracción o el cambio de algún producto o elemento o pieza cubiertos por la presente garantía.

CON EXCEPCIÓN DE LO ESTIPULADO MÁS ARRIBA, VIGO NO OFRECE GARANTÍA ALGUNA, EXPRESA O IMPLÍCITA, INCLUIDAS GARANTÍAS DE COMERCIALIZACIÓN Y ADECUACIÓN A UN USO PARTICULAR O CUMPLIMIENTO CON CÓDIGO ALGUNO.

En ningún caso puede considerarse a VIGO responsable por monto alguno superior al precio de compra que el propietario/usuario final, contratista o constructor abonaron por el Producto.

Limitaciones Comerciales

Además de las condiciones y limitaciones precedentes, el período de garantía de los productos instalados para aplicaciones comerciales o utilizados en locales comerciales es de un (1) año desde la fecha de compra inicial por parte del propietario/usuario final, contratista o constructor a un distribuidor autorizado. VIGO no se hace responsable por pérdidas funcionales o de ganancias bajo ninguna circunstancia. Si el producto se utiliza para su exhibición, el período de garantía comienza cuando el producto se pone en exhibición. La presente garantía otorga al propietario/usuario final derechos legales específicos. El propietario/usuario final también puede tener otros derechos que pueden variar según el estado o la provincia.

Reparación cubierta por la garantía

Para obtener la reparación contemplada por la presente garantía durante el horario comercial regular, comuníquese con el distribuidor o el mayorista que le vendió la unidad o directamente con VIGO. VIGO proporcionará la reparación cubierta por la garantía que se describe más arriba cuando se cumpla con las siguientes condiciones: cuando el fallo sea de la naturaleza o el tipo cubiertos por la garantía; cuando el usuario haya informado a un agente autorizado de VIGO o a un representante del departamento de reparaciones cubiertas por la garantía de VIGO sobre la naturaleza del problema durante el período de garantía; cuando el usuario proporcione pruebas concluyentes (por ejemplo, comprobante de compra o instalación) de lo precedente donde se muestre que el fallo se produjo o se descubrió dentro del período de garantía; cuando se haya permitido a una persona o a una empresa independientes y autorizadas que brinden servicios de reparación inspeccionar el producto durante el horario comercial regular dentro de un tiempo razonable después de que el usuario haya comunicado el problema. La obligación de garantía de VIGO quedará terminada en el momento de la propuesta de cambio o reparación. Si el cliente se rehúsa a aceptar la propuesta, las obligaciones de garantía de VIGO no tendrán más vigencia.

*La aprobación de ciertos modelos está pendiente.

VIGO o las agencias de certificación pueden dar por finalizada la certificación sin previo aviso.

SINK SPECIFICATIONS



Model VGSTRAINER

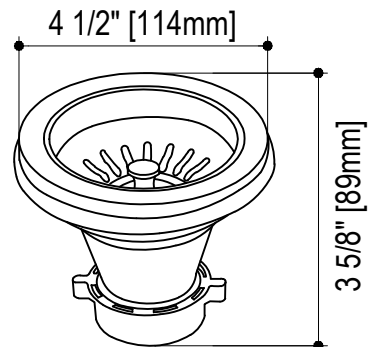
FEATURES

- Chrome or stainless steel kitchen sink strainer
- Removable basket
- Fits standard 3 1/2" opening

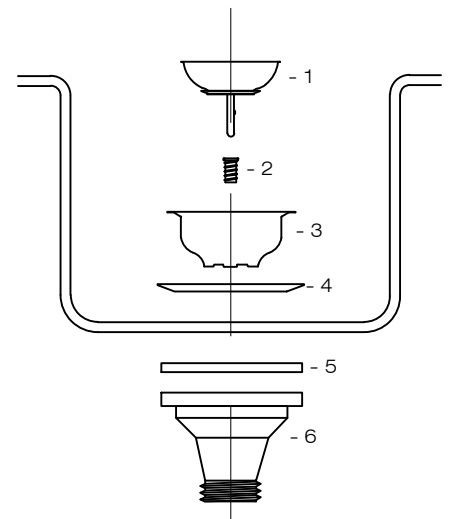


NOMINAL DIMENSIONS

DIAMETER	DEPTH
4 1/2"	3 5/8"



1. Strainer Basket Assembly
2. Screw
3. Strainer Bowl
4. Top Seal
5. Bottom Seal
6. Waste Bowl



VIGO INDUSTRIES, LLC ("VIGO") KITCHEN ACCESSORIES LIMITED WARRANTY

VIGO

EFFECTIVE JANUARY 1, 2010

VIGO offers the following limited warranty on each of its Kitchen Accessory products* (the "Product") and the components thereof. This warranty extends only to the original owner or end-user for personal household use. For commercial uses, additional limitations apply.

VIGO warrants the Product to be free from defects in workmanship and materials under normal use and service for a period of one (1) year from the initial date of purchase by the owner or end-user, contractor, or builder, from VIGO or an authorized VIGO dealer.

Subject to the Warranty Service provision below, any product reported to the authorized dealer or to VIGO as being defective within the warranty period will be repaired or replaced (with a product of equal value) at the option of VIGO. This warranty extends to the original owner or end-user and is not transferable to a subsequent owner.

Neither the distributor, authorized VIGO dealer, nor any other person has been authorized to make any affirmation, representation, or warranty other than those contained in this warranty. Any affirmation, representation, or warranty other than those contained in this warranty shall not be enforceable against VIGO or any other person.

VIGO reserves the right to modify this warranty at any time, it being understood that such modifications will not alter the warranty conditions applicable at the time of sale of the products in question.

Limitations

This warranty shall not apply to instances of incorrect operating procedures, breakages, or damages caused by fault through improper installation, carelessness, abuse, misuse, misapplication, improper maintenance, or alteration of the Product, as well as chemical or natural corrosion, accident, fire, flood, an act of God, or any other casualty. Avoid abrasive cleaners, steel wools, and harsh chemicals as these will scratch, damage, and / or dull the product and / or finish and void this warranty. The owner/end-user of the Product covered by the present warranty is entirely responsible for its proper installation and any applicable plumbing or electrical wiring. VIGO neither installs nor supervises the installation nor hires a contractor for this purpose; consequently, VIGO cannot be held responsible for any default, breakage, or damages caused thereby or resulting thereof, either directly or indirectly.

The owner/end-user must provide access to the components of the Product as described in the installation guide so that VIGO can execute the warranty specified herein. If such access is not available, all expenses to provide said access will be the responsibility of the owner/end-user.

This warranty does not apply to Products that have not been installed or operated in accordance with instructions supplied by VIGO and all applicable rules, regulations, and legislation pertaining to such installations.

This warranty does not apply unless the VIGO Product is installed by fully insured licensed professionals. VIGO strongly recommends that such licensed professionals have experience in the installation of bathroom and kitchen products. Installation of certain products, including, without limitation, glass products (i.e., shower doors and glass sinks) by an inexperienced person may result in glass breakage and, consequently, cause personal injury or death.

VIGO is not liable for personal injuries or deaths to any persons or for any direct, special, incidental, or consequential damage, loss of time, loss of profits, inconvenience, incidental expenses, labor or material charges, or any other costs resulting from the use of the product or equipment or pertaining to the application of the present warranty, or resulting from the removal or replacement of any product or element or part covered by this warranty.

EXCEPT AS OTHERWISE PROVIDED ABOVE, VIGO MAKES NO WARRANTIES, EXPRESSED OR IMPLIED, INCLUDING WARRANTIES OF MERCHANTABILITY AND FITNESS FOR A PARTICULAR PURPOSE OR COMPLIANCE WITH ANY CODE.

In any case, VIGO cannot be held liable for any amount over and above the purchase price paid for the Product by the owner/end-user, contractor, or builder.

Commercial Limitations

In addition to the above conditions and limitations, the warranty period for products installed for commercial applications or used in commercial ventures is one (1) year from the initial date of purchase by the owner/end-user, contractor, or builder from an authorized dealer. VIGO is not responsible for loss of use or profit under any circumstances. If the product is used as a display, the warranty period begins when the product is placed on display. This warranty gives the owner/end-user specific legal rights. The owner/end-user may also have other rights which can vary from one state or province to another.

Warranty Service

In order to obtain service provided under this warranty during regular business hours, contact the dealer or distributor who sold the unit, or contact VIGO directly. VIGO will provide the warranty service described above when the following conditions have been met: the failure is of the nature or type covered by the warranty; the user has informed an authorized VIGO Agent or VIGO's warranty service department representative of the nature of the problem during the warranty period; conclusive evidence (e.g., proof of purchase or installation) is provided to the foregoing by the user proving that the failure occurred or was discovered within the warranty period; an authorized independent service person or company representative has been permitted to inspect the product during regular business hours within a reasonable time after the problem was reported by the user. VIGO's warranty obligation shall be discharged upon tender of replacement or repair. The customer's refusal to accept the tender terminates VIGO's warranty obligations.

*Certain models are pending approval.

Certification may be ended by VIGO or certification agencies without notice.

SPÉCIFICATIONS DE L'ÉVIER

VIGO

Modèle VGSTRAINER

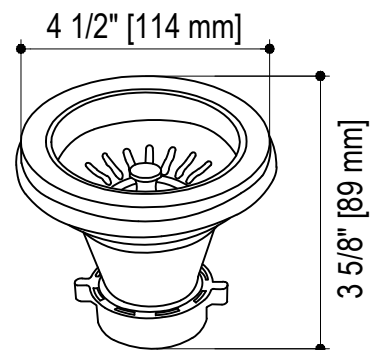
CARACTÉRISTIQUES

- Crépine d'évier en chrome ou en acier inoxydable
- Panier de protection pour crépine amovible
- Convient pour une ouverture standard de 3 1/2"

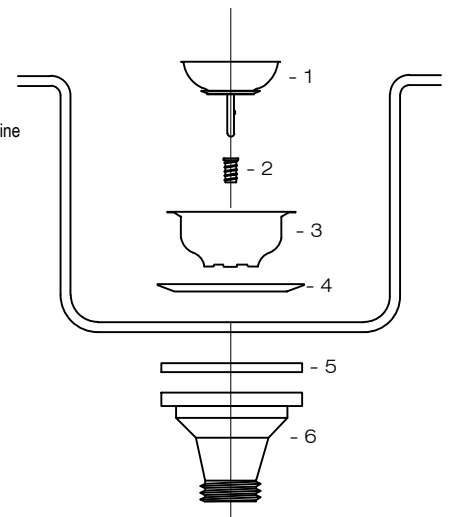


DIMENSIONS NOMINALES

DIAMÈTRE	PROFONDEUR
4 1/2"	3 5/8"



1. Ensemble de panier de protection pour crépine
2. Vis
3. Récipient de crépine
4. Joint supérieur
5. Joint inférieur
6. Récipient pour déchets



**GARANTIE LIMITÉE À VIE DES ACCESSOIRES DE CUISINE
EN VIGUEUR LE 1ER JANVIER 2010**

VIGO accorde la garantie limitée suivante sur chacun de ses produits accessoires de cuisine* (le produit) et leurs composants. Cette garantie ne s'applique qu'au premier acheteur ou utilisateur final en vue d'un usage personnel domestique. D'autres limitations s'appliquent en cas d'usage commercial. Sous réserve de conditions normales d'entretien et d'utilisation, VIGO garantit les composants mécaniques du produit contre tout vice matériel ou de fabrication pendant un (1) an à partir de la date du premier achat du produit à VIGO ou à un détaillant agréé de VIGO, par le propriétaire, l'utilisateur final, l'entrepreneur ou le constructeur.

Sous réserve de la disposition ci-dessous concernant le service de garantie, tout produit déclaré défectueux auprès d'un détaillant agréé ou de VIGO au cours de la période de garantie sera réparé ou remplacé (par un produit de valeur équivalente) au choix de VIGO. Cette garantie s'applique au premier propriétaire ou utilisateur final et n'est pas transférable à un propriétaire ultérieur.

Aucun distributeur, détaillant agréé de VIGO ou autre tiers n'a reçu l'autorisation de faire des affirmations ou des représentations ou encore de donner des garanties autres que celles contenues dans la présente garantie. Aucune affirmation, représentation ou garantie autre que celles contenues dans la présente garantie n'est opposable à VIGO ou à un tiers.

VIGO se réserve le droit de modifier la présente garantie à tout moment, étant entendu que les dites modifications ne peuvent changer les autres dispositions applicables au moment de la vente des produits visés.

Limitations

Cette garantie ne s'applique pas en cas de procédures d'utilisation incorrectes, de bris ou de dégâts découlant d'une faute due à une mauvaise installation, à la négligence, à une utilisation abusive, à une utilisation non autorisée, à un mauvais entretien ou à la modification du produit, ainsi qu'à une corrosion chimique ou naturelle, à un accident, à un incendie, à une inondation, à une catastrophe naturelle ou à tout autre sinistre. Les nettoyants abrasifs, la laine d'acier et les produits chimiques puissants peuvent érafler, endommager ou ternir le produit et le fini et entraîner l'annulation de la présente garantie. Le propriétaire/l'utilisateur final du produit couvert par la présente garantie est entièrement responsable de sa bonne installation et des travaux de plomberie et de câblage électrique. VIGO n'installe pas le produit, ne supervise pas l'installation ni n'engage un entrepreneur à cette fin. Par conséquent, VIGO ne peut être tenue responsable des défauts, des bris ou des dégâts causés par l'installation ou en découlant, que ce soit directement ou indirectement.

Le propriétaire utilisateur final doit prévoir un accès aux composants du produit conformément aux explications du guide d'installation, afin que VIGO puisse exécuter les obligations stipulées aux présentes. En l'absence dudit accès, toutes les dépenses engagées pour le ménage seront à la charge du propriétaire/l'utilisateur final. La présente garantie ne s'applique pas aux produits qui n'ont pas été installés ou utilisés conformément aux consignes fournies par VIGO et à l'ensemble des règlements et des lois qui régissent ladite installation.

La présente garantie ne s'applique que si le produit VIGO est installé par des professionnels accrédités et entièrement assurés. VIGO recommande vivement de choisir des professionnels accrédités possédant de l'expérience dans l'installation de produits pour salles de bains et cuisines. Des personnes non expérimentées dans l'installation de certains produits, y compris sans toutefois s'y limiter, les produits en verre (portes de douches et lavabos en verre) sont susceptibles de les briser et, par conséquent, de provoquer des blessures, voire la mort.

VIGO n'est en aucun cas responsable des blessures, des décès ou des dommages directs, spéciaux, consécutifs ou indirects; de la perte de temps; de la perte de profits; des inconvénients; des frais accessoires, des coûts de main-d'œuvre ou de matériaux et de tout autre coût découlant de l'utilisation du produit ou de l'équipement ou en lien avec l'exécution de la présente garantie, ou encore découlant de la dépose ou du remplacement d'un produit, d'une pièce ou d'un élément couvert par la présente garantie.

SAUF DISPOSITION CONTRAIRE CI-DESSUS, VIGO NE FAIT AUCUNE GARANTIE, EXPRESSE OU IMPLICITE, Y COMPRIS DE VALEUR MARCHANDE, D'ADAPTATION À UN USAGE PARTICULIER OU DE CONFORMITÉ À UN CODE.

En aucun cas, VIGO ne peut être tenue responsable de tout montant supérieur au prix d'achat du produit déboursé par le propriétaire/l'utilisateur final, l'entrepreneur ou le constructeur.

Limitations commerciales

Outre les conditions et limitations ci-dessus, la période de garantie des produits installés dans un but commercial ou employés dans des commerces est de un (1) an à partir de la date du premier achat du produit par le propriétaire utilisateur final, l'entrepreneur ou le constructeur. En aucun cas, VIGO ne peut être tenue responsable des pertes de jouissance ou de profits. Si le produit est exposé, la période de garantie commence au moment où il est mis en exposition. La présente garantie confère au propriétaire/à l'utilisateur final des droits légaux auxquels peuvent s'ajouter d'autres droits selon l'état ou la province.

Service de garantie

Pour obtenir un service en vertu de la présente garantie pendant les heures normales d'ouverture, communiquez avec le détaillant ou le distributeur qui a vendu l'article, ou contactez directement VIGO. Si les conditions suivantes sont réunies, VIGO fournira le service de garantie décrit plus haut : la nature ou le type du problème est couvert par la garantie; l'utilisateur a informé un représentant autorisé de VIGO ou du service de garantie de VIGO de la nature du problème pendant la période de garantie; l'utilisateur a présenté aux personnes précitées des preuves concluantes (p. ex., preuve d'achat ou d'installation) indiquant que le problème est survenu ou a été découvert pendant la période de garantie; le représentant d'une personne ou une société de service agréée indépendante a pu inspecter le produit pendant les heures d'ouverture normales dans un délai raisonnable après le report du problème par l'utilisateur. Les obligations de VIGO au titre de la garantie seront exécutées lors de la proposition de remplacement ou de réparation. Le refus de ladite proposition par le client met fin aux obligations de VIGO au titre de la garantie.

*Certains modèles sont en attente d'approbation.

VIGO et les organismes de certification peuvent résilier les certificats sans préavis.

Modelo VGSTRAINER

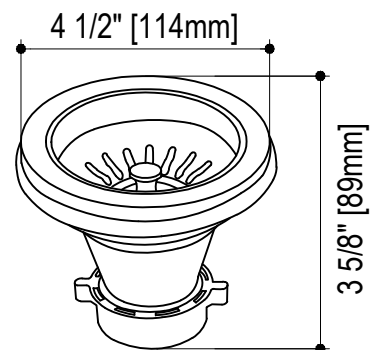
CARACTERÍSTICAS

- Colador para fregadero de acero inoxidable o cromo
- Canasta desmontable
- Entra en apertura estándar de 3 1/2"

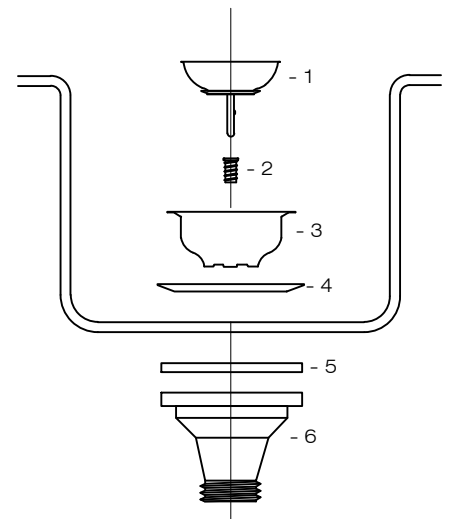


DIMENSIONES NOMINALES

DIÁMETRO	PROFUNDIDAD
4 1/2"	3 5/8"



1. Conjunto de canasta de colador
2. Tornillo
3. Tazón de colador
4. Retenedor superior
5. Retenedor inferior
6. Tazón de desechos



EN VIGENCIA DESDE EL 1° DE ENERO DE 2010

VIGO ofrece la siguiente garantía limitada por cada uno de sus Accesorios para cocina* (el "Producto") y sus componentes. La presente garantía sólo rige para el propietario o usuario final originales y por el uso personal doméstico. En el caso de usos comerciales, rigen otras limitaciones.

VIGO garantiza que el Producto carecerá de defectos de mano de obra y materiales en condiciones normales de uso y servicio durante un período de un (1) año a partir de la fecha de compra inicial por parte del propietario/usuario final, contratista o constructor a VIGO o a un distribuidor autorizado de VIGO.

Teniendo en cuenta las condiciones de reparación cubierta por la garantía indicadas más abajo, todos los productos que sean objeto de reclamo ante un distribuidor autorizado o ante VIGO por ser defectuosos dentro del período de garantía se repararán o reemplazarán (por un producto de valor equivalente) a discreción de VIGO. La presente garantía rige para el propietario o usuario final originales y no es transferible a propietarios posteriores.

Ni el mayorista, ni el distribuidor autorizado de VIGO ni otras personas tienen autorización para hacer afirmación o declaración alguna u ofrecer garantía alguna que no estén contenidas en la presente garantía. Cualquier afirmación, declaración o garantía no contenidas en la presente no podrán hacerse valer ante VIGO o ante otras personas.

VIGO se reserva el derecho de modificar la presente garantía en cualquier momento y se entiende que dichas modificaciones no alterarán las condiciones de la garantía aplicables en el momento de la venta de los productos en cuestión.

Limitaciones

La presente garantía no regirá en casos de procedimientos incorrectos, rupturas o daños provocados por fallos debidos a instalación inadecuada, falta de cuidado, abuso, mal uso, uso indebido, mantenimiento inadecuado o alteración del Producto así como por corrosión química o natural, accidentes, incendios, inundaciones, fuerza mayor o alguna otra casualidad. Evite usar limpiadores abrasivos, lanas de acero y productos químicos fuertes dado que rayan, dañan u opacan el producto o el acabado y anulan la garantía. El propietario/usuario final del Producto cubierto por la presente garantía es por completo responsable por la instalación adecuada y toda la plomería o el cableado eléctrico necesarios. VIGO no instala ni supervisa la instalación ni subcontrata con dicho fin a contratista alguno. Por ende, no puede considerársela responsable por cualquier defecto, ruptura o daño provocado por la instalación o que resulte de ella, tanto de manera directa como de manera indirecta.

El propietario/usuario final debe brindar acceso a los componentes del Producto tal como se describe en la guía de instalación de manera que VIGO pueda cumplir con la garantía especificada en la presente. En caso de no contar con dicho acceso, todos los gastos para proporcionarlo serán responsabilidad del propietario/usuario final. La presente garantía no rige para Productos que no se hayan instalado o utilizado según las instrucciones suministradas por VIGO y todas las reglas, normas y legislación aplicables sobre dichas instalaciones.

La presente garantía no tiene vigencia a menos que sean profesionales con licencia y seguro completos quienes instalen el Producto de VIGO. VIGO recomienda con especial énfasis que dichos profesionales licenciados cuenten con experiencia en la instalación de productos de baño y cocina. La instalación de ciertos productos, incluidos, entre otros, productos de vidrio (es decir, puertas de duchas y lavabos de vidrio) por parte de personas sin experiencia puede provocar ruptura del vidrio y, por ende, lesiones personales o la muerte.

VIGO no se hace responsable por lesiones personales o muerte de persona alguna o por daños directos, especiales, accidentales o resultantes, pérdida de tiempo, pérdida de ganancias, inconvenientes, gastos accidentales, honorarios por mano de obra, gastos en materiales o demás costos que sean consecuencia del uso del producto o del equipo o relacionados con la aplicación de la presente garantía o provocados por la extracción o el cambio de algún producto o elemento o pieza cubiertos por la presente garantía.

CON EXCEPCIÓN DE LO ESTIPULADO MÁS ARRIBA, VIGO NO OFRECE GARANTÍA ALGUNA, EXPRESA O IMPLÍCITA, INCLUIDAS GARANTÍAS DE COMERCIALIZACIÓN Y ADECUACIÓN A UN USO PARTICULAR O CUMPLIMIENTO CON CÓDIGO ALGUNO.

En ningún caso puede considerarse a VIGO responsable por monto alguno superior al precio de compra que el propietario/usuario final, contratista o constructor abonaron por el Producto.

Limitaciones Comerciales

Además de las condiciones y limitaciones precedentes, el período de garantía de los productos instalados para aplicaciones comerciales o utilizados en locales comerciales es de un (1) año desde la fecha de compra inicial por parte del propietario/usuario final, contratista o constructor a un distribuidor autorizado. VIGO no se hace responsable por pérdidas funcionales o de ganancias bajo ninguna circunstancia. Si el producto se utiliza para su exhibición, el período de garantía comienza cuando el producto se pone en exhibición. La presente garantía otorga al propietario/usuario final derechos legales específicos. El propietario/usuario final también puede tener otros derechos que pueden variar según el estado o la provincia.

Reparación cubierta por la garantía

Para obtener la reparación contemplada por la presente garantía durante el horario comercial regular, comuníquese con el distribuidor o el mayorista que le vendió la unidad o directamente con VIGO. VIGO proporcionará la reparación cubierta por la garantía que se describe más arriba cuando se cumpla con las siguientes condiciones: cuando el fallo sea de la naturaleza o el tipo cubiertos por la garantía; cuando el usuario haya informado a un agente autorizado de VIGO o a un representante del departamento de reparaciones cubiertas por la garantía de VIGO sobre la naturaleza del problema durante el período de garantía; cuando el usuario proporcione pruebas concluyentes (por ejemplo, comprobante de compra o instalación) de lo precedente donde se muestre que el fallo se produjo o se descubrió dentro del período de garantía; cuando se haya permitido a una persona o a una empresa independientes y autorizadas que brinden servicios de reparación inspeccionar el producto durante el horario comercial regular dentro de un tiempo razonable después de que el usuario haya comunicado el problema. La obligación de garantía de VIGO quedará terminada en el momento de la propuesta de cambio o reparación. Si el cliente se rehúsa a aceptar la propuesta, las obligaciones de garantía de VIGO no tendrán más vigencia.

*La aprobación de ciertos modelos está pendiente.

VIGO o las agencias de certificación pueden dar por finalizada la certificación sin previo aviso.