

MODEL VG08011

CONTENT

DIMENSIONS

FEATURES / TECHNICAL DATA

PARTS LIST

TOOLS NEEDED

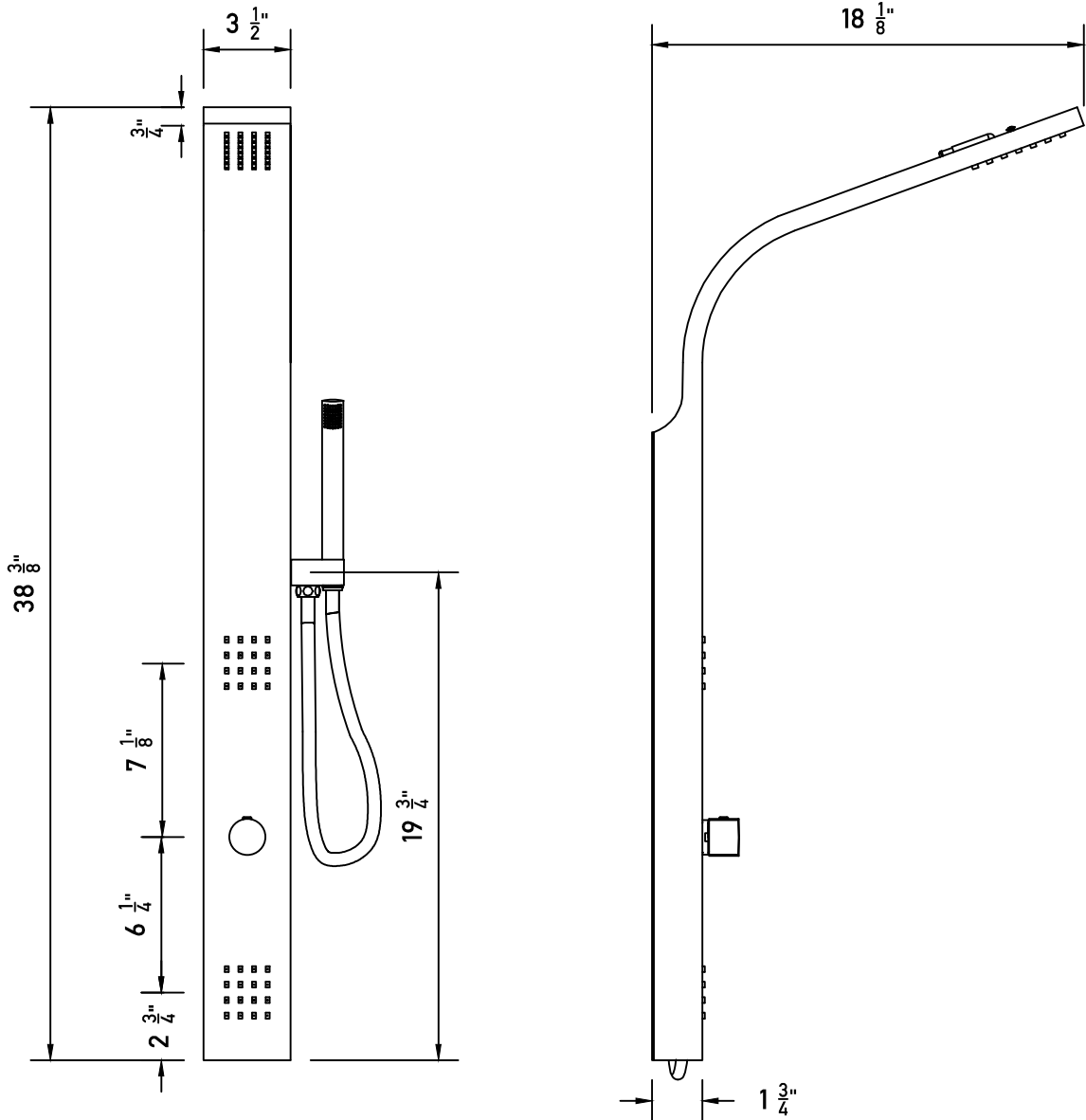
ASSEMBLY

INSTALLATION

CARE AND TROUBLE SHOOTING

WARRANTY

DIMENSIONS



DIMENSIONS:

- (H) 38.28" x (W) 3.5" x (D) 1.34" / (H) 98cm x (W) 9cm x (D) 4.5cm
- Hand shower hose: 59.05" (1.5m)
- Weight: Net: 8 ± 2.2 lbs / Gross: 12 lbs

CODE COMPLIANCE:

This product is tested and certified to meet U.S. and international standards. cUPC-certified

⚠ Before beginning installation, please ensure there is sufficient space and clearance to accommodate the shower panel (34" - 42" under shower head). If the space available is outside this range, the shower panel will not fit.

FEATURES

- Single-piece curving panel design
- Full stainless steel casing
- Fingerprint resistant nanotechnology coating
- Stainless steel-finished brass 3-way spray selector
- Stainless steel-plated brass hand shower
- Easy to install bracket system and connection to existing shower head outlet

Technical Data:

Maximum operating pressure:	125psi
Recommended pressure:	50-80psi
Test pressure:	80psi, 125psi
Max. hot water temperature:	176°F / 80°C
Recommended hot water temperature:	120-160°F
Flow rate @ 80 psi:	2.5 gpm

* For safety, it is highly recommended you familiarize yourself with all applicable local plumbing codes and temperature safety guidelines for your area before setting the temperature on the shower panel (especially for very hot water settings).

Parts List

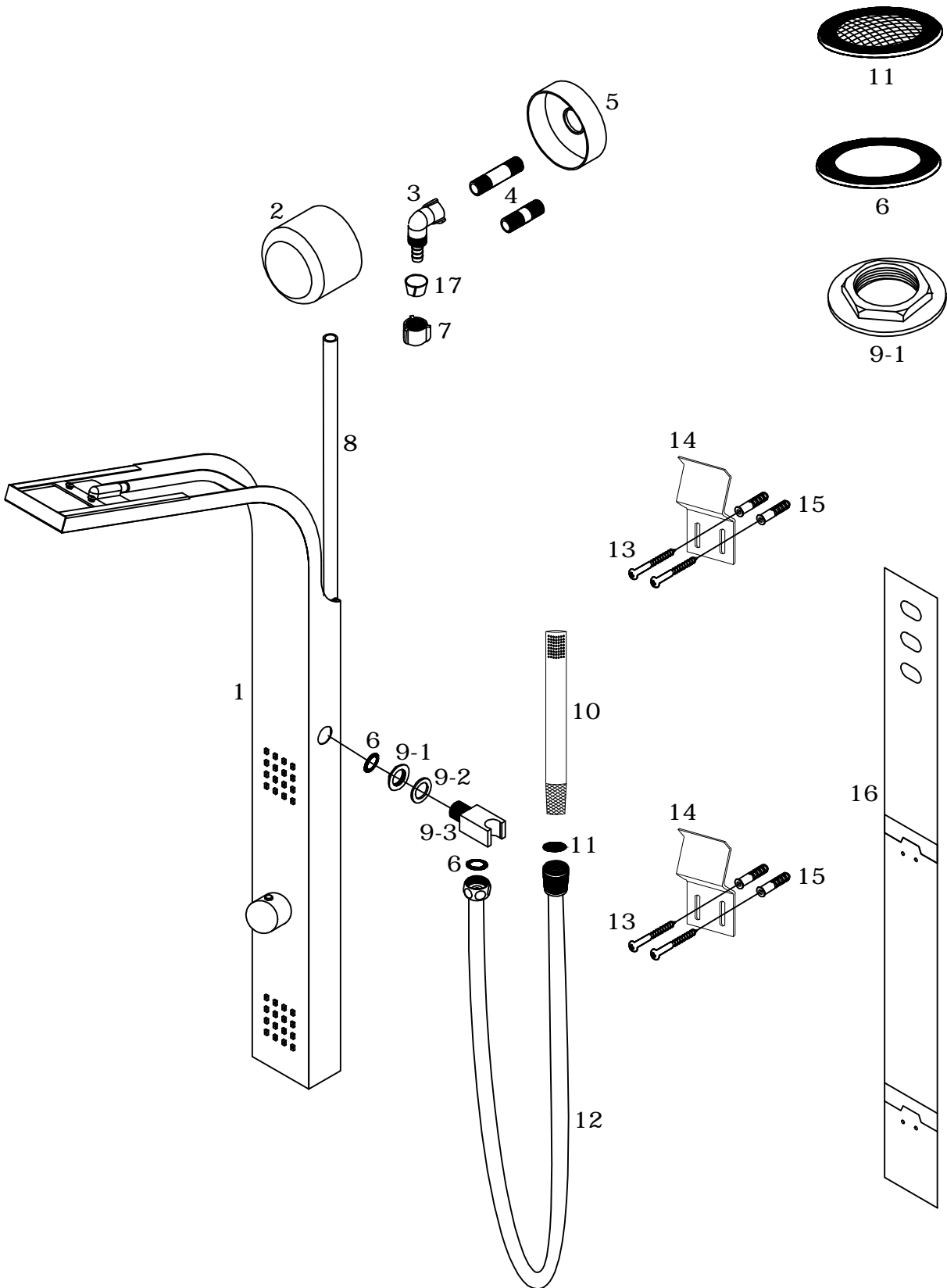
ITEM	DESCRIPTION	PART#	QTY
1	Shower panel casing	88107	1
2	Shower head outlet connector cover	84045	1
3	Elbow connector with cone washer	88108	1
4	Brass extender joint (1 5/8" & 2 5/8" x 1/2")	88109	2
5	Base plate cover with tape (for shower head outlet connector cover)	84046	1
6	O ring gasket	88092	2
7	Compression nut in chrome finish	88110	1
8	Main PVC supply line (43"/110cm)	84047	1
9	Handshower cradle assembly	88023	1
10	Stainless steel-plated brass hand shower	88001	1
11	Filter gasket	84001	2
12	Handshower hose	88005	1
13	Screws	88009	6
14	Positioning and support brackets	88006	3
15	Anchor screws	84000	6
16	Installation template guide	84048	1
17	Metal reinforcement band	88112	1
18	2.5 gpm flow restrictor	84046	1
19	Diverter cartridge	88120	1

IMPORTANT

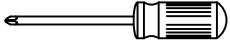
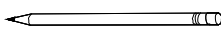


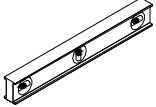

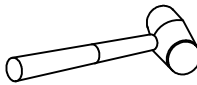




Take note of the different standards and rules your local and municipal plumbing coders have in affect before installing. For example - The Canadian Plumbing Code requires the installation of air chambers or surge arresting devices to eliminate water hammer.

Veillez vous informer des differentes règles du Code Canadien de plomberie et des exigences de votre localité avant l'installation. Le Code Canadien de plomberie exige l'installation de têtes d'air afin d'amortir les coups dans la plomberie.



Recommended Tools for Installation:

			
Phillips Screwdriver	Pencil	Shears	Wrenches
			
Level	Sealing Tape	Hammer	Electric Drill
			
Grooved Joint Pliers			



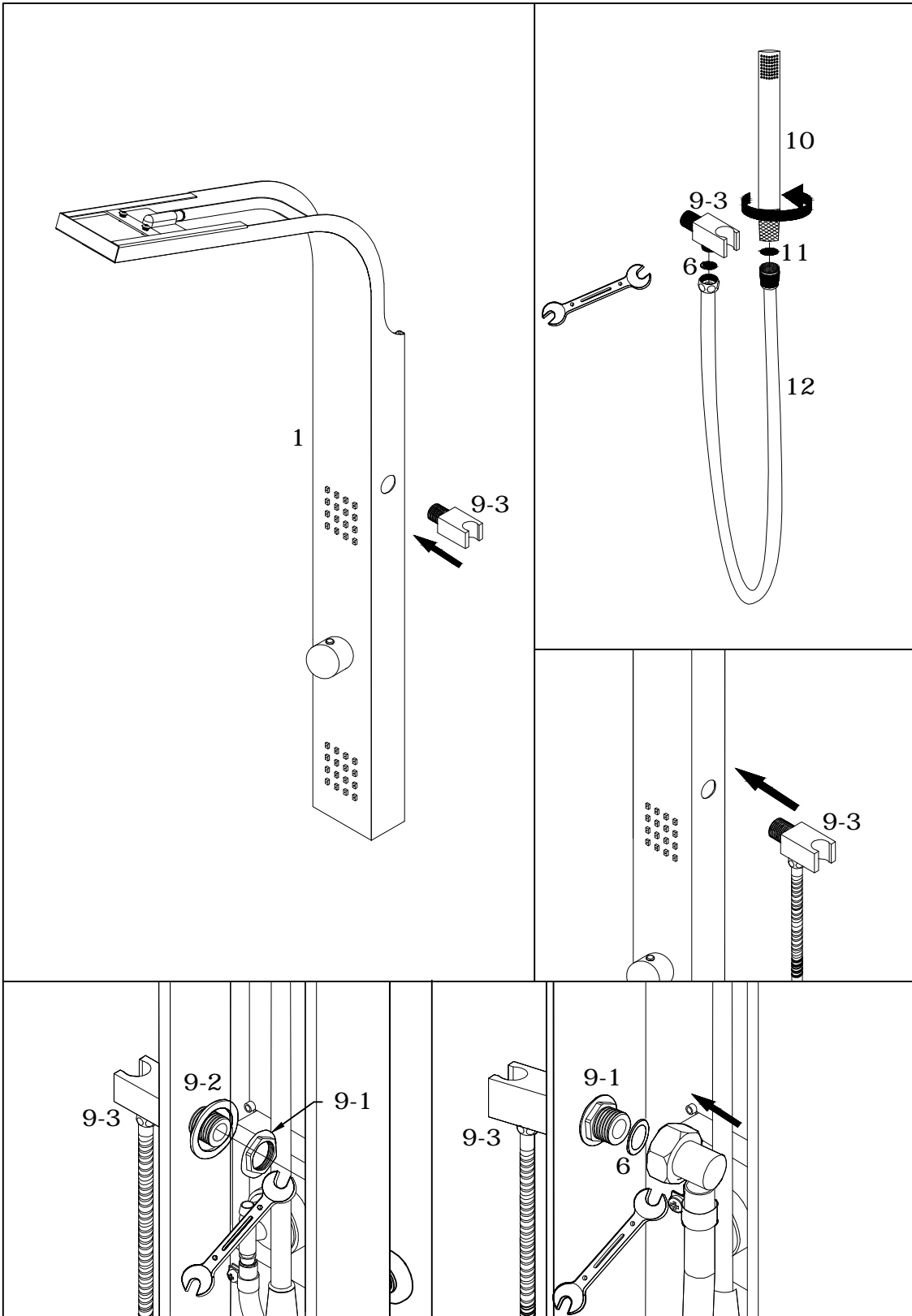
Attention:

- Please read this Installation and User Guide before operating.
- Always take extra care when installing to prevent injury. Please wear appropriate safety equipment.
- Do not allow children unsupervised use of the shower panel.
- Do not use the shower panel if you are physically impaired or under the influence of alcohol or any substance that may prevent you from properly operating the shower panel.
- Do not allow sensitive parts of the body such as eyes to come too close to the shower jets.
- Proper pressure balance needs to be maintained between hot and cold water inputs to prevent scalding or injury.

Important Notes for Installation:

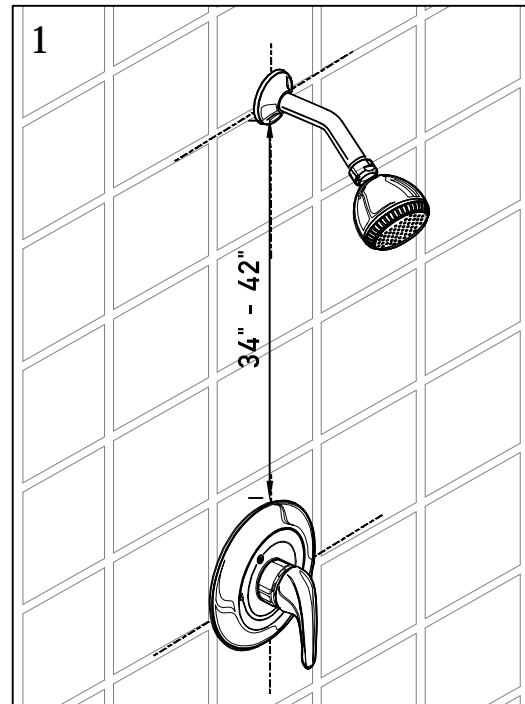
- It is highly recommended that a licensed plumber perform the installation.
- Before and during installation, please read and familiarize yourself with all installation instructions for this product.
- Please keep all components, parts and accessories of this product away from small children and minors. During installation, all screws, tools and small parts should be supervised so that they do not fall into the hands of children.
- Use caution at all times when installing this product. Please ensure that you are physically able to perform all parts of the installation and that you have the correct tools and equipment needed.
- Before beginning, remove all wrappers and packaging materials including staples and packing straps.
- Please check to ensure that all components and parts are complete.
- The filter gasket (Part #11) must be installed to protect against incoming dirt by pipework. Incoming dirt can impair the function and/or lead to damages on functional parts of the fixture. Manufacturer will not be held liable for resulting damages.
- The O ring gasket (Part #6) must be installed to prevent water leakage. Manufacturer will not be responsible or liable from any damage which results directly or indirectly from failure to install the O ring gasket correctly.

ASSEMBLY

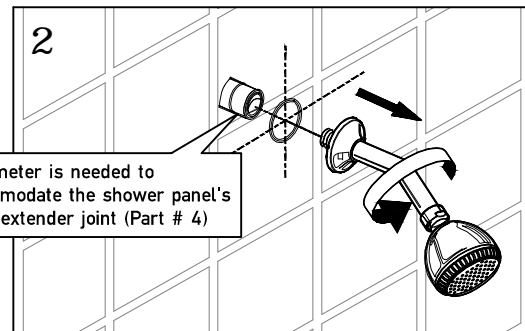


INSTALLATION

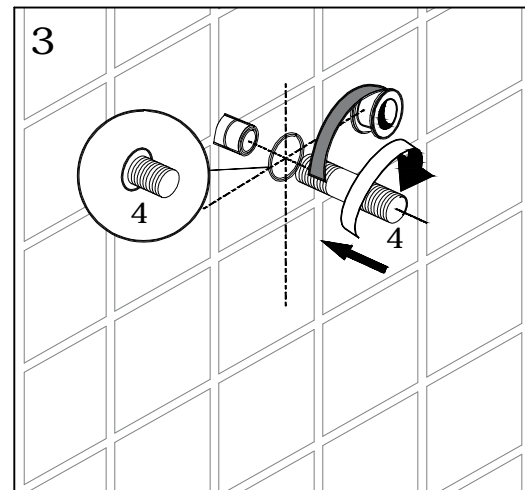
- Before beginning installation, please ensure there is sufficient space and clearance to accommodate the shower panel (34" - 42" under shower head). If the space available is outside this range, the shower panel will not fit.



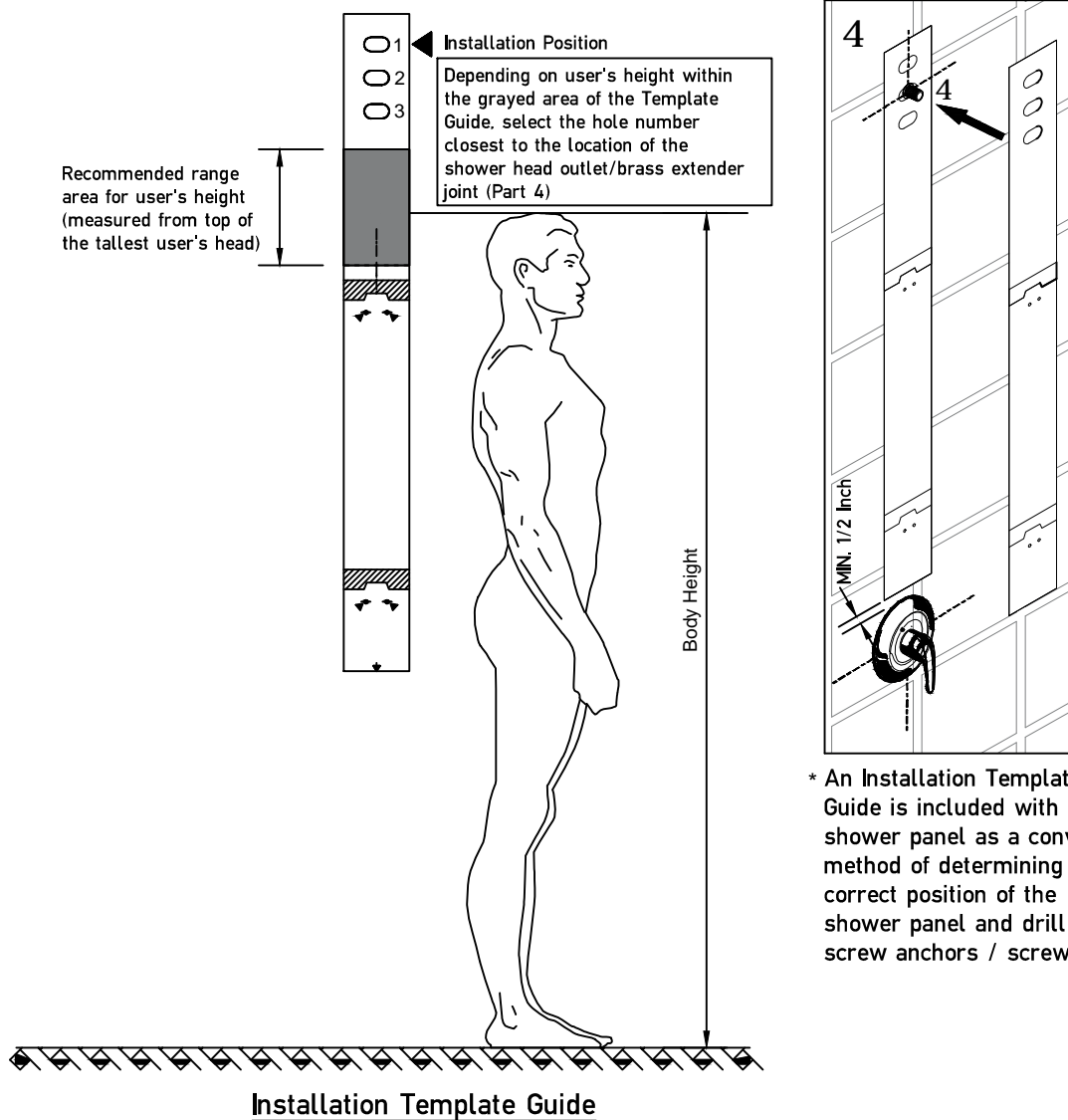
- Turn over the main water valve or source to your existing shower. Remove the existing shower head and shower arm.



- Connect the shower panel's 1/2" brass extender joint (Part # 4) to the existing shower head pipe outlet. Use waterproof plumbing tape to secure the connection and prevent leaks. (*There are 2 sizes of 1/2" brass extender joint (Part # 4) provided. Please choose the appropriate size for this part depending on the thickness of the shower wall.)



INSTALLATION



* An Installation Template Guide is included with your shower panel as a convenient method of determining the correct position of the shower panel and drill in screw anchors / screws.

STEPS TO USE TEMPLATE:

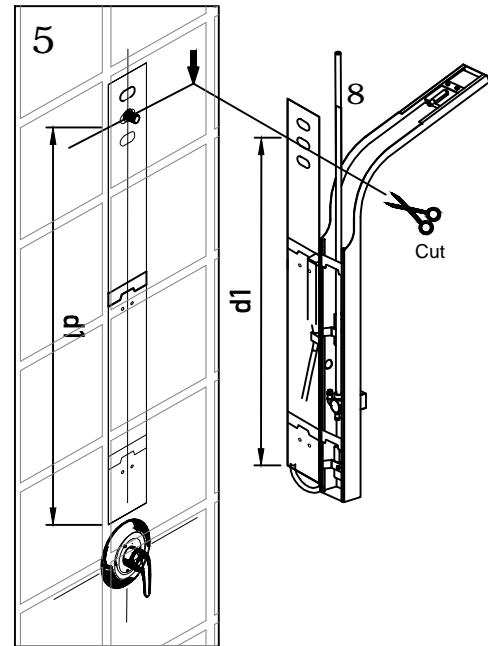
- Place the template guide on the shower wall over the desired position for the shower panel.
- Have the tallest user at home stand next to the template guide against the shower wall.
- Keeping the top of the tallest user's head level within the Recommended Range Area (marked as darkened section at 25 1/4" and 31 1/3" height on template), find the desired height level relative to the position of the 5 holes on top of the template).
- Determine which of the five holes above the template is closest to the outlet of the existing shower/head with brass extender joint attached in Installation Part 3.
- Mark which hole is closest to the correct desired position and place the template against the shower wall with shower head outlet/brass extender joint inside the hole marked.
- Once the template position is selected and the shower head outlet is inside the selected hole, double check to make sure the tallest persons' top-of-head level is still within the gray marked area printed on the template.

INSTALLATION

This section will help you measure the required length of the main PVC supply line (Part 8) relative to the final position of the template guide.

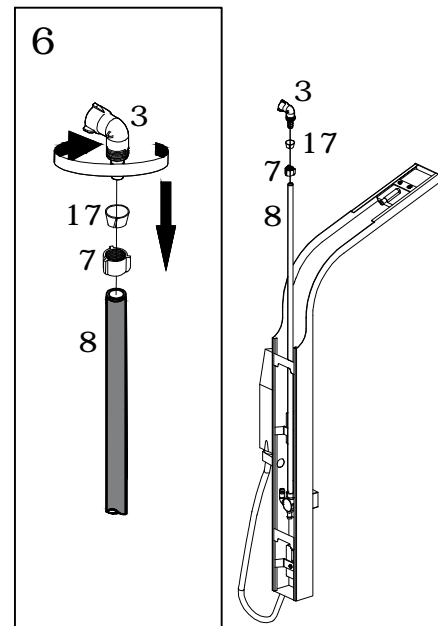
Steps:

- Measure the distance between the bottom of the template to the closest approximate hole position on the top of the template, which corresponds to where the shower outlet pipe is. Refer to the distance as "d1".
- Add 1 inch to your "d1" measurement.
- Using the length of "d1" as a guide, measure this length on the main PVC supply line hose (Part 8) and shear the excess length from the hose. NOTE: Dry fit the connection prior to cutting.



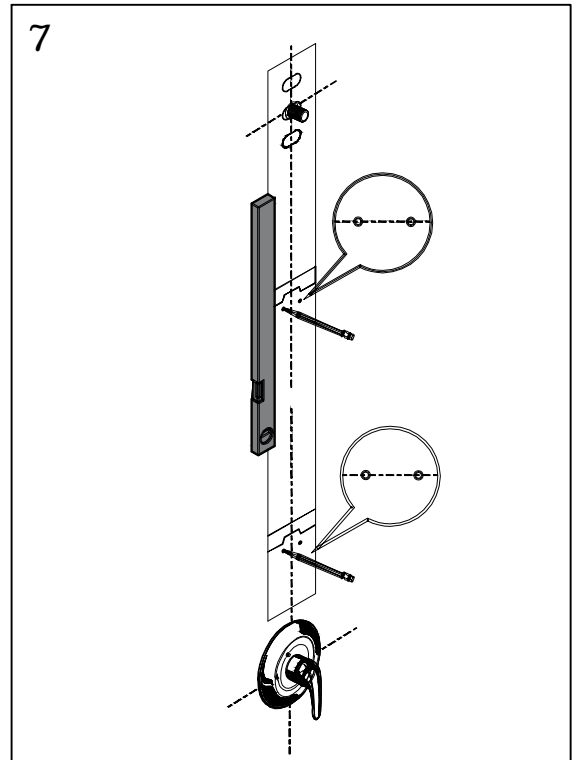
Connecting the elbow connector assembly to the main PVC supply line:

- Insert top-end of main PVC supply line (Part 8) into the chrome compression nut (Part 17 & 7).
- Insert Part 3 into the combination of Parts 7 and 8 and tighten in a clockwise direction while gently but firmly pushing downwards until the main PVC supply line is properly connected to the elbow connector valve with O ring gasket and chrome compression nut is in between.

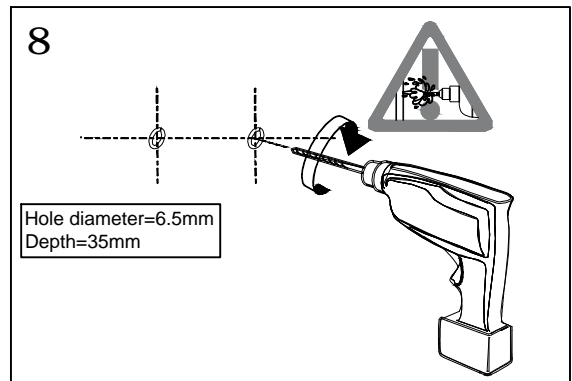


INSTALLATION

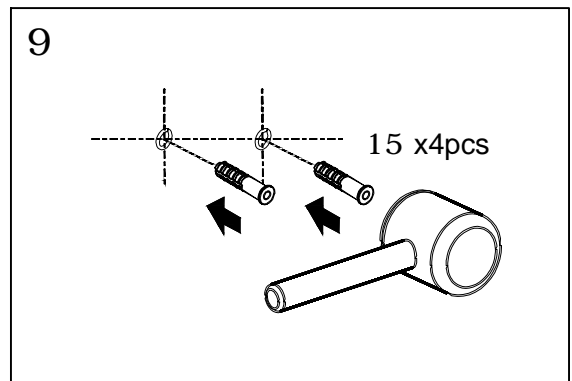
- To ensure the template (and your shower panel) will be in a completely straight and level position, use a level against the side of the template guide to make fine adjustments to the template guide's position until fully level.
- Once fully level, this will be the final position of the template guide.
- Take a pencil/marker and mark the positions of the anchor screws (Part 15) for which 4 holes will need to be drilled.



- Use the drill with correct indicated sized drill bit to drill each of the 4 holes as marked in step 6. Do not drill too deep a hole - only enough depth to fully enclose the anchor screws. **Note:** Please double check to ensure there is no existing water pipes or obstruction behind area you are drilling. If there is an obstruction, you will need to reposition the template guide to avoid it.

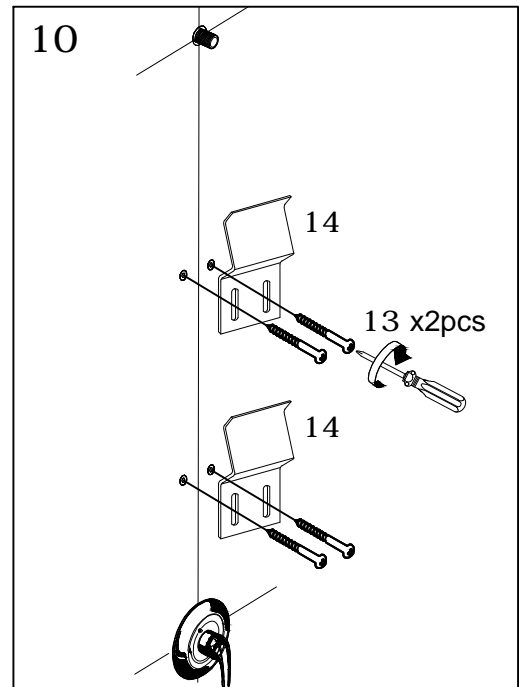


- After holes have been drilled, insert the provided anchor screws (Part 15).

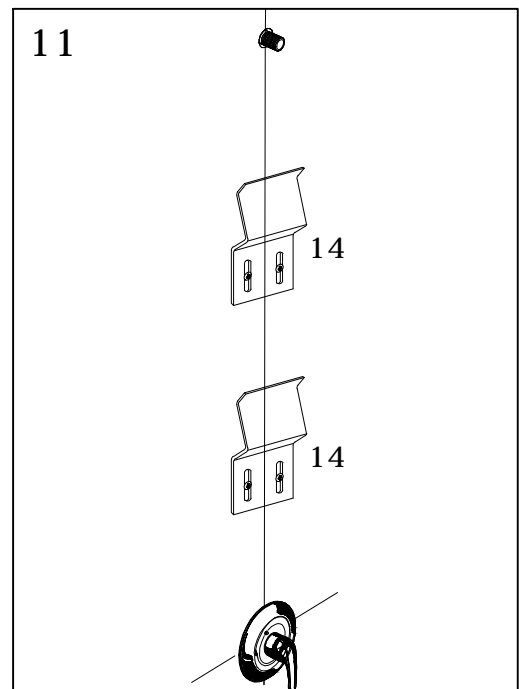


INSTALLATION

- After anchor screws have been installed, affix the positioning and support brackets (Part 14) using supplied screws (Part 13).

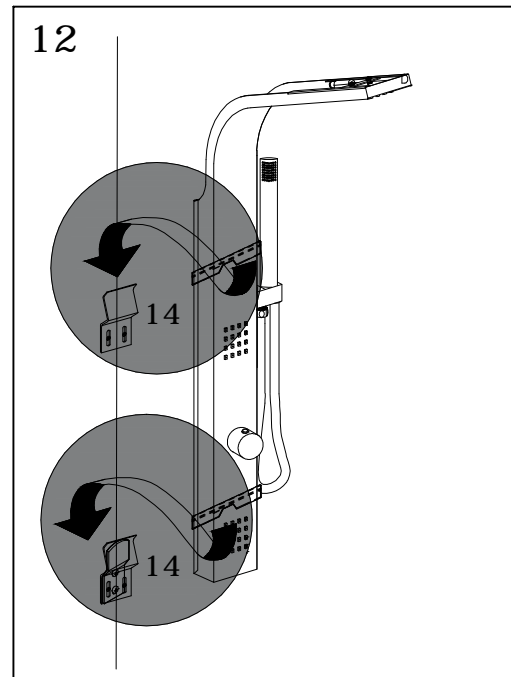


- For the positioning and support brackets (Part 14), please make sure that they are installed with protruding portion facing upward as shown in the drawing.



INSTALLATION

- After all connections have been completed on the rear of the shower panel, it is ready to be hung unto the shower wall for permanent installation.
- Simply raise the shower panel, bringing it close to the surface of the shower wall and gently lower it until the bracket support struts pre-welded at the back of the shower panel meet the positioning and support brackets installed in step 10. Please ensure the middle part of the brackets (Part 14) are centered to the middle part of the bracket support struts which have a cut-out section to lock in the brackets.
- Once a snug and secure fit is achieved and all parts of the PVC supply line are secured to the back of the shower panel, silicone sealant can be applied to the rear of the shower panel casing to hold it in place and prevent water from entering the rear of the panel.

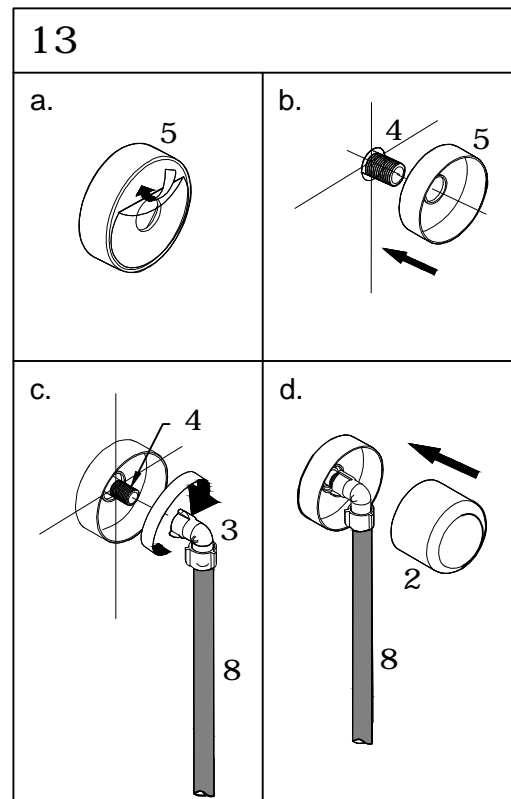


- Peel off the adhesive paper from the back of the base plate cover (Part 5).
- Position the flat side of Part 5 with adhesive facing the shower wall and apply pressure to secure it.

Note: Please make sure this surface is free from dirt and residue to ensure the adhesive bonds with the wall. If the existing shower pipe outlet does not protrude from the wall, then there is no need to apply the base plate cover (Part 5) and the shower head outlet connection cover (Part 2).

- Join the elbow connector/main PVC pipe assembly to the brass extender joint (Part 4) by connecting them and turning clockwise to tighten (do not over-tighten).
- Install the shower head connector cover (Part 2).

Congratulations! You have completed installation of your new Vigo Industries shower panel! We hope you enjoy using your new shower panel for many years to come! If you have questions, comments or need assistance, please contact us toll free at (866) 591 - 7792 or email us at techmail@vigoindustries.com. Thank you!



Cleaning Recommendation for Vigo Products

Modern sanitary tapware, kitchen mixers and showers consist of very different materials to comply with the needs of the market with regard to design and functionality.

To avoid damage and reclamations, it is necessary to consider certain criteria when cleaning.

Cleaning Material for Mixers and Showers

Acids are necessary ingredients of cleaning materials for removing lime, however, please pay attention to the following points when cleaning mixers and showers:

- Only use cleaning materials which are explicitly provided for this type of application.
- Never use cleaning materials which contain hydrochloric, formic or acetic acid, as they cause considerable damage.
- Phosphoric acid is also restricted as it can cause damage to the finish.
- Never mix any cleaning material with another.
- Never use cleaning materials or appliances that have an abrasive effect, such powdered and industrial cleansers, scouring pads or micro fiber cloths.

Cleaning Instructions for Mixers and Showers

Please follow the instructions on your cleaning materials. In addition, pay attention to the following points:

- Clean the mixers and showers as needed and when required.
- The cleaning dosage and time the cleaner needs to take effect should be adjusted according to the product and the cleaner should not be left longer than necessary.
- Regular cleaning can prevent calcification.
- When using spray cleaner, spray first onto a cloth or sponge-never directly spray onto the sanitary tapware as drops could enter openings and gaps and cause damage.
- After cleaning, rinse thoroughly with clean water to remove any cleaner residue.

Important

Residues of liquid soaps, shampoos and shower foams can also cause damage, so rinse with clean water after using. If the surface is already damaged, the effect of cleaning materials will cause further damage.

DAMAGE CAUSED BY IMPROPER TREATMENT WILL NOT BE COVERED BY OUR GUARANTEE AND/OR WARRANTY

Trouble Shooting

Issue	Cause	Remedy
water level is too low	debris in flexible hose connection	flush the line
hand shower delivering insufficient water	build up of mildew or soap scum	soak or replace hand shower
temperature regulation not possible (only hot or cold water at time of installation)***	thermostatic cartridge is defective	exchange thermostatic cartridge
	PSI or GPM improper	install pressure regulator
temperature regulation not possible (only hot or cold water)	thermostatic cartridge is defective or supply hose(s) faulty	exchange thermostatic cartridge resecure or replace supply hose(s)

*** Vigo is not responsible for pressure related issues stemming from the home's water supply. The customer should read, understand and/or ask a certified plumber prior to installation. If these steps are not taken the product may not work at optimum efficiency.

TOLL FREE: (866) 591 - 7792

E-Mail: techmail@vigoindustries.com

www.vigoindustries.com

VIGO

EFFECTIVE JANUARY 1, 2010

VIGO offers the following limited warranty on each of its Shower Panel products* (the "Product") and the components thereof. This warranty extends only to the original owner or end-user for personal household use. For commercial uses, additional limitations apply.

VIGO warrants the structural components of the Product to be free from defects in workmanship and materials under normal use and service for the period commencing from the initial date of purchase by the owner or end-user, contractor, or builder, from VIGO or an authorized VIGO dealer, through the lifetime of the original owner or end-user.

VIGO warrants the mechanical components of the Product to be free from defects in workmanship and materials under normal use and service for a period of two (2) years from the initial date of purchase by the owner or end-user, contractor, or builder, from VIGO or an authorized VIGO dealer.

Subject to the Warranty Service provision below, any product reported to the authorized dealer or to VIGO as being defective within the warranty period will be repaired or replaced (with a product of equal value) at the option of VIGO. This warranty extends to the original owner or end-user and is not transferable to a subsequent owner.

Neither the distributor, authorized VIGO dealer, nor any other person has been authorized to make any affirmation, representation, or warranty other than those contained in this warranty. Any affirmation, representation, or warranty other than those contained in this warranty shall not be enforceable against VIGO or any other person.

VIGO reserves the right to modify this warranty at any time, it being understood that such modifications will not alter the warranty conditions applicable at the time of sale of the products in question.

Limitations

This warranty shall not apply to instances of incorrect operating procedures, breakages, or damages caused by fault through improper installation, carelessness, abuse, misuse, misapplication, improper maintenance, or alteration of the Product, as well as chemical or natural corrosion, accident, fire, flood, an act of God, or any other casualty. Avoid abrasive cleaners, steel wools, and harsh chemicals as these will scratch, damage, and / or dull the product and / or finish and void this warranty. The owner/end-user of the Product covered by the present warranty is entirely responsible for its proper installation and any applicable plumbing or electrical wiring. VIGO neither installs nor supervises the installation nor hires a contractor for this purpose; consequently, VIGO cannot be held responsible for any default, breakage, or damages caused thereby or resulting thereof, either directly or indirectly.

The owner/end-user must provide access to the components of the Product as described in the installation guide so that VIGO can execute the warranty specified herein. If such access is not available, all expenses to provide said access will be the responsibility of the owner/end-user.

This warranty does not apply to Products that have not been installed or operated in accordance with instructions supplied by VIGO and all applicable rules, regulations, and legislation pertaining to such installations.

This warranty does not apply unless the VIGO Product is installed by fully insured licensed professionals. VIGO strongly recommends that such licensed professionals have experience in the installation of bathroom and kitchen products. Installation of certain products, including, without limitation, glass products (i.e., shower doors and glass sinks) by an inexperienced person may result in glass breakage and, consequently, cause personal injury or death.

VIGO is not liable for personal injuries or deaths to any persons or for any direct, special, incidental, or consequential damage, loss of time, loss of profits, inconvenience, incidental expenses, labor or material charges, or any other costs resulting from the use of the product or equipment or pertaining to the application of the present warranty, or resulting from the removal or replacement of any product or element or part covered by this warranty.

EXCEPT AS OTHERWISE PROVIDED ABOVE, VIGO MAKES NO WARRANTIES, EXPRESSED OR IMPLIED, INCLUDING WARRANTIES OF MERCHANTABILITY AND FITNESS FOR A PARTICULAR PURPOSE OR COMPLIANCE WITH ANY CODE.

In any case, VIGO cannot be held liable for any amount over and above the purchase price paid for the Product by the owner/end-user, contractor, or builder.

Commercial Limitations

In addition to the above conditions and limitations, the warranty period for products installed for commercial applications or used in commercial ventures is one (1) year from the initial date of purchase by the owner/end-user, contractor, or builder from an authorized dealer. VIGO is not responsible for loss of use or profit under any circumstances. If the product is used as a display, the warranty period begins when the product is placed on display. This warranty gives the owner/end-user specific legal rights. The owner/end-user may also have other rights which can vary from one state or province to another.

Warranty Service

In order to obtain service provided under this warranty during regular business hours, contact the dealer or distributor who sold the unit, or contact VIGO directly. VIGO will provide the warranty service described above when the following conditions have been met: the failure is of the nature or type covered by the warranty; the user has informed an authorized VIGO Agent or VIGO's warranty service department representative of the nature of the problem during the warranty period; conclusive evidence (e.g., proof of purchase or installation) is provided to the foregoing by the user proving that the failure occurred or was discovered within the warranty period; an authorized independent service person or company representative has been permitted to inspect the product during regular business hours within a reasonable time after the problem was reported by the user. VIGO's warranty obligation shall be discharged upon tender of replacement or repair. The customer's refusal to accept the tender terminates VIGO's warranty obligations.

*Certain models are pending approval.

Certification may be ended by VIGO or certification agencies without notice.