

LIPSY

Built-in basin

8 1129 8 000 109 1

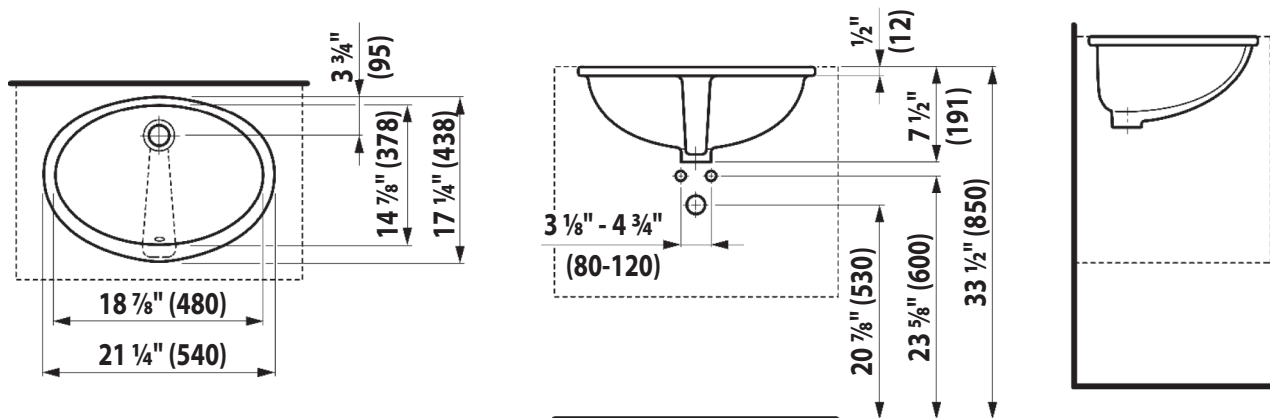
19" x 15"



TECHNICAL DATA

Order No.	81129 8 000 109 1	Specification	LAUFEN LIPSY undermount basin with mounting accessories, cUPC (IAPMO / CSA) listed
Certification	cUPC (IAPMO / CSA)		
Dimensions	21 1/4" x 17 1/4" x 7 1/2" (540 x 438 x 191mm)		
Options	109-without tap hole		
Weight	18 lbs. (8.1 kg)		
Mat. Incl.	Mounting Accessories 8.99040		

TECHNICAL DRAWINGS



Laufen Bathrooms USA toll free phone (866) 696-2493 toll free fax (866) 628-1760 usa@laufen.com
 Laufen Bathrooms CANADA toll free phone (866) 479-8425 toll free fax (866) 479-8434 canada@laufen.com