

LIPSY

Built-in basin

8 1129 6 000 109 1

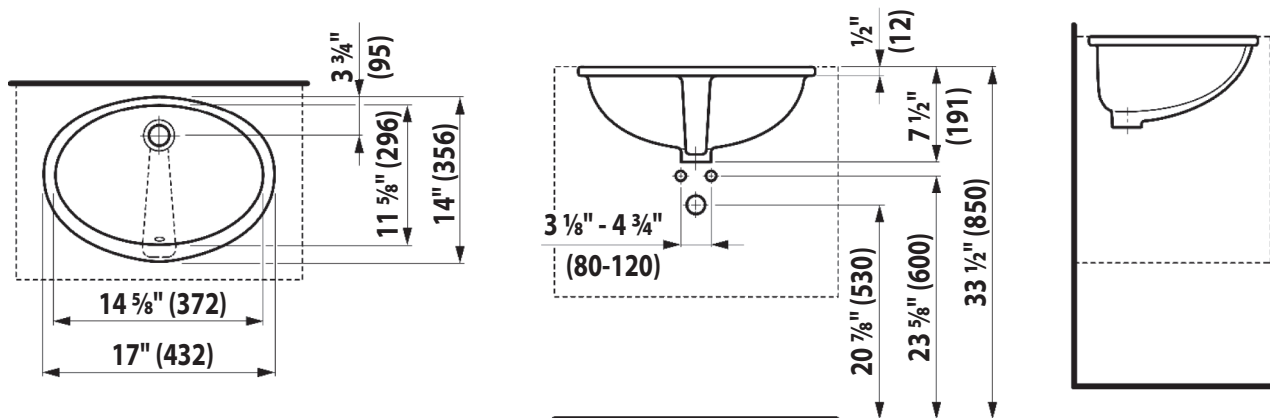
15" x 12"



TECHNICAL DATA

Order No.	81129 6 000 109 1	Specification	LAUFEN LIPSY undermount basin with mounting clips, cUPC (IAPMO / CSA) listed
Certification	cUPC (IAPMO / CSA)		
Dimensions	17" x 14" x 7 1/2" (432 x 356 x 191mm)		
Options	109-without tap hole		
Weight	16.98 lbs. (7.7 kg)		
Mat. Incl.	Mounting Accessories 8.99040		

TECHNICAL DRAWINGS



Laufen Bathrooms USA toll free phone (866) 696-2493 toll free fax (866) 628-1760 usa@laufen.com
 Laufen Bathrooms CANADA toll free phone (866) 479-8425 toll free fax (866) 479-8434 canada@laufen.com