

CRAFTMADE



Sloan - SLN56

Sloan Ceiling Fan (Blades Included)

Finish:



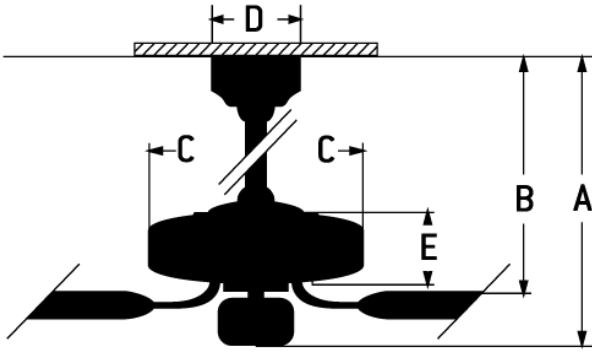
- Standard, 3-Speed Reversible Motor
- 6" Downrod (Included)
- 56" Reversible Blades in Weathered Mesquite/Dark Cedar (Included)
- Dual Mount (Flat or Angled Ceiling)

Specs

Blade Sweep Opt (in.)	56
Blades	5
Blade Pitch (deg)	12
Motor Size (MM)	172x20mm
Amps at High Speed	0.45
Watts (Hi Speed)	65
Energy Guide Watts	43
Energy Guide CFM	4211
Energy Guide CFM_Watts	99
Energy Guide Est. Yearly Energy Cost	12
High Speed (CFM)	5,096,000
Low Speed (CFM)	2,248,000
Carton Size (CU FT)	2.45
Blade Options	Fits Only

Dimensions

A:	16.61
B:	14.82
C:	13.66
D:	7.17
E:	10.55
F: w/o Light Kit - Downrod Length (in.)	10.55 6



Downloads

Sloan - SLN56



[PDF Spec Sheet](#)



[Installation Guide](#)



[Energy Guide](#)



[Energy Guide Image](#)