

CRAFTMADE

Vesta - VS60

Vesta Ceiling Fan (Blades Included)



Finish:



Whether your look is traditional, transitional, or contemporary, the ultra-versatile Vesta ceiling fan blends with most décors. Choose from Oiled Bronze with Oiled Bronze/Mahogany blades or Stainless Steel with Flat Black/Walnut blades. The Vesta comes fully-equipped with the patented Tripod Mounting System, and independently controlled indirect uplight and integrated halogen downlight.

- Heavy-Duty, 3-Speed Reversible Motor
- 4.5" Downrod (Included)
- 60" Reversible Blades in Flat Black/Walnut (Included)
- Integrated Uplight (6-15W Candelabra Bulb Included), Downlight (1-75W JD Halogen Bulb Included)
- TCS Remote & Wall Controls (Included)
- Dual Mount (Flat or angled ceiling)
- Optional Blank Light Lens Cover (Included)
- Remote Dimming

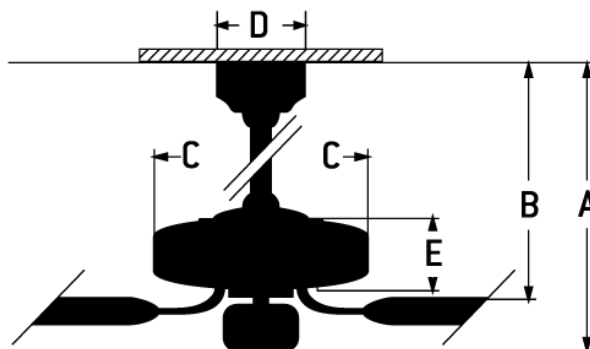
Specs

Blade Sweep Opt (in.)	54, 56, 60
Blades	5
Blade Pitch (deg)	13.50
Motor Size (MM)	188x25
Amps at High Speed	0.60
Watts (Hi Speed)	72.70
Energy Guide Watts	50
Energy Guide CFM	5328.37
Energy Guide CFM_Watts	73.29

Energy Guide Est. Yearly Energy Cost	14
High Speed (CFM)	5,328.370
Low Speed (CFM)	2,267.520
Shipping Weight (lbs.)	37.59
Carton Size (CU FT)	3.55
Blade Options	Type1
Bulb Wattage	3
Light Kit Options	Integrated Light Kit

Dimensions

A:	19.92
B:	17.07
C:	16.67
D:	5.96
E:	15.10
Downrod Length (in.)	4.50



Downloads

Vesta - VS60

 [PDF Spec Sheet](#)

 [Installation Guide](#)

 [Energy Guide](#)

ENERGY INFORMATION at High Speed		
Airflow	Electricity Use	Airflow Efficiency
5328	73	73
Cubic Feet Per Minute	Watts (excludes lights)	Cubic Feet Per Minute Per Watt
Compare: 49" to 60" ceiling fans have airflow efficiencies ranging from approximately 51 to 176 cubic feet per minute per watt at high speed.		
Money-Saving Tip: Turn off fan when leaving room		