

Craftmade

CEILING FANS

Est. 1985

READ THESE INSTRUCTIONS AND
SAVE THEM FOR FUTURE USE

Federal regulations require ceiling fans with light kits manufactured or imported after January 1, 2009, to limit total wattage consumed by the light kit to 190W. Therefore, this fan is equipped with a wattage limiting device.



Installation Guide

For Models:

VS60OB5

VS60SS5

Table of Contents:

Safety Tips. pg. 1

Unpacking Your Fan. pg. 2

Parts Inventory. pg. 2

Installation Preparation. pg. 3

Hanging Bracket Installation. pg. 3

Fan Assembly. pgs. 4 - 5

Wiring. pg. 6

Canopy Assembly. pg. 7

Blade Assembly. pg. 7

Light Kit Assembly (Optional). pg. 8

Automated Learning Process./

Activating Code. pg. 9

Wall Control Operation. pg. 9

Remote Control Operation. pg. 10

Testing Your Fan. pg. 10

Troubleshooting. pg. 11

Warranty. pg. 11

Parts Replacement. pg. 11



E192641

net weight of fan: 32.5 lb (14.74 kg)

PRINTED IN CHINA

SAFETY TIPS.

WARNING: To reduce the risk of electrical shock, turn off the electricity to the fan at the main fuse box or circuit panel before you begin the fan installation or before servicing the fan or installing accessories.

1. **READ ALL INSTRUCTIONS AND SAFETY INFORMATION CAREFULLY BEFORE INSTALLING YOUR FAN AND SAVE THESE INSTRUCTIONS.**

CAUTION: To avoid personal injury, the use of gloves may be necessary while handling fan parts with sharp edges.

2. Make sure all electrical connections comply with Local Codes or Ordinances, the National Electrical Code, and ANSI/NFPA 70-1999. If you are unfamiliar with electrical wiring or if the house/building wires are different colors than those referred to in the instructions, please use a qualified electrician.
3. Make sure you have a location selected for your fan that allows clear space for the blades to rotate, and at least nine (9) feet (2.74 meters) of clearance between the floor and the fan blade tips. The fan should be mounted so that the tips of the blades are at least thirty (30) inches (76 centimeters) from walls or other upright structures.
4. The outlet box and ceiling support joist used must be securely mounted, and capable of supporting at least 35 pounds (16 kilograms). The box must be supported directly by the building structure. Use only CUL (Canada) or UL (USA) listed outlet boxes marked "FOR FAN SUPPORT."

WARNING: To reduce the risk of fire, electrical shock, or personal injury, mount to the outlet box marked "Acceptable for Fan Support of 15.9 kg (35 lb) or less," and use the mounting screws provided with the outlet box. Most outlet boxes commonly used for the support of lighting fixtures are not acceptable for fan support and may need to be replaced. Consult a qualified electrician if in doubt.

WARNING: To reduce the risk of fire, electrical shock, or personal injury, wire connectors provided with this fan are designed to accept only one 12 gauge house wire and two lead wires from the fan. If your house wire is larger than 12 gauge or there is more than one house wire to connect to the corresponding fan lead wires, consult an electrician for the proper size wire connectors to use.

5. Electrical diagrams are for reference only. Light kits that are not packed with the fan must be CUL (Canada) or UL (USA) listed and marked suitable for use with the model fan you are installing. Switches must be UL general use switches. Refer to the instructions packaged with the light kits and switches for proper assembly.
6. After installation is complete, check that all connections are absolutely secure.
7. After making electrical connections, spliced conductors should be turned upward and pushed carefully up into the outlet box. The wires should be spread apart with the grounded conductor and the equipment-grounding conductor on opposite sides of the outlet box.

WARNING: To reduce the risk of fire or electrical shock, do not use this fan with any solid state speed control device or control fan speed with a full range dimmer switch. [Using a full range dimmer switch to control fan speed will cause a loud humming noise from fan.]

8. Do not operate the reverse switch until fan has come to a complete stop. **[Note:** If using remote control with reverse capability, reverse fan blade direction only when on LOW speed.]
9. Do not insert anything between the fan blades while they are rotating.

WARNING: To reduce the risk of personal injury, do not bend the blade arms during assembly or after installation. Do not insert objects into the path of the blades.

WARNING: To avoid personal injury or damage to the fan and other items, be cautious when working around or cleaning the fan.

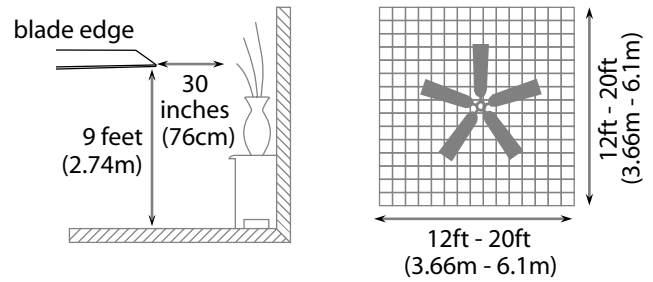
10. Do not use water or detergents when cleaning the fan or fan blades. A dry dust cloth or lightly dampened cloth will be suitable for most cleaning.

WARNING: To reduce the risk of personal injury, use **only** parts provided with this fan. **The use of parts OTHER than those provided with this fan will void the warranty.**

NOTE: The important safety precautions and instructions appearing in the manual are not meant to cover all possible conditions and situations that may occur. It must be understood that common sense and caution are necessary factors in the installation and operation of this fan.

3. Installation Preparation.

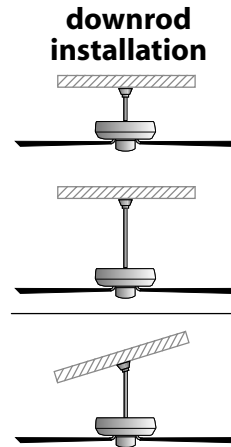
To prevent personal injury and damage, ensure that the hanging location allows the blades a clearance of 9 feet (2.74m) from the floor and 30in. (76cm) from any wall or obstruction. This fan is suitable for room sizes up to 400 square feet (37.2 square meters).



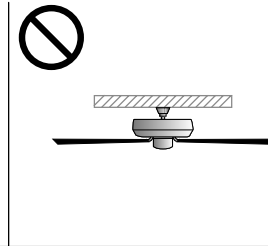
This fan can be mounted with a **downrod** on a regular (no-slope) or vaulted ceiling. The hanging length can be extended by purchasing a longer downrod (0.5in./1.27cm diameter). Other installation, such as **flushmount**, is not available for this fan.

Installation requires these tools:

Phillips screwdriver, flathead screwdriver, adjustable pliers or wrench, stepladder, wire cutters, and rated electrical tape



flushmount installation



Vaulted ceiling angle is not to exceed 25 degrees.

4. Hanging Bracket Installation.

Turn off circuit breakers to current fixture from breaker panel and be sure operating light switch is turned to the OFF position.

WARNING: Failure to disconnect power supply prior to installation may result in serious injury.

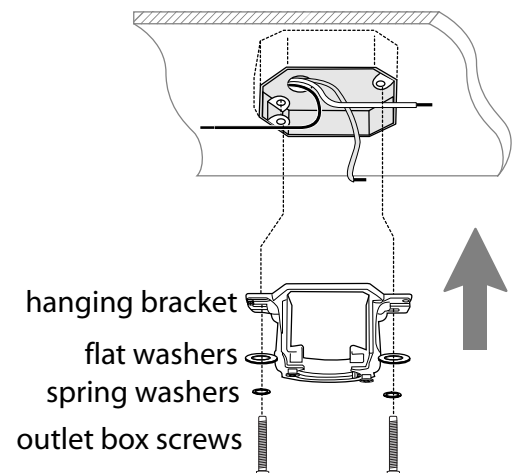
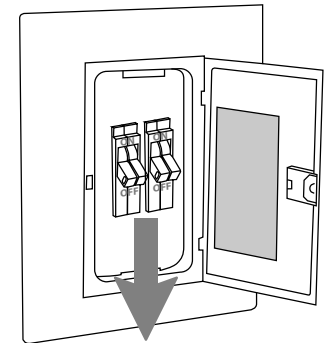
Remove existing fixture.

WARNING: When using an existing outlet box, be sure the outlet box is securely attached to the building structure and can support the full weight of the fan. Ensure outlet box is clearly marked "Suitable for Fan Support." If not, it must be replaced with an approved outlet box. Failure to do so can result in serious injury.

CAUTION: Be sure outlet box is grounded properly and that a ground wire (**GREEN** or bare) is present.

Install hanging bracket to outlet box, using original screws, spring washers and flat washers provided with new or original outlet box.* If installing on a vaulted ceiling, face opening of hanging bracket towards high point of ceiling. Arrange electrical wiring around the back of the hanging bracket and away from the bracket opening.

***Note:** It is very important that you use the proper hardware when installing the hanging bracket as this will support the fan.



5. Fan Assembly.

Locate 3 pairs of screws in top of motor housing--refer to *drawing at right*--and remove each of these screws. Locate one RED DOT on top of motor housing and one RED DOT on base at bottom of one the rods on the downrod support. **Align the red dots** and then attach downrod support with 6 screws that were just removed.

WARNING: Be sure to securely tighten each of the 6 screws in the downrod support as the downrod support is what will support the fan once the fan has been installed.

Connect plug from downrod support to plug from motor housing. Be sure plugs connect completely.

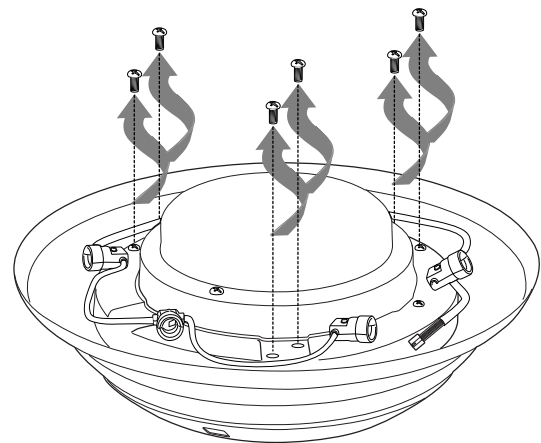
Install the 6 candelabra base bulbs provided into sockets located in top of motor housing.

If you wish to extend the hanging length of your fan, you must remove the hanging ball from the 4½in. downrod provided to use with an extended downrod (sold separately). [If you wish to use the 4½in. downrod, please proceed to instructions on the following page.]

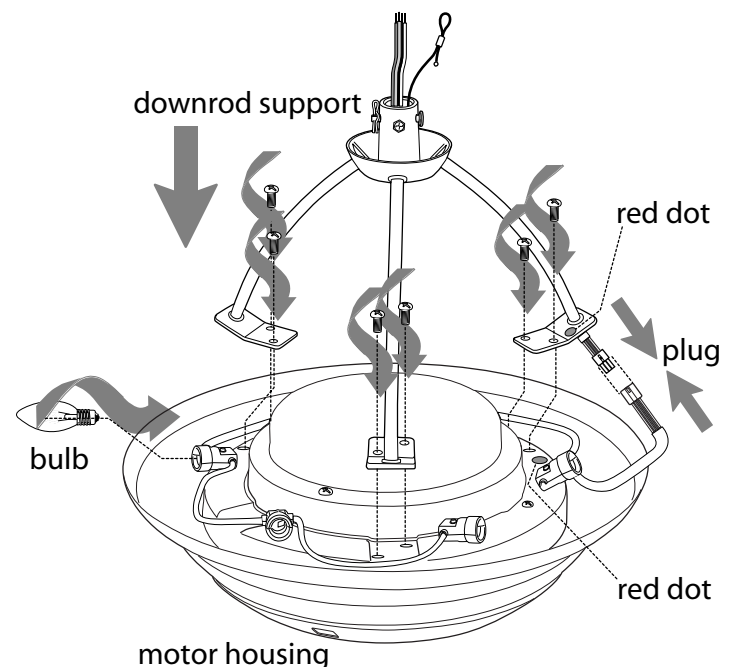
To remove hanging ball, loosen set screw on hanging ball, lower hanging ball and remove stop pin. Slide hanging ball off the original downrod, A, and slide it down the longer downrod, B (the top of the downrod should be noted as having a set screw hole; use this hole when setting the set screw). Insert stop pin into top of extended downrod and raise hanging ball. Be sure stop pin aligns with slots on the inside of the hanging ball. Tighten set screw securely.

["Fan Assembly" continued on next page.]

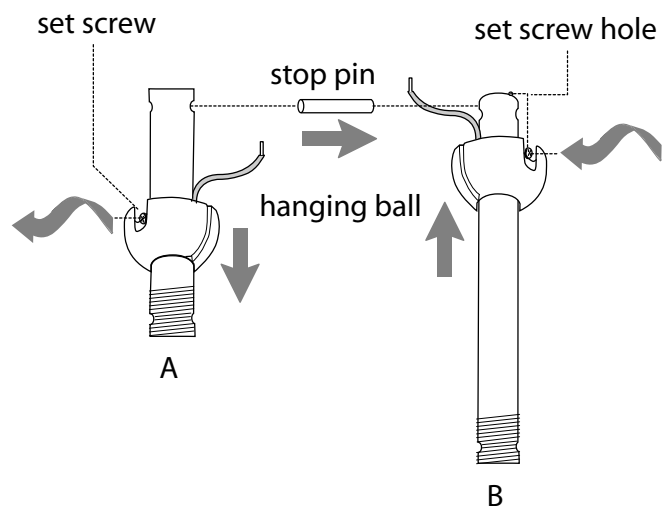
NOTE: The important safety precautions and instructions appearing in the manual are not meant to cover all possible conditions and situations that may occur. It must be understood that common sense and caution are necessary factors in the installation and operation of this fan.



motor housing



motor housing



5. Fan Assembly. (cont.)

Tip: To prepare for threading electrical wires through downrod, apply a small piece of electrical tape to the ends of the electrical wires--this will keep the wires together when threading them through the downrod.

Locate canopy cover in hardware pack. Loosen yoke set screws and nuts at top of downrod support and then remove pin and clip from yoke at top of downrod support. Slide downrod through canopy, canopy cover and yoke cover. **[Note:** Canopy cover must be turned with shiny side *toward* the motor.]

Thread electrical wires and safety cable through downrod and pull extra wire slack from the upper end of the downrod.

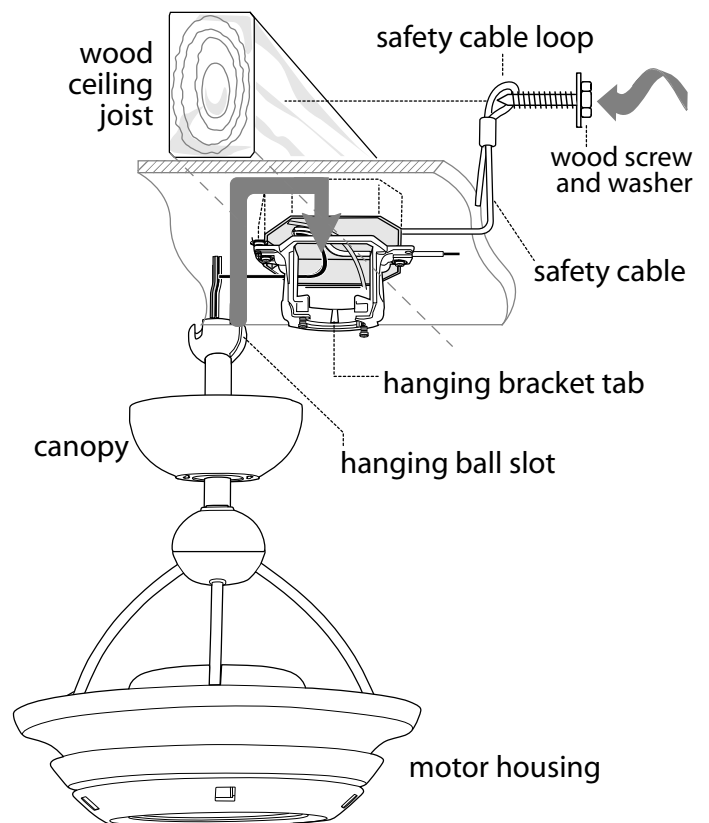
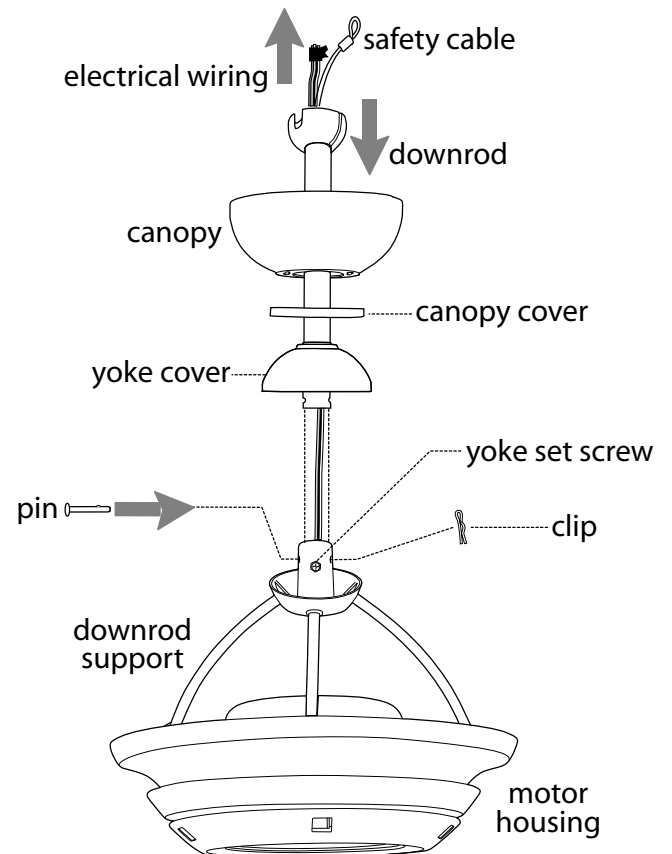
Thread downrod into top of downrod support until holes for pin and clip in downrod align with holes in yoke--*make sure wires do not get twisted*. Securely tighten yoke set screws and nuts. Lower yoke cover to downrod support.

With the hanging bracket secured to the outlet box and able to support the fan, you are now ready to hang your fan. Grab the fan firmly with two hands. Slide downrod through opening in hanging bracket and let hanging ball rest on the hanging bracket. Turn the hanging ball slot until it lines up with the hanging bracket tab.

WARNING: Failure to align slot in hanging ball with tab in hanging bracket may result in serious injury or death.

Tip: Seek the help of another person to hold the stepladder in place and to help lift the fan up to you once you are set on the ladder.

Find a secure attachment point (wood ceiling joist highly recommended) and secure safety cable. It will be necessary to use a heavy duty wood screw, washer and lock washer (not supplied) with the safety cable loop. If necessary, adjust the loop at the end of the safety cable. The loop at the end of the safety cable should just fit over the threads on the wood screw. Extra cable slack can be left in ceiling area.



6. Wiring.

CAUTION: Be sure outlet box is properly grounded and that a ground (**GREEN** or Bare) wire is present.

Make sure all electrical connections comply with Local Codes or Ordinances and the National Electrical Code. If you are unfamiliar with electrical wiring or if the house/building wires are different colors than those referred to in the instructions, please use a qualified electrician.

Note: Excess lead wire length from the fan can be cut to the desired length and then stripped.

When downrod is secured in place on the hanging bracket, electrical wiring can be made as follows:

Connect **BLACK** wire from fan to **BLACK** wire from ceiling with wire connector provided.

Connect **WHITE** wire from fan to **WHITE** wire from ceiling with wire connector provided.

Connect all **GROUND (GREEN)** wires together from fan to **BARE/GREEN** wire from ceiling with wire connector provided.

* Wrap each wire connector separately with electrical tape as an extra safety measure.

IN ORDER TO WIRE WALL CONTROL, remove existing wall switch. **Wire the WALL CONTROL** with wire connectors provided as shown in diagram at right.

* Wrap each wire connector separately with electrical tape as an extra safety measure. Gently push wires and taped wire connectors into outlet box.

Use a ballpoint pen or a small screwdriver to set the code switches 1 through 4 on the wall control. Factory setting is pre-set and not recommended for use. **Write down number sequence for use in Section 10.**

Note: Since this fan comes with candelabra base and halogen bulbs, the dimmer switch (labeled **D** and **X**) has been pre-set to the "ON" position (**D**). If you do not wish to have dimming capability, please move the switch to the "OFF" position (**X**).

Install one 12-volt battery (included) in wall control. Attach wall control to outlet box and secure with screws from original wall switch. Attach front plate to wall control using 2 screws provided with the wall control.

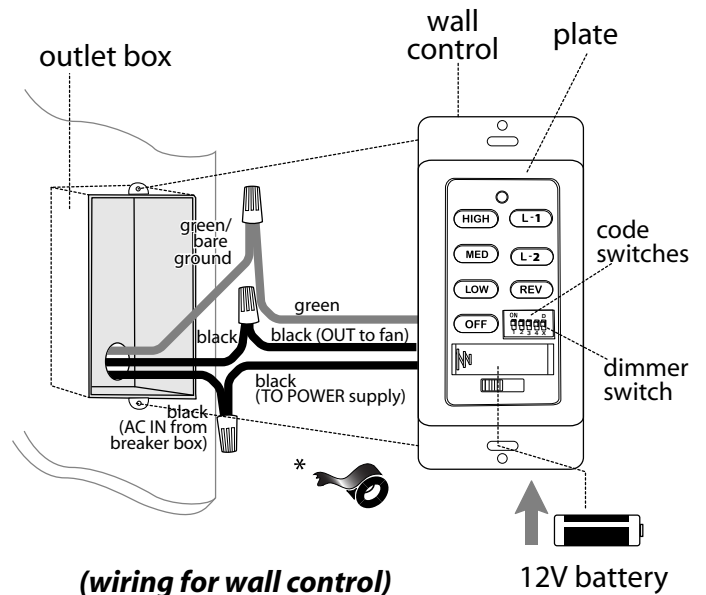
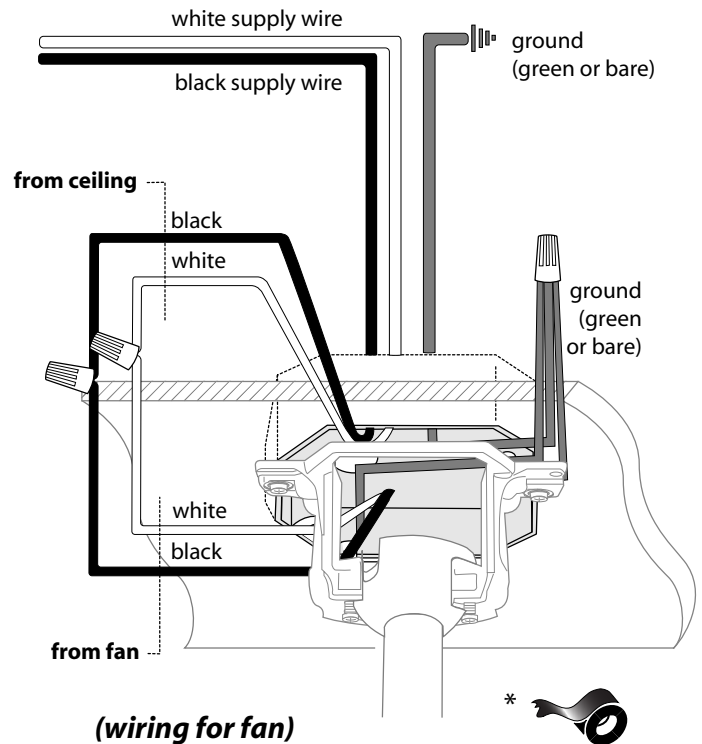
Important: Wall control will not function unless battery is installed.

Modifications not approved by the party responsible for compliance could void the user's authority to operate the equipment.

*NOTE: This equipment has been tested and found to comply with the limits for a Class B digital device, pursuant to Part 15 of the FCC Rules. These limits are designed to provide reasonable protection against harmful interference in a residential installation. This equipment generates, uses and can radiate radio frequency energy and, if not installed and used in accordance with the instructions, may cause harmful interference to radio communications. However, there is no guarantee that interference will not occur in a particular installation. If this equipment does cause harmful interference to radio or television reception, which can be determined by turning the equipment off and on, the user is encouraged to try to correct the interference by one or more of the following measures:

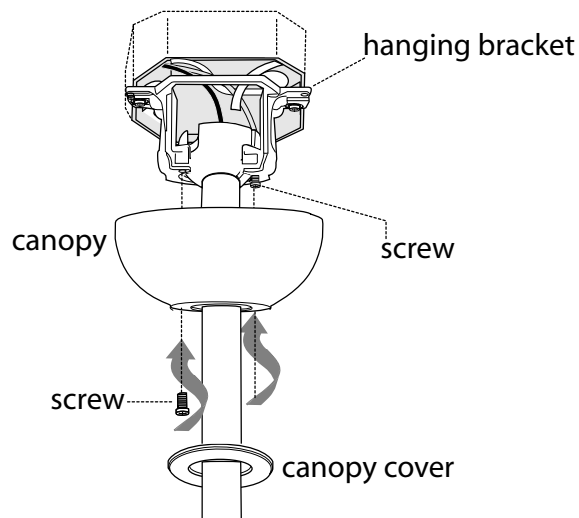
- * Reorient or relocate the receiving antenna.
- * Increase the separation between the equipment and receiver.
- * Connect the equipment into an outlet on a circuit different from that to which the receiver is connected.

Consult the dealer or an experienced radio/TV technician for help.



7. Canopy Assembly.

Locate 2 screws on underside of hanging bracket and remove screw closest to the open end of the hanging bracket. Partially loosen the other screw. Lift canopy to hanging bracket. Place rounded part of slotted hole in canopy over loosened screw in hanging bracket and push up. Twist canopy to lock. Re-insert screw that was removed and then tighten both screws securely. Slide canopy cover up to canopy, aligning rounded part of slotted holes in canopy cover with screwheads in bottom of canopy. Turn canopy cover to the right (clockwise) until it stops.



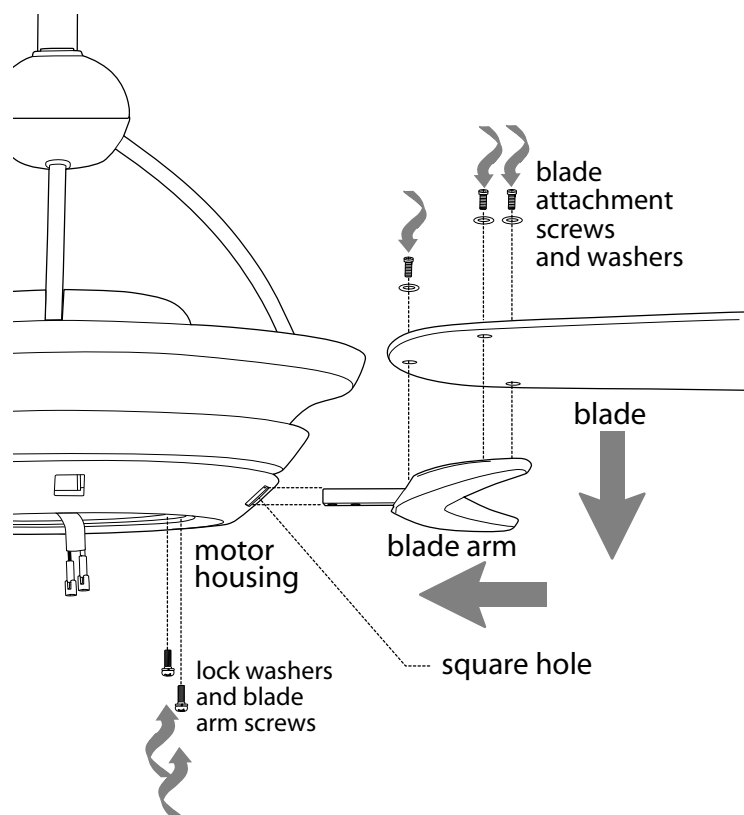
8. Blade Assembly.

Time Saver: Washers for blade screws can be set on each blade screw prior to installing blades.

Locate 15 blade attachment screws and washers in one of the hardware packs. Hold blade arm up to blade and align holes. Insert 3 blade attachment screws (along with washers) with fingers first and then tighten screws securely with a Phillips screwdriver. Repeat for the remaining blades.

Locate 10 blade arm screws and lock washers in hardware pack. Slide a blade arm into one of the square holes in the side of the motor housing, making sure to align the blade arm holes with the motor screw holes, and then attach blade arm with lock washers and blade arm screws. Before securing screws permanently, repeat this procedure with remaining blade arms. Secure all screws.

Note: Tighten blade arm screws twice a year.



9. Light Kit Assembly (Optional).

Remove 1 screw from motor plate on underside of motor housing and partially loosen the other 2 screws. Align slotted holes in fitter plate with loosened screws in motor plate, allowing moxex connections from motor housing to come through hole in middle of fitter plate. Twist fitter plate to lock. Re-insert screw that was previously removed and securely tighten all 3 screws with Phillips screwdriver.

If you wish to USE the light kit, partially loosen the 3 screws on the posts located on underside of fitter plate.

Connect **WHITE** wire from motor housing to **WHITE** wire from light kit fitter. Connect **BLACK** (or **BLUE**) wire from motor housing to **BLACK** wire from light kit fitter. Be sure moxex connections snap together securely.

Align slotted holes in light kit fitter with loosened screws in fitter plate. Twist light kit fitter to lock. Tighten all 3 screws securely.

Install one 75 watt max. halogen bulb, type JD E11 (included).

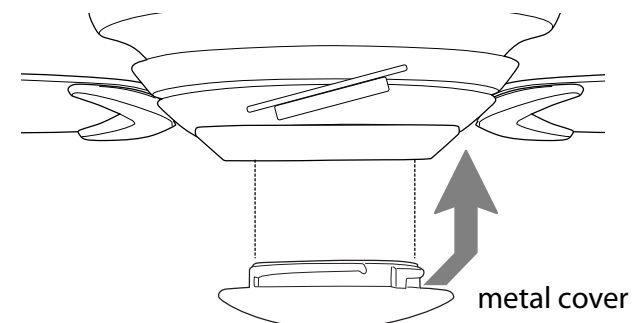
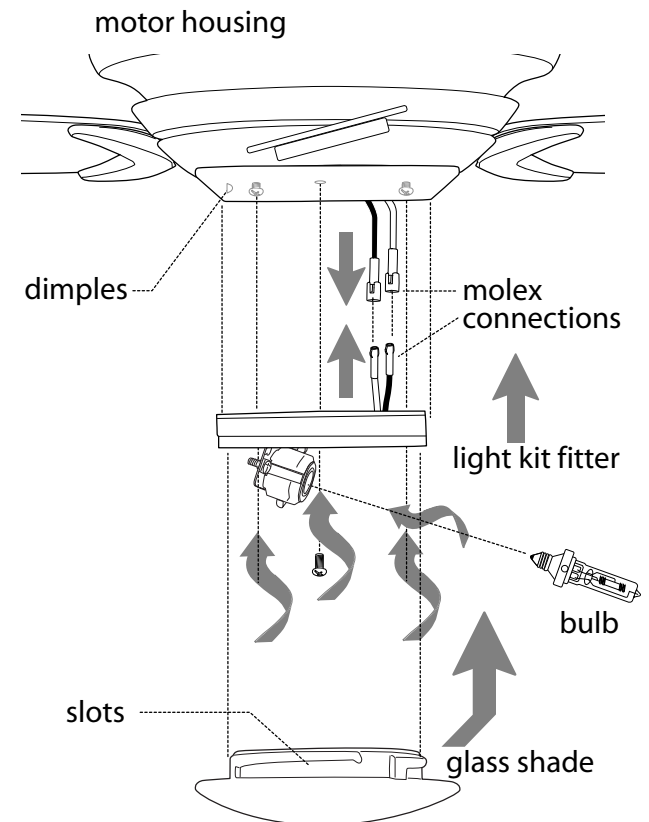
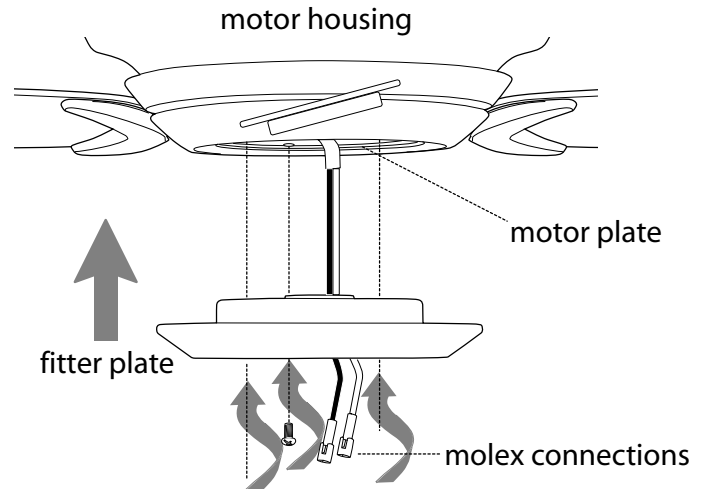
Tip: Do not touch glass portion of bulb with fingers or hands. Oil from skin can cause bulb to overheat and go out prematurely. Use cardboard box or foam wrapping bulb was packed with to layer around glass portion of bulb.

Locate slots on glass shade and align with dimples inside fitter plate. Gently push up on glass shade and turn to the RIGHT (clockwise) until it slides completely into place.

IMPORTANT: The glass shade must be removed* in order to replace the bulb. When you need to replace the bulb, please allow bulb and glass shade to cool down before touching. Keep in mind not to touch the bulb itself as described above (see "**Tip**" above)
*The use of rubber grip gloves are recommended in order to remove the glass shade.

If you do NOT wish to use the light kit, locate slots on metal cover and align with dimples inside fitter plate. Gently push up on metal cover and turn to the RIGHT (clockwise) until it slides completely into place.

CAUTION: Do **not** install the light kit fitter or the bulb if you do NOT wish to use the light kit.



10. Automated Learning Process./ Activating Code.

CAUTION: The remote control transmitter can be programmed to multiple receivers or fans. If this is not desired, turn wall switch off to any other programmable receiver or fan.

This remote control transmitter is equipped with 16 code combinations to prevent possible interference from or to other remote units such as garage door openers, car alarms or security systems. If you find that your fan and light go on and off without using your remote control, simply change the combination code in your remote control transmitter (and wall control). **To set the code, perform these steps:**

Remove battery cover from back side of transmitter.

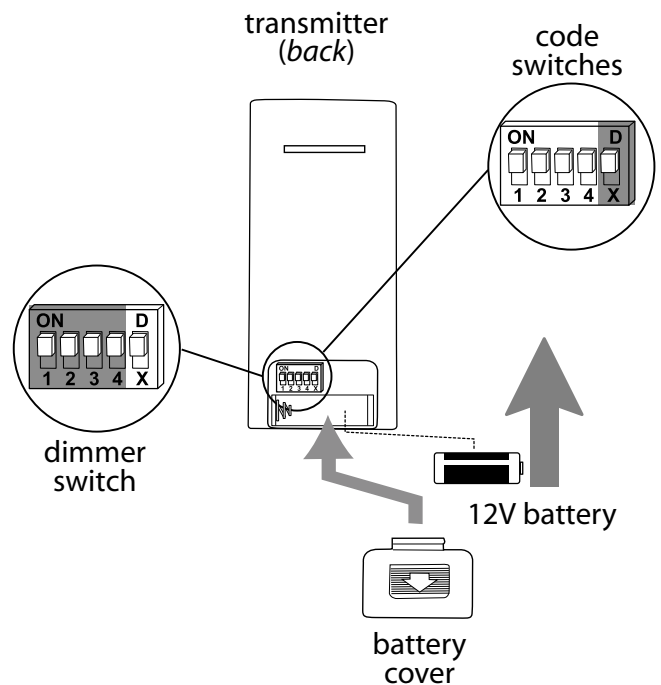
Use a ballpoint pen or a small screwdriver to set the code switches 1 through 4 for the transmitter. **Use the same number sequence used when wiring the wall control in Section 6 (page 6).**

Note: The dimmer switch (labeled **D** and **X**) has been pre-set to the "ON" position (**D**). If you do not wish to have dimming capability, please move the switch to the "OFF" position (**X**).

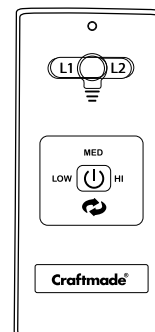
Install 12-volt battery (included) in transmitter and then re-attach the battery cover.

IMPORTANT: Store the transmitter away from excess heat or humidity. To prevent damage to transmitter, remove the battery if not used for long periods.

Restore electrical power and then set slider switch on wall control to the ON position. Within 30 seconds of turning on the wall control, press and hold the "OFF" button (⏻), located on the front of the transmitter, for 5 seconds or until lower light on fan blinks twice. Test the fan and light functions to confirm the learning process is complete--see Section 13.



transmitter (front)



11. Wall Control Operation.

ON/OFF slider switch - turns wall control ON or OFF

HIGH button - turns fan to HIGH speed

MED button - turns fan to MEDIUM speed

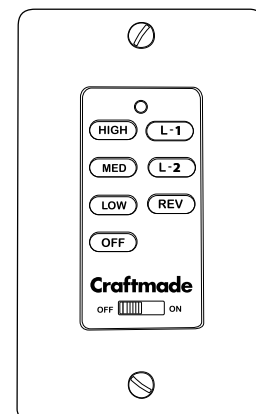
LOW button - turns fan to LOW speed

OFF button - turns fan OFF

L1 button - turns lower light ON/OFF when pressed once; dims lower light when pressed and held down

L2 button - turns upper light ON/OFF when pressed once; dims upper light when pressed and held down

REV button - used to REVERSE blade direction (fan must be set on low before reversing blade direction)





12. Remote Control Operation.

HI button - turns *fan* to HIGH speed

MED button - turns *fan* to MEDIUM speed

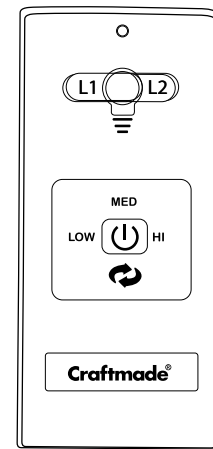
LOW button - turns *fan* to LOW speed

 button - used to REVERSE blade direction (fan must be set on *low* **before** reversing blade direction)

 button - turns *fan* OFF

L1 button - turns *lower light* ON/OFF when pressed once; dims *lower light* when pressed and held down

L2 button - turns *upper light* ON/OFF when pressed once; dims *upper light* when pressed and held down

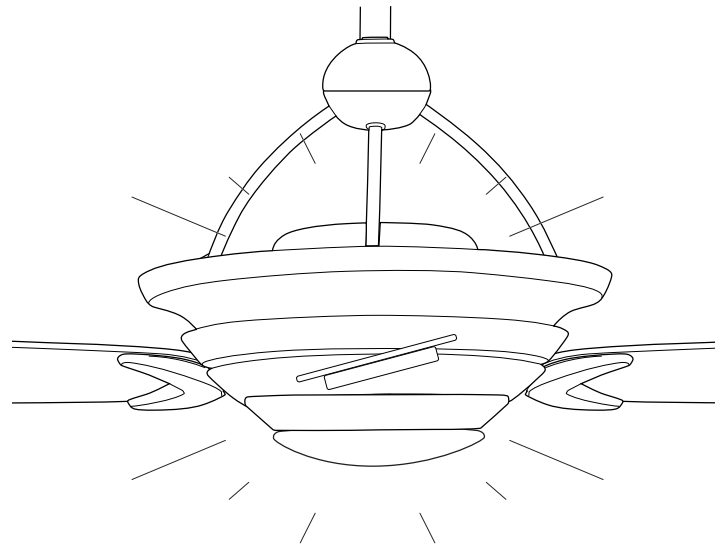


13. Testing Your Fan.

It is recommended that you test fan before finalizing installation. Locate ON/OFF slider switch on wall control and set to the ON position. Test light and dimmer functions with the L1 and L2 light buttons and then test fan speeds with different fan speed control buttons on the wall control. Next, locate remote control transmitter. Test fan speeds with the different fan speed buttons on remote control. Test the light ON/OFF function with the L1 button on the remote control; repeat with the L2 button. Test dimmer function by holding down the L1 button for more than 2 seconds; repeat with the L2 button. If the remote control operates all of the functions of the fan and light, battery has been installed correctly. If the wall and/or remote controls do (does) not operate all of the fan/light functions, please refer to "Troubleshooting" section to solve any issues.

Fan *must* be on LOW *before* setting the fan to reverse direction. Use "reverse" button to recirculate air depending on the season.

NOTE: If the remote control interferes with other appliances, change code switches on the transmitter (AND the wall control) to another code. If you do change the code, **turn power off first**, remove the battery cover, and, after setting the new code, go back to the instructions in the last paragraph of Section 10 (page 9).



Troubleshooting.

WARNING: Failure to disconnect power supply prior to troubleshooting any wiring issues may result in serious injury.

Problem: Fan fails to operate.

Solutions:

1. Check power to wall switch/wall control.
2. Verify that reverse switch is set completely in either direction.
3. Check to be sure code switches in remote control transmitter and wall control are set properly.
4. Verify that receiver is wired properly.
5. Verify that wall control is wired properly.
6. Check to be sure fan is wired properly.
7. Check that red light on remote control transmitter turns on when a button is pressed indicating that the battery is good.
8. Learning process between fan, remote control transmitter and wall control may not have been successful and code was not activated. Turn off power and repeat instructions in the last paragraph of Section 10 (page 9).

Problem: Light kit (optional) not lighting.

Solutions:

1. Check wall switch to fan.
2. Check that bulbs are installed correctly.
3. Check that wires in canopy are wired properly.
4. Check to be sure code switches are set properly in remote control transmitter and wall control.
5. Verify that molex connections in light kit fitter are connected properly.
6. Learning process between fan, remote control transmitter and wall control may not have been successful and code was not activated. Turn off power and repeat instructions in the last paragraph of Section 10 (page 9).
7. Check to be sure that bulbs total no more than 190W. [Note: Lamping light kit with bulbs that total more than 190W will cause the wattage limiting device to interrupt the flow of electricity to the light kit.]

Problem: Fan operates but light(s) fail(s) (if applicable).

Solutions:

1. Check that bulbs are installed correctly.
2. Check to be sure wires in canopy are wired properly.
3. Verify that molex connections in light kit fitter are connected properly.
4. Replace defective bulbs with same type of bulb.
5. Check to be sure that bulbs total no more than 190W. [Note: Lamping light kit with bulbs that total more than 190W will cause the wattage limiting device to interrupt the flow of electricity to the light kit.]

Problem: Fan and light fail to operate with remote control.

Solutions:

1. Check battery power to remote control.
2. Check to be sure code switches are set properly in remote control transmitter and wall control.
3. Learning process between fan, remote control transmitter and wall control may not have been successful and code was not activated. Turn off power and repeat instructions in the last paragraph of Section 10 (page 9).

Problem: Fan wobbles.

Solutions:

1. Use the balancing kit provided in one of the hardware packs. *If no blade balancing kit is provided, please call Customer Support, 1-800-486-4892, to request one.*
2. Check to be sure set screw(s) on motor housing yoke is (are) tightened securely.
3. Check to be sure set screw on hanging ball is tightened securely.

Warranty.

CRAFTMADE/ELLINGTON LIFETIME WARRANTY:

CRAFTMADE/ELLINGTON warrants this fan to the original household purchaser for indoor use under the following provisions:

1-YEAR WARRANTY: CRAFTMADE/ELLINGTON will replace or repair any fan which has faulty performance due to a defect in material or workmanship. Contact Craftmade/Ellington Customer Service at **1-800-486-4892** to arrange for return of fan. Return fan, shipping prepaid, to Craftmade/Ellington. We will repair or ship you a replacement fan, and we will pay the return shipping cost.

5-YEAR WARRANTY: CRAFTMADE/ELLINGTON will repair or replace at no charge to the original purchaser any fan motor that fails to operate satisfactorily when failure results from normal use.

RETURN FAN MOTOR ONLY, shipping prepaid, to Craftmade/Ellington. We will repair or ship purchaser a replacement motor and Craftmade/Ellington will pay the return shipping cost.

6-YEAR TO LIFETIME LIMITED WARRANTY:

CRAFTMADE/ELLINGTON will repair the fan, at no charge for labor only to the original purchaser, if the fan motor fails to operate satisfactorily when failure results from normal use. Parts used in the repair will be billed to the purchaser at prevailing prices at time of repair.

The purchaser shall be responsible for all costs incurred in the removal, reinstallation and shipping of the product for repairs.

This warranty does not apply when damage from mechanical, physical, electrical or water abuse results in causing the malfunction. Deterioration of finishes or other parts due to time or exposure to salt air is specifically exempted under this warranty.

Neither Craftmade/Ellington nor the manufacturer will assume any liability resulting from improper installation or use of this product. In no case shall the company be liable for any consequential damages for breach of this, or any other warranty expressed or implied whatsoever. This limitation as to consequential damages shall not apply in states where prohibited.

Parts Replacement.

For parts and information, please refer to "Parts Inventory" on page 2.

Craftmade/Ellington Customer Support:
1-800-486-4892

www.craftmade.com

Craftmade

CEILING FANS Est. 1985

Craftmade

CEILING FANS

Est. 1985

LEER ESTAS INSTRUCCIONES Y
GUARDARLAS PARA UTILIZACION FUTURA

El reglamento federal requiere que un ventilador de techo con juego de luz fabricado o importado después del 1^o de enero del 2009 limite el vatiaje total que consume el juego de luz a 190W. Por lo tanto, este ventilador tiene un aparato que sirve para limitar el vatiaje.



Guía de instalación

Para modelos:
VS60OB5
VS60SS5

Índice de materias:

- Sugerencias de seguridad. Pág. 1
- Desempaquetado del ventilador. Pág. 2
- Inventario de piezas. Pág. 2
- Preparación para la instalación. Pág. 3
- Instalación del soporte de montaje. Pág. 3
- Ensamblaje del ventilador. Págs. 4 - 5
- Instalación eléctrica. Pág. 6
- Colocación de la cubierta decorativa. Pág. 7
- Colocación de las aspas. Pág. 7
- Instalación del juego de luz (opcional). Pág. 8
- Proceso de aprendizaje automático/
El activar el código. Pág. 9
- Funcionamiento del control de pared. Pág. 9
- Funcionamiento del control remoto. Pág. 10
- Verificación del funcionamiento del
ventilador. Pág. 10
- Localización de fallas. Pág. 11
- Garantía. Pág. 11
- Piezas de repuesto. Pág. 11



peso neto del ventilador: 14,74 kg (32,5 lb)

IMPRESO EN CHINA

SUGERENCIAS DE SEGURIDAD.

ADVERTENCIA: Para evitar la posibilidad de una descarga eléctrica, desconectar la corriente en la caja de fusibles principal o el interruptor protector antes de iniciar la instalación del ventilador o antes de repararlo o instalar accesorios.

1. **LEER TODAS LAS INSTRUCCIONES E INFORMACION DE SEGURIDAD CUIDADOSAMENTE ANTES DE INSTALAR SU VENTILADOR Y GUARDAR ESTAS INSTRUCCIONES.**

PRECAUCION: Para reducir el riesgo de daño corporal, es posible que sea necesario usar guantes al manejar las piezas del ventilador que tengan bordes afilados.

2. Asegurarse de que todas las conexiones eléctricas cumplan con los Códigos o las Ordenanzas Locales, el Código Nacional Eléctrico y ANSI/NFPA 70-1999. Si usted no está familiarizado con el alambrado eléctrico o los cables de la casa/el edificio son de colores diferentes a los cuales se refieren en las instrucciones, favor de buscar un electricista calificado.
3. Asegurarse de que haya localizado una ubicación para su ventilador que permite el espacio necesario para la rotación de las aspas, y por lo menos 2,74 metros (9 pies) de espacio libre entre el piso y las puntas de las aspas. Debe instalar el ventilador para que las puntas de las aspas queden a una distancia de por lo menos 76 centímetros (30 pulgadas) de las paredes y otras estructuras verticales.
4. La caja de salida eléctrica debe estar bien sujeta a la viga de soporte del techo y deben ser capaces de sostener por lo menos 16 kilogramos (35 libras). La caja de salida debe tener apoyo directo de la estructura del edificio. Sólo usar cajas de salida registradas con CUL (Canadá) o UL (EEUU) que indican que "sirven para ventilador" ("FOR FAN SUPPORT" en inglés).

ADVERTENCIA: Para reducir el riesgo de incendio, descarga eléctrica o daño corporal, instalar en la caja de salida marcada "Aceptable para sostener ventilador de 15,9 kg (35 lb) o menos" ["Acceptable for Fan Support of 15.9 kg (35 lb) or less"] y utilizar los tornillos proporcionados con la caja de salida. La mayoría de las cajas de salida que normalmente se usan para sostener los aparatos de alumbrado no siempre son apropiadas para sostener ventiladores y es posible que las tenga que reemplazar. En caso de duda, consultar con un electricista calificado.

ADVERTENCIA: Para reducir el riesgo de incendio, descarga eléctrica o daño corporal, los conectores para cable provistos con este ventilador son diseñados para aceptar sólo un cable de calibre 12 de la casa y dos cables principales del ventilador. Si el calibre del cable de la casa es superior al 12 o hay más de un cable de la casa para conectar a los cables principales del ventilador al cual corresponda cada uno, consultar con un electricista para informarse sobre el tamaño correcto de conectores para cable que se debe usar.

5. Los diagramas eléctricos son únicamente para referencia. Los juegos de luz que no se incluyen con el ventilador deben tener el símbolo CUL (Canadá) o UL (EEUU) y también deben indicar que sirven para uso con este ventilador. Los interruptores deben ser interruptores de uso general CUL (Canadá) o UL (EEUU). Referirse a las instrucciones incluidas con el juego de luz y los interruptores para ensamblarlos correctamente.
6. Después de haber terminado la instalación, asegurarse de que todas las conexiones estén totalmente seguras.
7. Después de haber terminado todas las conexiones eléctricas, los conductores empalmados deben ser volteados para arriba y colocados cuidadosamente dentro de la caja de salida. Los alambres se deben de separar con el conductor a tierra a un lado y el conductor a tierra del equipo al lado opuesto.

ADVERTENCIA: Para reducir el riesgo de incendio o una descarga eléctrica, no usar el ventilador con ningún control de velocidad de estado sólido ni controlar la velocidad del ventilador con un interruptor con reductor de luz de gama completa. [El usar un interruptor con reductor de luz de gama completa para controlar la velocidad del ventilador causara un zumbido recio del ventilador.]

8. No utilizar el interruptor de reversa hasta que el ventilador se haya parado completamente. **[Nota:** Si se usa un control remoto con capacidad de reversa, cambiar la dirección de las aspas sólo cuando el ventilador esté en velocidad BAJA.]
9. No insertar ningún objeto entre las aspas mientras estén rotando.

ADVERTENCIA: Para reducir el riesgo de daño corporal, no doblar los brazos de las aspas durante el ensamblaje ni durante la instalación. No insertar objetos entre las aspas mientras estén rotando.

ADVERTENCIA: Para reducir el riesgo de daño corporal o algún daño al ventilador, tener cuidado al estar trabajando alrededor del ventilador o limpiándolo.

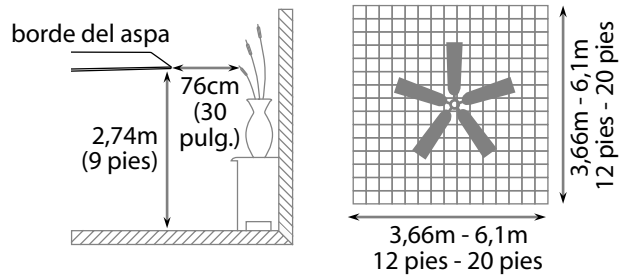
10. No utilizar agua ni detergentes para limpiar el ventilador ni las aspas. Usar un trapo seco o ligeramente húmedo para su limpieza general.

ADVERTENCIA: Para reducir el riesgo de daño corporal, usar **sólo** las piezas provistas con este ventilador. **Al usar piezas DISTINTAS a las provistas con este ventilador se invalidará la garantía.**

NOTA: No se debe concluir que las precauciones de seguridad importantes e instrucciones en este manual van a abarcar todas las condiciones y situaciones posibles que puedan ocurrir. Se debe entender que el sentido común y la precaución son factores necesarios en la instalación y la operación de este ventilador.

3. Preparación para la instalación.

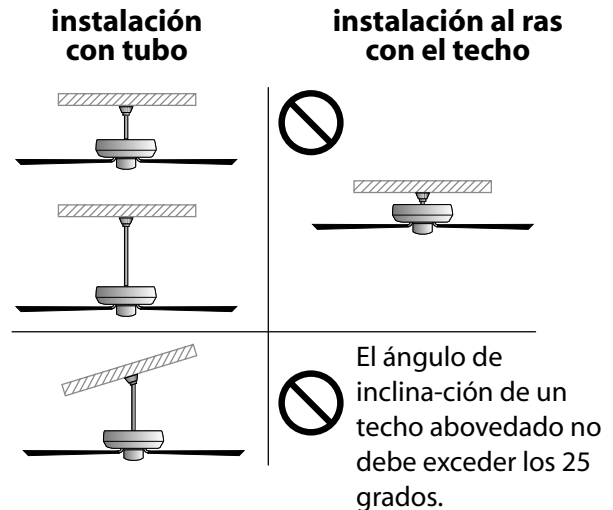
Para prevenir daño corporal y otros daños, estar seguro de que el lugar en donde va a colgar el ventilador le permite un espacio libre de 2,74m (9 pies) entre las puntas de las aspas y el piso y 76cm (30 pulg.) entre las aspas y cualquier pared u otra obstrucción. Este ventilador es adecuado para habitaciones hasta 37,2 metros cuadrados (400 pies cuadrados).



Se puede colgar este ventilador **con tubo** en un techo regular (sin inclinación) o abovedado. La longitud colgante se puede extender comprando un tubo más largo (con diámetro de 1,27cm/0,5 pulg.). No hay ningún otro tipo de instalación, como **al ras con el techo**, disponible para este ventilador.

Se necesitan las herramientas siguientes para la instalación:

Destornillador de estrella Phillips, destornillador de paleta (plano), alicates ajustables o llave de tuercas, escalera de tijera, cortaalambres y cinta aisladora



4. Instalación del soporte de montaje.

Apagar los cortacircuitos en el panel de electricidad que suplen corriente a la caja de salida y asegurarse de que el interruptor de luz esté APAGADO.

ADVERTENCIA: El no desconectar el suministro de fuerza antes de la instalación puede tener por resultado lesiones graves.

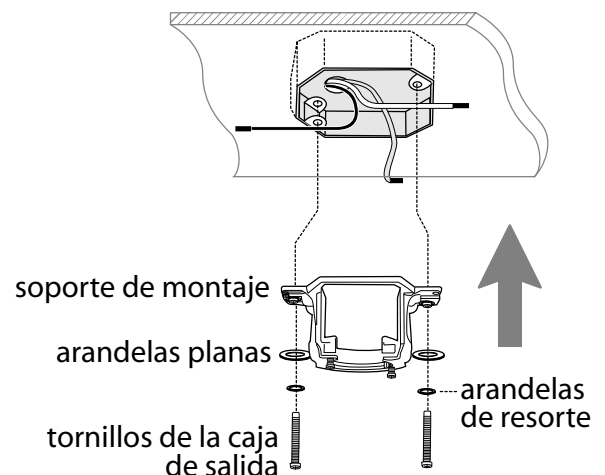
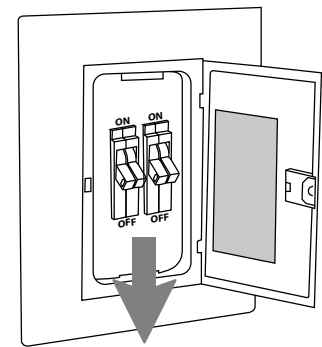
Quitar el aparato existente.

ADVERTENCIA: Si utiliza una caja de salida existente, asegurarse de que la caja de salida esté firmemente conectada a la estructura del edificio y que sea capaz de sostener el peso total del ventilador. Asegurarse de que la caja de salida indique claramente que "Sirve para ventilador" (FOR FAN SUPPORT); si no, se debe reemplazar con una caja de salida aprobada. El no hacer el cambio si es necesario puede resultar en lesiones graves.

PRECAUCION: Asegurarse de que la caja de salida esté conectada a tierra correctamente y que haya un conductor a tierra (**VERDE** o pelado).

Instalar el soporte de montaje utilizando los tornillos originales, las arandelas de resorte y las arandelas planas de su nueva o existente caja de salida.* Si hace la instalación en un techo abovedado, colocar el soporte de montaje con la abertura dirigida hacia la parte alta del techo. Arreglar el alambreado eléctrico (los cables) en la parte de atrás del soporte y lejos de la abertura del soporte.

***Nota:** Es muy importante usar los artículos de ferretería correctos al instalar el soporte de montaje puesto que sirve para sostener el ventilador.



5. Ensamblaje del ventilador.

Localizar 3 conjuntos de dos tornillos en la parte superior del bastidor del motor--referirse al diagrama al lado--y quitar cada uno de dichos tornillos. Localizar un PUNTO ROJO en la parte superior del bastidor del motor y un PUNTO ROJO en la base de una de las varillas del soporte del tubo. **Alinear los puntos rojos** y luego sujetar el soporte del tubo con los 6 tornillos que apenas se quitaron.

ADVERTENCIA: Asegurarse de apretar bien cada uno de los 6 tornillos en el soporte del tubo ya que el ventilador se apoyará en él una vez que se haya instalado el ventilador.

Conectar el enchufe del soporte del tubo al enchufe del bastidor del motor. Asegurarse de que se conecten bien los enchufes.

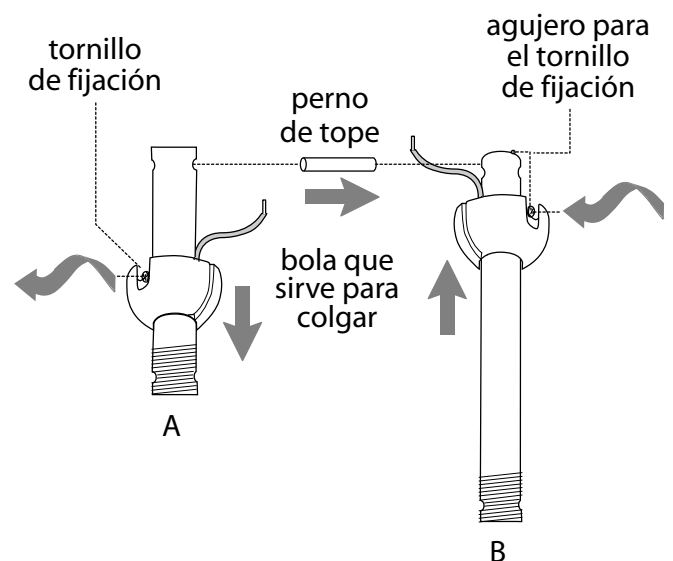
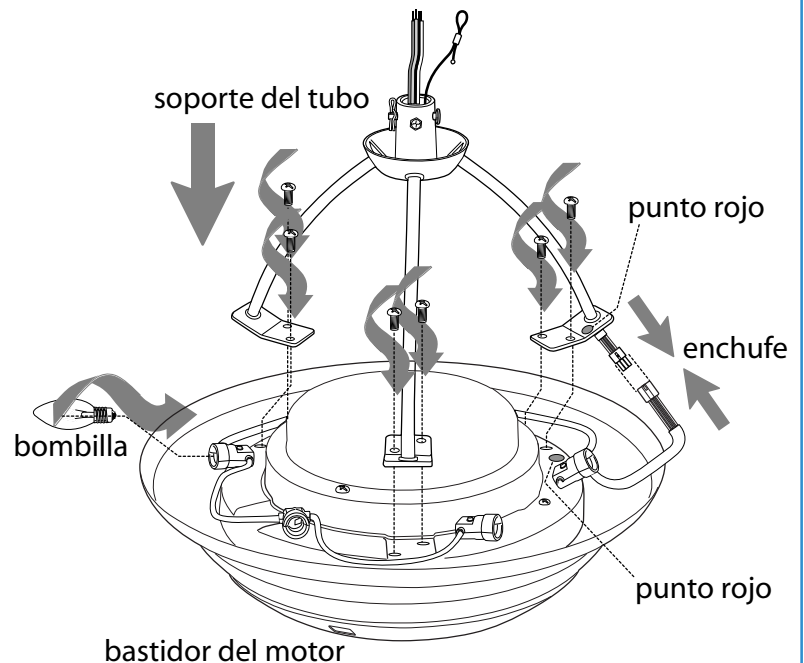
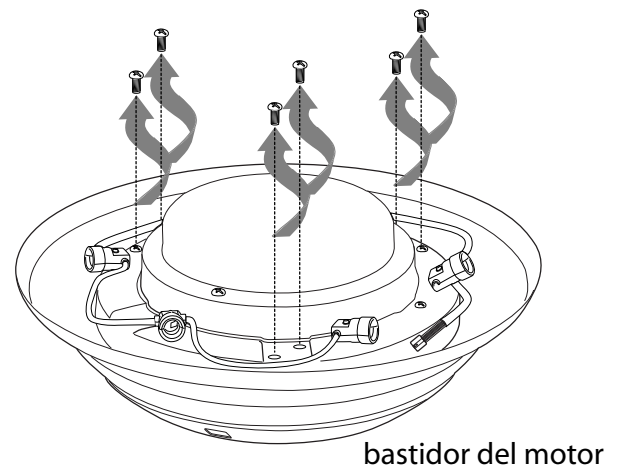
Instalar las 6 bombillas de base candelabro provistas en los casquillos que se encuentran en el bastidor del motor.

Si usted desea extender la longitud colgante del ventilador, usted tendrá que quitar la bola que sirve para colgar del tubo de 11,43cm provisto para usarla con un tubo más largo (a la venta por separado). [Si desea utilizar el tubo de 11,43cm, favor de pasar a las instrucciones en la página siguiente.]

Para quitar la bola que sirve para colgar, aflojar el tornillo de fijación de la bola que sirve para colgar, bajar la bola que sirve para colgar y sacar el perno de tope. Quitar la bola que sirve para colgar del tubo original, A, y deslizarla sobre el tubo más largo, B (la parte de arriba del tubo debe tener el agujero para el tornillo de fijación en ese extremo; usar ese agujero al colocar el tornillo de fijación). Introducir el perno de tope en la parte de arriba del tubo más largo y subir la bola que sirve para colgar. Asegurarse de que el perno de tope se ponga en línea con las ranuras dentro de la bola que sirve para colgar. Apretar bien el tornillo de fijación.

[El "Ensamblaje del ventilador" continúa en la página siguiente.]

NOTA: No se debe concluir que las precauciones de seguridad importantes e instrucciones en este manual van a abarcar todas las condiciones y situaciones posibles que puedan ocurrir. Se debe entender que el sentido común y la precaución son factores necesarios en la instalación y la operación de este ventilador.



5. Ensamblaje del ventilador. (cont.)

Sugerencia: Para preparar los cables para pasarlos por el tubo, poner un pedacito de cinta aisladora en la punta de los cables--esto mantendrá los cables juntos al pasarlos por el tubo.

Localizar la tapa de la cubierta decorativa en el paquete de artículos de ferretería. Aflojar los tornillos de fijación del cuello y las tuercas en el cuello del soporte del tubo y luego quitar el perno y la clavija del cuello del soporte del tubo. Pasar el tubo por la cubierta decorativa, la tapa de la cubierta decorativa y la cubierta del cuello. [Nota: Se tiene que voltear la tapa de la cubierta decorativa para que el lado brillante dé al motor.]

Pasar los cables del ventilador y el cable de seguridad a través del tubo y con cuidado jalar el cableado en exceso por la parte de arriba del tubo.

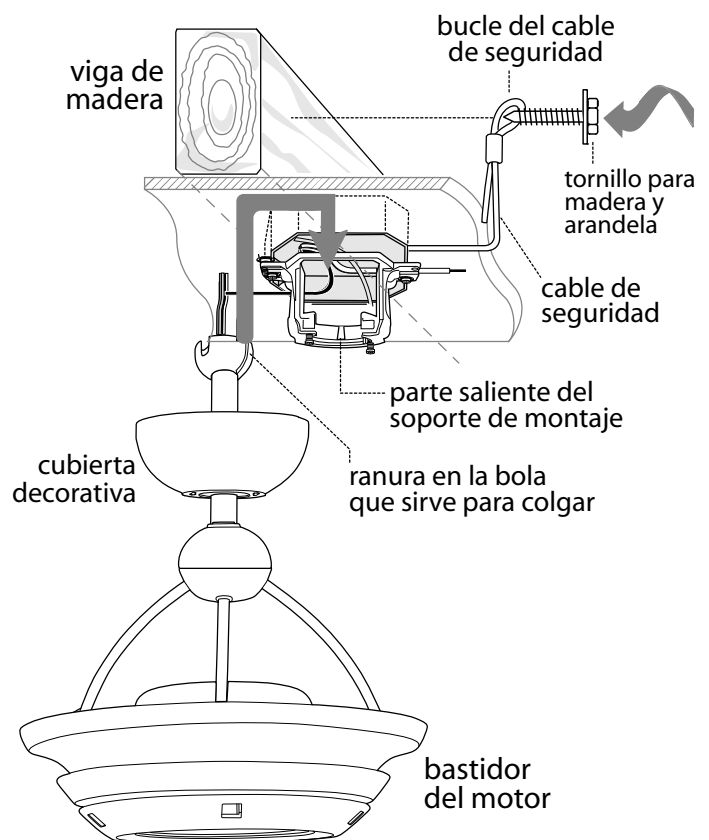
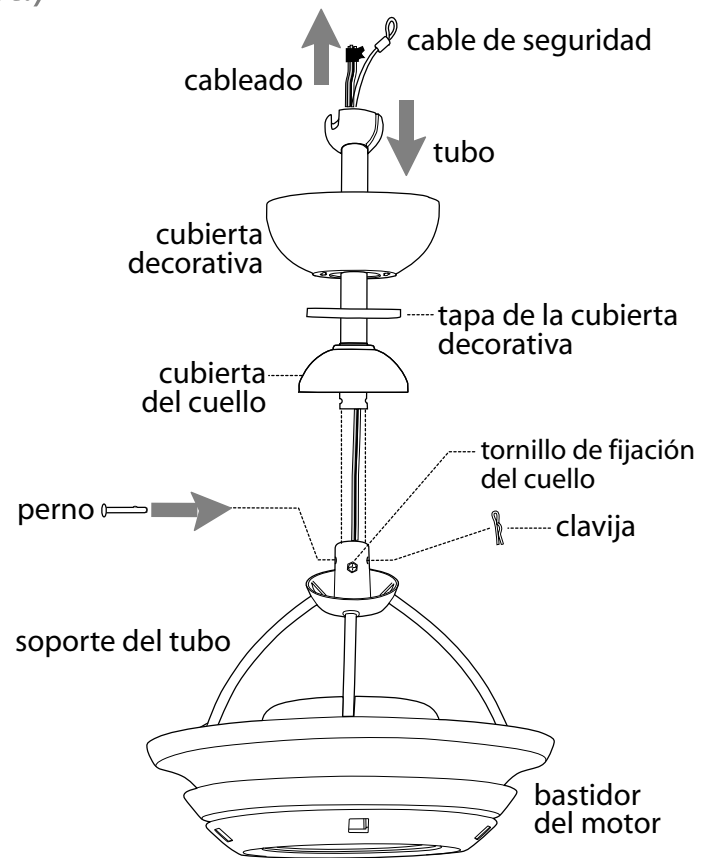
Enroskar el tubo en la parte superior del soporte del tubo hasta alinearse los agujeros para el perno y la clavija en el tubo con los de la parte superior del soporte del tubo--asegurarse de que no se tuerzan los cables. Apretar bien los tornillos de fijación del cuello y las tuercas. Bajar la cubierta del cuello hasta el soporte del tubo.

Ya que esté sujetado el soporte de montaje a la caja de salida y capaz de apoyar el ventilador, usted está listo para colgar el ventilador. Agarrar el ventilador firmemente con las dos manos. Deslizar el tubo por la abertura del soporte de montaje y dejar que se detenga la bola que sirve para colgar en el soporte de montaje. Girar la bola que sirve para colgar hasta que la ranura de la bola que sirve para colgar se alinee con la parte saliente del soporte de montaje.

ADVERTENCIA: El no alinear la ranura en la bola que sirve para colgar con la parte saliente del soporte de montaje puede causar lesiones graves o la muerte.

Sugerencia: Solicitar ayuda de otra persona para mantener sujeto la escalera y para que le suba el ventilador cuando usted ya esté preparado en la escalera para colgarlo.

Encontrar un punto de acoplamiento seguro (se recomienda la viga de madera en el techo) y asegurar el cable de seguridad. Utilizar tornillo para madera para trabajos pesados, arandela y arandela de seguridad (no provistos) en el bucle del cable de seguridad. Si es necesario, ajuste el bucle en el extremo del cable de seguridad. El bucle en el extremo del cable de seguridad debe ser de tal tamaño que pase justo sobre la punta de la parte roscada del tornillo para madera. Se puede poner el cable en exceso en el área del techo.



6. Instalación eléctrica.

PRECAUCION: Asegurarse de que la caja de salida esté conectada a tierra como es debido y que exista un conductor a tierra (**VERDE** o pelado).

Asegurarse de que toda conexión eléctrica cumpla con los Códigos o las Ordenanzas Locales y el Código Nacional Eléctrico. Si usted no está familiarizado con la instalación eléctrica o los cables de la casa/el edificio son de colores diferentes a los cuales se refieren a continuación, favor de buscar un electricista calificado.

Nota: Si la longitud del alambrado que sale del ventilador es demasiado, se puede cortarlo al largo deseado y luego pelarlo.

Una vez que el ventilador esté bien sujeto en el soporte de montaje, se puede hacer la instalación eléctrica como sigue:

Conectar los cables **NEGRO** del ventilador al cable **NEGRO** del techo con un conector para cable provisto.
Conectar el cable **BLANCO** del ventilador al cable **BLANCO** del techo con un conector para cable provisto.
Conectar todos los conductores a **TIERRA (VERDES)** del ventilador a los **PELADOS/VERDES** del techo con un conector para cable provisto.

* Como una medida de seguridad adicional, envolver cada conector para cable por separado con cinta aisladora.

PARA HACER LA INSTALACION ELECTRICA DEL CONTROL DE PARED, quitar el interruptor de pared existente.
Alambrar el CONTROL DE PARED con los conectores para cable provistos *así como se muestra en el diagrama al lado.*

* Como una medida de seguridad adicional, envolver cada conector para cable con cinta aisladora.
Delicadamente meter los cables y los conectores para cable que tienen cinta dentro de la caja de salida.

Usar un bolígrafo o un destornillador pequeño para programar los conmutadores de las unidades de control remoto 1 a 4 en el control de pared. Viene de la fábrica en una posición predeterminada y no se recomienda usarla. **Anotar la secuencia numérica para usarla en la sección 10.**

Nota: Ya que este ventilador viene con bombillas de base candelabro y una bombilla halógena, el interruptor del reductor de luz (etiquetado **D** y **X**) está programado de antemano en posición "ENCENDIDO" (**D**). Si no desea tener la capacidad de bajar las luces, favor de mover el interruptor a la posición "APAGADO" (**X**).

Instalar 1 batería de 12 voltios (incluida) en el control de pared. Sujetar el control de pared a la caja de salida y asegurarlo con los tornillos del interruptor de pared original. Sujetar la placa delantera al control de pared usando los 2 tornillos provistos con el control de pared.

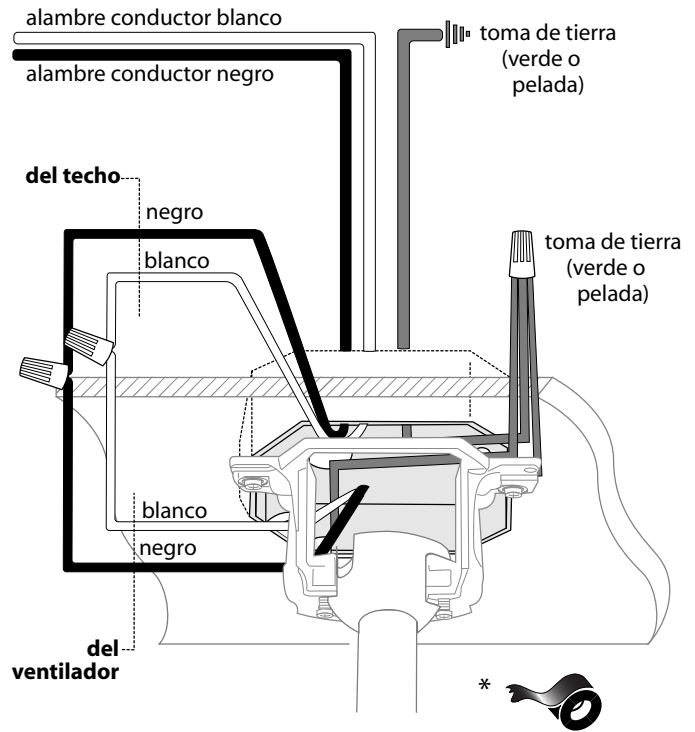
Importante: El control de pared no funcionará sin que se instale la batería.

Las modificaciones no aprobadas por la parte responsable de la conformidad podrían invalidar la autorización del usuario para manejar el equipo.

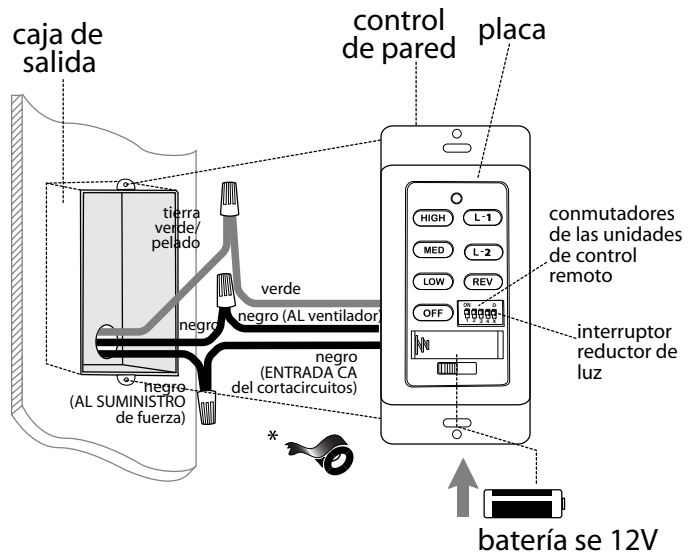
*NOTA: Se han hecho pruebas en este equipo y se ha comprobado que cumple con los límites para un aparato digital de clase B, de acuerdo con la Parte 15 de las Reglas de la FCC. Se concibieron estos límites para proveer protección razonable contra la interferencia adversa en una instalación residencial. Este equipo produce, usa y puede radiar energía de radiofrecuencia y, si no se instala y no se usa según las instrucciones, puede causar interferencia adversa en la radiocomunicación. Sin embargo, no hay ninguna garantía de que no habrá interferencia en una instalación en particular. Si este equipo sí causa interferencia adversa en la recepción de radio o televisión, que se puede determinar apagando y prendiendo el equipo, se le urge al usuario a intentar rectificar la interferencia tomando una o más de las medidas que siguen:

- * Orientar la antena de nuevo o localizarla en otro sitio.
- * Aumentar la separación entre el equipo y el receptor.
- * Conectar el equipo a un tomacorriente en un circuito distinto al cual está conectado el receptor.

Solicitar ayuda del distribuidor o un técnico de radio/televisión.



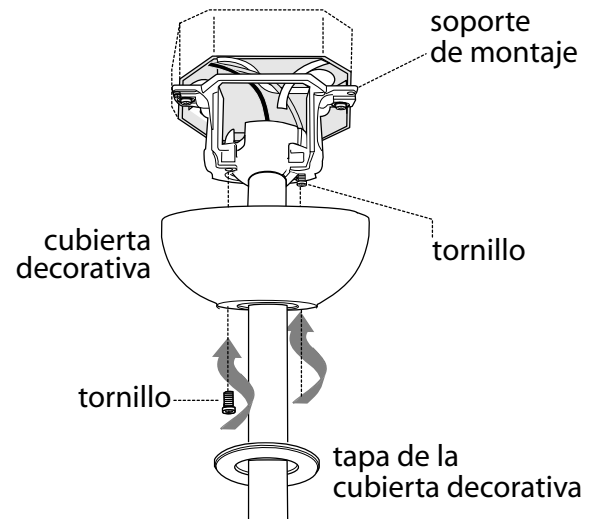
(cableado para el ventilador)



(cableado para el control de pared)

7. Colocación de la cubierta decorativa.

Localizar los 2 tornillos en la parte inferior del soporte de montaje y quitar el tornillo que está localizado más cerca del extremo abierto del soporte de montaje. Aflojar parcialmente el otro tornillo. Elevar la cubierta decorativa hasta el soporte de montaje. Poner la parte redondeada del agujero con ranura en la cubierta decorativa encima del tornillo aflojado en el soporte de montaje y empujar hacia arriba. Girar la cubierta decorativa para cerrarla. Volver a introducir el tornillo que se quitó, y luego apretar bien ambos tornillos. Subir la tapa de la cubierta decorativa hasta la cubierta decorativa, alineando la parte redondeada de los agujeros con ranura en la tapa de la cubierta decorativa con las cabezas de tornillo en el fondo de la cubierta decorativa. Girar la tapa de la cubierta decorativa a la derecha (en el sentido de las agujas del reloj) hasta que ya no gire.



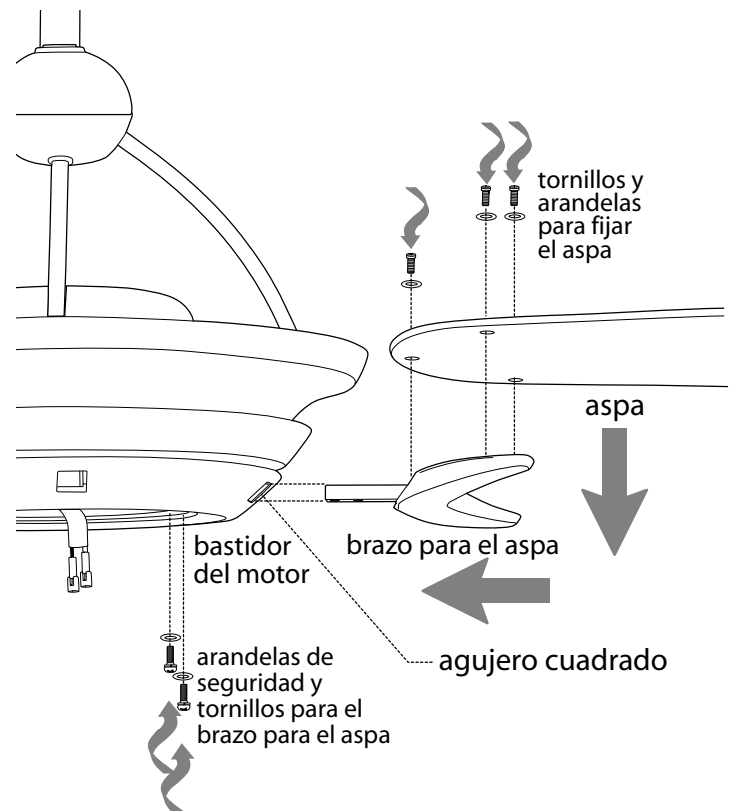
8. Colocación de las aspas.

Para ahorrar tiempo: Se pueden poner las arandelas en los tornillos que son para las aspas antes de colocar las aspas.

Localizar 15 tornillos y arandelas para fijar las aspas en uno de los paquetes de artículos de ferretería. Agarrar uno de los brazos para las aspas y juntarlo con una de las aspas para alinear los agujeros. Introducir 3 tornillos para fijar las aspas (junto con las arandelas) con los dedos primero y luego apretarlos bien con un destornillador de estrella Phillips. Repetir el procedimiento con las demás aspas.

Localizar los 10 tornillos para los brazos para el aspa y las arandelas de seguridad en un paquete de artículos de ferretería. Meter un brazo para el aspa dentro de uno de los agujeros cuadrados en el costado del bastidor del motor, asegurándose de alinear los agujeros en el brazo para el aspa con los agujeros para los tornillos del motor, y luego sujetar el brazo para el aspa con las arandelas de seguridad y los tornillos para el brazo para el aspa. Antes de apretar los tornillos bien, repetir el mismo procedimiento con los demás brazos para las aspas. Apretar bien todos los tornillos.

Nota: Apretar los tornillos para los brazos para las aspas dos veces al año.



9. Instalación del juego de luz. (opcional)

Quitar 1 tornillo de la placa del motor en el lado inferior del motor y parcialmente aflojar los otros 2 tornillos. Alinear los agujeros con ranura en la placa de conexión con los tornillos aflojados en la placa del motor, dejando que las conexiones tipo "molex" del bastidor del motor pasen por el agujero de en medio de la placa de conexión. Girar la placa de conexión para cerrarla. Volver a introducir el tornillo que se quitó anteriormente y apretar bien los 3 tornillos con destornillador de estrella Phillips.

Si desea UTILIZAR el juego de luz, parcialmente aflojar los 3 tornillos en los postes que se encuentran en la parte inferior de la placa de conexión.

Conectar el cable **BLANCO** del conector para el juego de luz al cable **BLANCO** del bastidor del motor. Conectar el cable **NEGRO** del conector para el juego de luz al cable **NEGRO** (o **AZUL**) del bastidor del motor. Asegurarse de que las conexiones tipo "molex" se cierren bien con un clic.

Alinear los agujeros con ranura en el conector para el juego de luz con los tornillos aflojados en la placa de conexión. Girar el conector para el juego de luz para cerrarlo. Apretar bien los 3 tornillos.

Instalar 1 bombilla halógena de 75 vatios máx., tipo JD E11 (incluida).

Sugerencia: No tocar la parte de vidrio de la bombilla con los dedos ni con las manos. Es posible que la bombilla se caliente demasiado debido al aceite en la piel y luego que se funda antes de tiempo. Usar la caja de cartón o la envoltura en la cual se empacó la bombilla para manipular la parte vidrio de la bombilla.

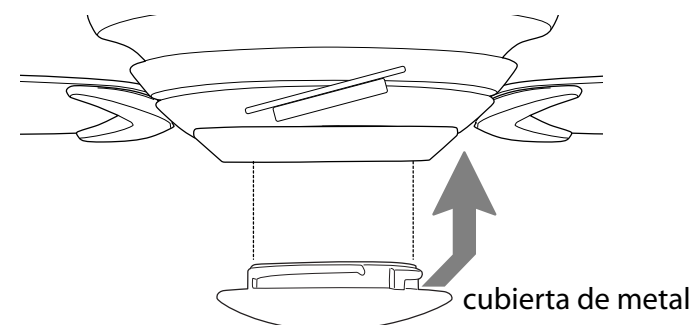
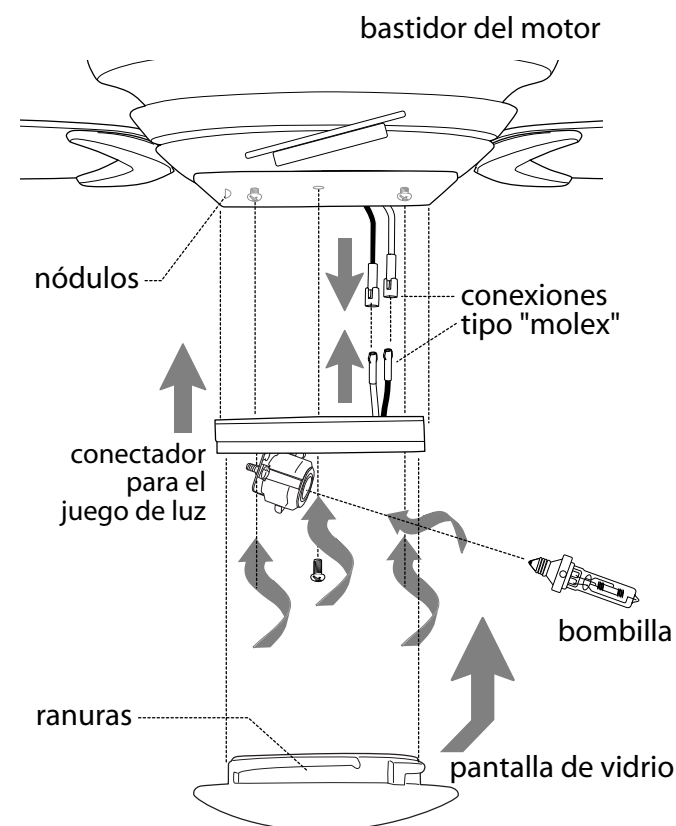
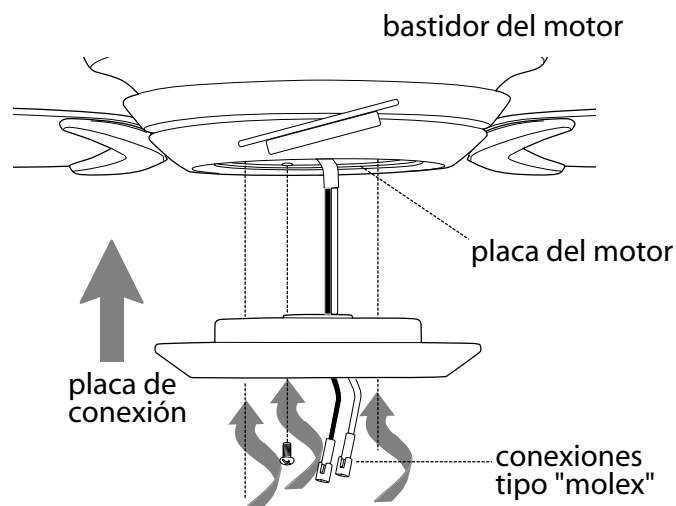
Alinear las ranuras en la pantalla de vidrio con los nódulos dentro del conector para el juego de luz. Empujar la pantalla de vidrio suavemente hacia arriba y girar la pantalla de vidrio hacia la DERECHA (en sentido de las agujas del reloj) hasta que se quede encajada.

IMPORTANTE: Es necesario quitar* la pantalla de vidrio para reemplazar la bombilla. Cuando necesite reemplazar la bombilla, favor de dejar que se enfríen la bombilla y la pantalla de vidrio antes de tocarlas. Recordarse de no tocar la bombilla misma como se describe más arriba (ver "**Sugerencia**").

*Se le recomienda usar guantes de hule (o que tengan hule en los dedos de los guantes) para quitar la pantalla de vidrio.

Si NO desea utilizar el juego de luz, localizar las ranuras en la cubierta de metal y alinear los nódulos dentro de la placa de conexión. Empujar la cubierta de metal suavemente hacia arriba y girar la cubierta de metal hacia la DERECHA (en sentido de las agujas del reloj) hasta que se quede encajada.

PRECAUCION: No instalar el conector para el juego de luz ni la bombilla si NO desea utilizar el juego de luz.



10. Proceso de aprendizaje automático./ El activar el código.

PRECAUCION: Se puede programar el transmisor del control remoto para usar con varios receptores o ventiladores. Si no desea hacer esto, apagar el interruptor de cualquier otro receptor o ventilador programable.

El transmisor del control remoto está equipado con 16 combinaciones de códigos para prevenir posibles interferencias de o a otras unidades de control remoto como abridores de puertas, alarmas de carro o sistemas de seguridad. Si encuentra que su ventilador y juego de luz se prenden y se apagan sin usar su control, simplemente cambiar el código de combinación en el transmisor del control remoto (y el control de pared). **Para programar el código, seguir estos pasos:**

Quitar la tapa de la batería en la parte de atrás del transmisor.

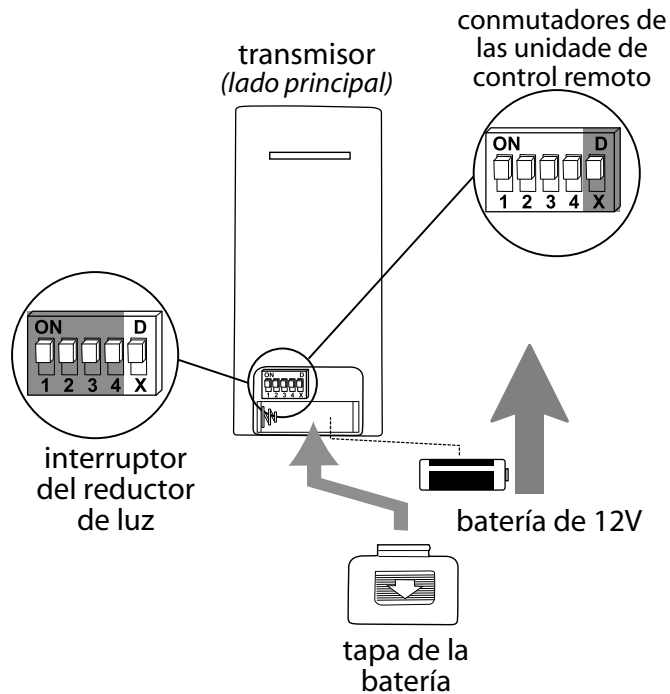
Usar un bolígrafo o un destornillador pequeño para programar los conmutadores de las unidades de control remoto 1 a 4 en el transmisor. **Usar la misma secuencia numérica que se usó cuando se hizo el cableado del control de pared en la sección 6 (página 6).**

Nota: El interruptor del reductor de luz (etiquetado **D** y **X**) está programado de antemano en posición "ENCENDIDO" (**D**). Si prefiere no tener la capacidad de bajar las luces, favor de mover el interruptor a la posición "APAGADO" (**X**).

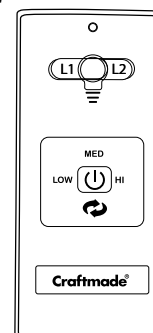
Instalar una batería de 12 voltios (incluida) en el transmisor y luego volver a poner la tapa de la batería.

IMPORTANTE: Guardar el transmisor lejos del calor excesivo y la humedad. Para prevenir daño al transmisor, sacar la batería si no se va a utilizar el transmisor por un tiempo extendido.

Volver a conectar la electricidad y luego poner el interruptor corredero en el control de pared en posición ON (encendida). Dentro de 30 segundos de haber prendido el control de pared, oprimir el botón OFF (⏻), en el lado principal del transmisor, por 5 segundos o hasta que la luz inferior del ventilador parpadee dos veces. Poner a prueba las funciones de luz y ventilador para confirmar que se haya terminado el proceso de aprendizaje--verse la sección 13.



transmisor (parte de atrás)



11. Funcionamiento del control de pared.

Interruptor corredero **ON / OFF** - ENCIENDE y APAGA el control de pared

Botón **HIGH** - pone el ventilador en velocidad ALTA

Botón **MED** - pone el ventilador en velocidad MEDIA

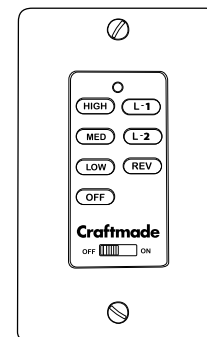
Botón **LOW** - pone el ventilador en velocidad BAJA

Botón **OFF** - APAGA el ventilador

Botón **L1** - ENCIENDE/APAGA la luz inferior cuando se oprime el botón una vez; al oprimir el botón y mantenerlo oprimido, se convierte en reductor de luz la luz inferior

Botón **L2** - ENCIENDE/APAGA la luz superior cuando se oprime el botón una vez; al oprimir el botón y mantenerlo oprimido, se convierte en reductor de luz la luz superior

Botón **REV** - se usa para CAMBIAR la dirección de las aspas (hay que poner el ventilador en posición baja antes de poner el ventilador en reversa)




12. Funcionamiento del control remoto.

Botón **HI** - pone el *ventilador* en velocidad ALTA

Botón **MED** - pone el *ventilador* en velocidad MEDIA

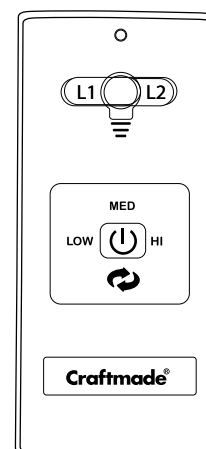
Botón **LOW** - pone el *ventilador* en velocidad BAJA

Botón  - se usa para CAMBIAR la dirección de las aspas (hay que poner el ventilador en posición *baja* antes de poner el ventilador en reversa)

Botón  - APAGA el *ventilador*

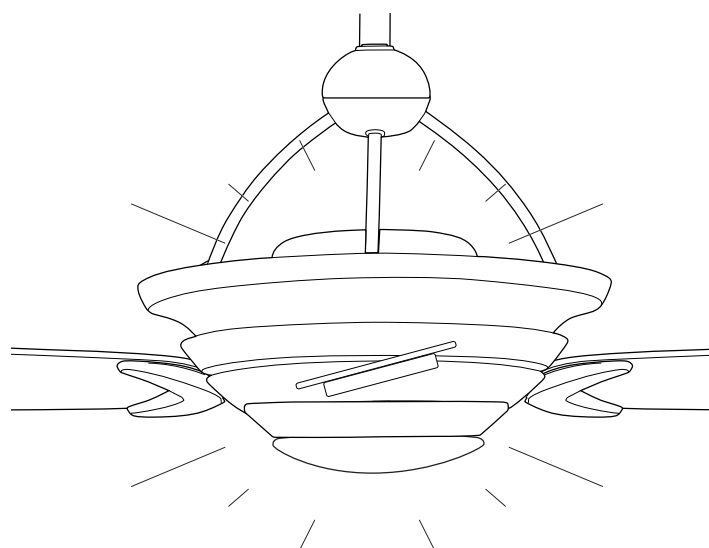
Botón **L1** - ENCIENDE/APAGA la *luz inferior* cuando se oprime el botón una vez; al oprimir el botón y mantenerlo oprimido, se convierte en reductor de luz la *luz inferior*

Botón **L2** - ENCIENDE/APAGA la *luz superior* cuando se oprime el botón una vez; al oprimir el botón y mantenerlo oprimido, se convierte en reductor de luz la *luz superior*



13. Verificación del funcionamiento del ventilador.

Se le recomienda poner el ventilador a prueba antes de terminar la instalación. Localizar el interruptor corredero de APAGADO y ENCENDIDO en el control de pared y ponerlo en posición ENCENDIDO (ON). Poner a prueba la luz y la función del reductor de luz con los botones L1 y L2 y luego poner a prueba las velocidades del ventilador con los diferentes botones de control de velocidad en el control de pared. Luego, localizar el transmisor del control remoto. Verificar las velocidades del ventilador con los diferentes botones de velocidad del control remoto. Poner a prueba la función de luz de APAGADO y ENCENDIDO con el botón L1 en el control remoto; repetir con el botón L2. Poner a prueba el funcionamiento del reductor de luz oprimiendo el botón L1 por más de 2 segundos; repetir con el botón L2. Si el control remoto maneja todas las funciones de ventilador y luz, se ha instalado bien la batería. Si el ventilador y/o la luz no funciona(n), favor de referirse a la sección "Localización de fallas" para resolver cualquier asunto antes de comunicarse con el Servicio al Cliente.



Se debe poner el ventilador en posición BAJA *antes* de poner el ventilador en reversa. Regular la rotación de aspas con el botón de reversa para que se circule bien el aire dependiendo de las estaciones del año.

NOTA: Si el control remoto interfiere con otros aparatos, cambiar los conmutadores de las unidades de control remoto en el transmisor (Y el control de pared) a otro código. Si es que cambia el código, **cortar la electricidad**, quitar la tapa de la batería, y, después de programar el nuevo código, repetir las instrucciones del último párrafo de la sección 10 (página 9).

Localización de fallas.

ADVERTENCIA: *El no desconectar el suministro de fuerza eléctrica antes de hacer localización de fallas para cualquier problema de instalación eléctrica puede causar lesiones graves.*

Problema: El ventilador no funciona.

Soluciones:

1. Inspeccionar el interruptor de pared del ventilador/control de pared.
2. Verificar que el interruptor de reversa del ventilador está en una sola posición, no en medio de las dos.
3. Asegurarse de que los conmutadores de las unidades de control remoto estén puestos correctamente en el transmisor del control remoto y el control de pared.
4. Asegurarse de que se hizo correctamente la instalación eléctrica en el receptor.
5. Verificar la instalación eléctrica del control de pared.
6. Verificar la instalación eléctrica del ventilador.
7. Averiguar que la luz roja se prende en el transmisor del control remoto cuando se oprima un botón, lo cual significa que sirve la batería.
8. Es posible que no tuvo éxito el proceso de aprendizaje entre el ventilador, el transmisor del control remoto y el control de pared y que no se activó el código. Desconectar la electricidad y repetir las instrucciones en el último párrafo de la sección 10 (página 9).

Problema: El juego de luz (opcional) no se ilumina.

Soluciones:

1. Inspeccionar el interruptor de pared del ventilador.
2. Verificar que se instalaron correctamente las bombillas.
3. Verificar que se hizo correctamente la conexión de cables en la cubierta decorativa.
4. Asegurarse de que los conmutadores de las unidades de control remoto estén puestos correctamente en el transmisor del control remoto y el control de pared.
5. Asegurarse de que se conectaron bien las conexiones tipo "molex" en el conector para el juego de luz.
6. Es posible que no tuvo éxito el proceso de aprendizaje entre el ventilador, el transmisor del control remoto y el control de pared y que no se activó el código. Desconectar la electricidad y repetir las instrucciones en el último párrafo de la sección 10 (página 9).
7. Verificar que las bombillas no suman más de 190W. [Nota: El poner bombillas en el juego de luz que suman más de 190W ocasionará la interrupción de la corriente eléctrica que va al juego de luz debido al aparato que sirve para limitar el vatiaje.]

Problema: El ventilador funciona pero la(s) luz (luces) no.

Soluciones:

1. Verificar que se instalaron correctamente las bombillas.
2. Verificar que se hizo correctamente la conexión de cables en la cubierta decorativa.
3. Asegurarse de que se conectaron bien las conexiones tipo "molex" en el conector para el juego de luz.
4. Reemplazar bombillas defectuosas con el mismo tipo de bombilla.
5. Verificar que las bombillas no suman más de 190W. [Nota: El poner bombillas en el juego de luz que suman más de 190W ocasionará la interrupción de la corriente eléctrica que va al juego de luz debido al aparato que sirve para limitar el vatiaje.]

Problema: No funcionan el ventilador ni la luz con el control remoto.

Soluciones:

1. Averiguar la carga de la batería en el control remoto.
2. Asegurarse de que los conmutadores de las unidades de control remoto estén puestos correctamente en el transmisor y el receptor del control remoto y el control de pared.
3. Es posible que no tuvo éxito el proceso de aprendizaje entre el ventilador, el transmisor del control remoto y el control de pared y que no se activó el código. Desconectar la electricidad y repetir las instrucciones en el último párrafo de la sección 10 (página 9).

Problema: El ventilador se tambalea.

Soluciones:

1. Usar el juego para balancear las aspas incluido en uno de los paquetes de artículos de ferretería. *Si no se incluye un juego para balancear las aspas, llamar al Servicio al Cliente, 1-800-486-4892, para pedir uno.*
2. Averiguar que se apretó (apretaron) bien el (los) tornillo(s) de fijación en el cuello del bastidor del motor.
3. Averiguar que se apretó bien el tornillo de fijación en la bola que sirve para colgar.

Garantía.

GARANTIA LIMITADA DE POR VIDA DE CRAFTMADE/ELLINGTON:

CRAFTMADE/ELLINGTON garantiza este ventilador al comprador original de grupo familiar para uso interior con las siguientes condiciones:

GARANTIA DE 1 AÑO: CRAFTMADE/ELLINGTON reemplazará o reparará cualquier ventilador que tenga funcionamiento deficiente debido a defectos en los materiales o trabajo manual. Comunicarse con el Servicio al Cliente de CRAFTMADE/ELLINGTON al **1-800-486-4892** para acordar el reenvío del ventilador. Devolver el ventilador, con los gastos de envío prepagados, a Craftmade/Ellington. Nosotros repararemos o reemplazaremos el ventilador y pagaremos los gastos de envío de regreso.

GARANTIA DE 5 AÑOS: CRAFTMADE/ELLINGTON reemplazará o reparará, sin costo al comprador original, cualquier motor de ventilador que no funcione de manera satisfactoria a causa de uso normal.

DEVOLVER EL MOTOR SOLAMENTE, los gastos de envío propagados, a Craftmade/Ellington. Nosotros repararemos el motor al comprador o le enviaremos uno de reemplazo y Craftmade/Ellington pagará los gastos de envío de regreso.

GARANTIA LIMITADA DE 6 AÑOS hasta DE POR VIDA: CRAFTMADE/ELLINGTON reparará el ventilador, sin costo al comprador original por el coste laboral, si el motor del ventilador no funciona satisfactoriamente a causa del uso normal. Las piezas que se utilizan en hacer la reparación serán facturadas al comprador a los precios prevaletientes en el momento de la reparación.

El comprador original será responsable de todos los gastos incurridos en sacar, reinstalar y enviar el producto para reparación.

Esta garantía no se aplica cuando el ventilador tenga daños por abuso mecánico, físico, eléctrico o por agua resultando en su mal funcionamiento. Se exenta específicamente el deterioro en el acabado u otras partes debido al tiempo o exposición al aire marino bajo esta garantía.

Ni Craftmade/Ellington ni el fabricante se harán responsables por lo que pasa por una instalación inadecuada o el uso impropio de este producto. La compañía no se hará responsable en ningún caso de ningún daño emergente por incumplimiento de esta o cualquier otra garantía expresada o implicada en absoluto. Esta limitación de daños emergentes no se aplicará en estados donde es prohibido.

Piezas de repuesto.

Para piezas o información, referirse al "Inventario de piezas" en la página 2.

Servicio al Cliente de Craftmade/Ellington:
1-800-486-4892

www.craftmade.com

Craftmade

CEILING FANS

Est. 1985