

TLS Series C Light Strips - Instructions

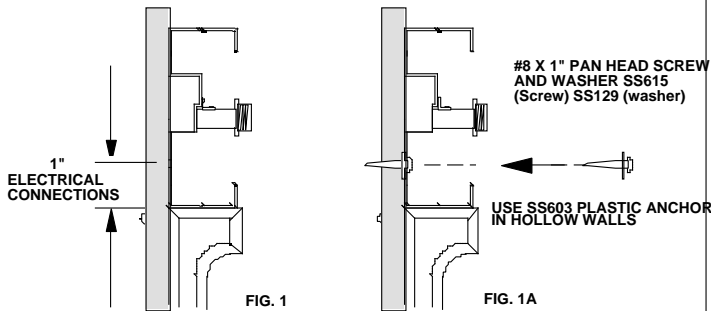
Manufactured by
 Robern Inc.,
 701 North Wilson Ave
 Bristol, PA 19007
 800.877.2376

Please Note:

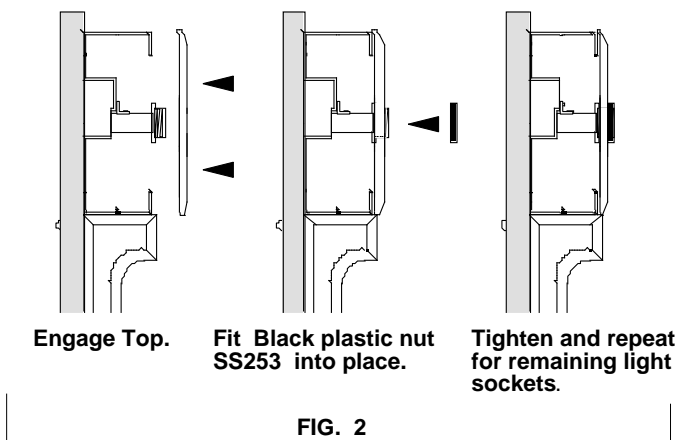
1. INSTALL THE SERIES C CABINET FIRST AND SIDE KITS (FOR SURFACE MOUNTED CABINETS) LAST.
2. INSTALL THE GREEN GROUND SCREW AND WASHER IN HOLE PROVIDED IN LIGHT CHANNEL FOR GROUND CONNECTION.
 SEE FIG. 10
3. BE SURE THE ELECTRICAL CONNECTIONS ARE WIRED TO A GFI CIRCUIT.
4. BE SURE THE ELECTRICAL CONNECTIONS MEET LOCAL CODE.
5. IF YOU HAVE ANY QUESTIONS REGARDING YOUR ROBERN TLS LIGHT FIXTURE PLEASE CALL OUR TOLL FREE CUSTOMER SERVICE NUMBER 800.877.2376 BETWEEN 9:00 AM AND 4:00 PM EASTERN TIME.

INSTALLATION OVER RECESS MOUNTED C CABINETS

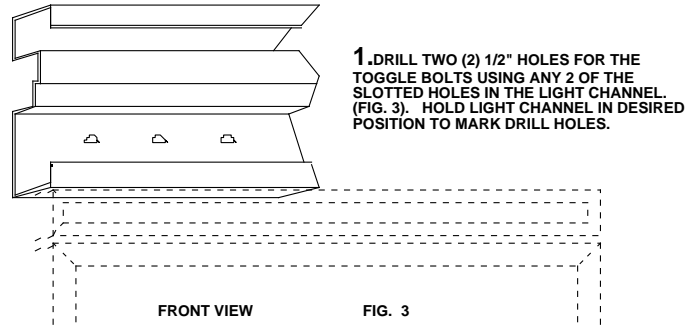
1. WHEN THE MIRRORRED CABINET IS MOUNTED INTO THE WALL THE TLS LIGHT CHANNEL IS MOUNTED TO THE WALL OVER THE CABINET AS SHOWN IN FIG. 1.



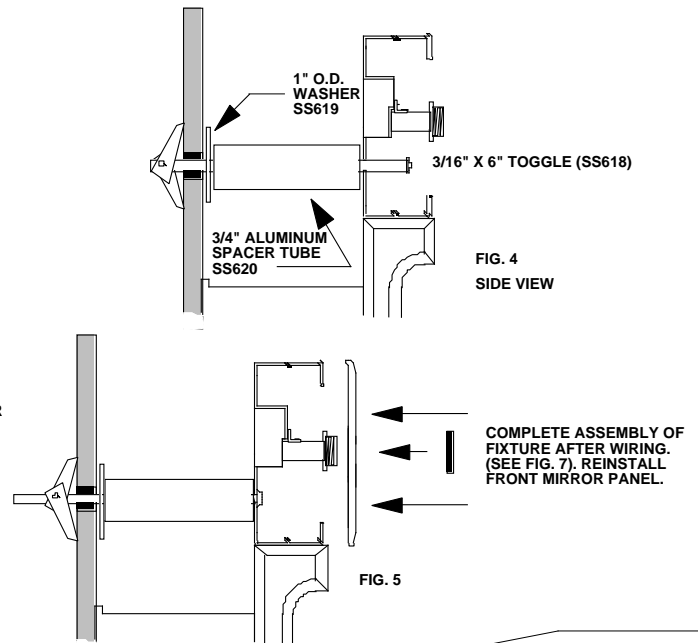
2. ONCE ELECTRICAL CONNECTIONS ARE MADE (FIG. 7) ATTACH THE MIRROR /SOCKET PANEL TO THE LIGHT CHANNEL AS SHOWN IN FIG. 2.



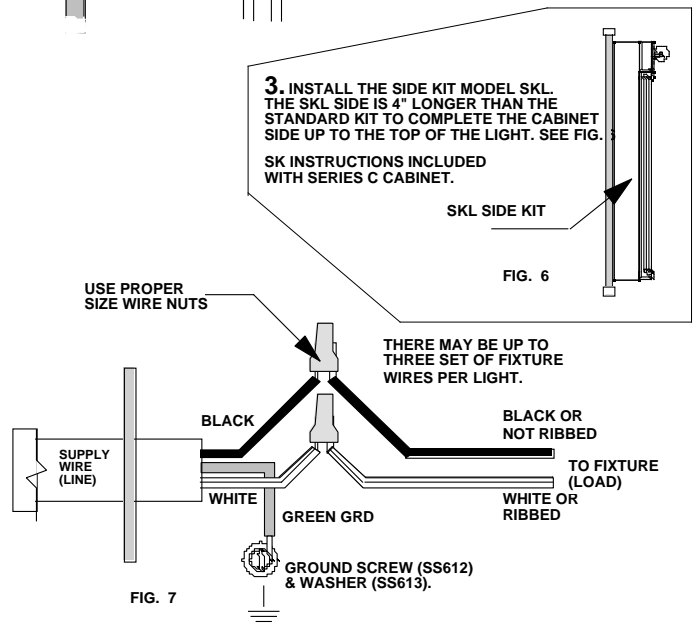
INSTALLATION OVER SURFACE MOUNTED B & C CABINETS



2. FASTEN LIGHT CHANNEL TO WALL WITH TOGGLE BOLT, WASHER AND SPACER AS SHOWN BELOW IN FIG. 4. INSTALL FRONT MIRROR PANEL AS SHOWN IN FIG. 8.

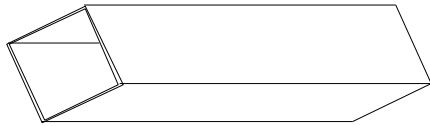


3. INSTALL THE SIDE KIT MODEL SKL. THE SKL SIDE IS 4" LONGER THAN THE STANDARD KIT TO COMPLETE THE CABINET SIDE UP TO THE TOP OF THE LIGHT. SEE FIG. 6. SK INSTRUCTIONS INCLUDED WITH SERIES C CABINET.

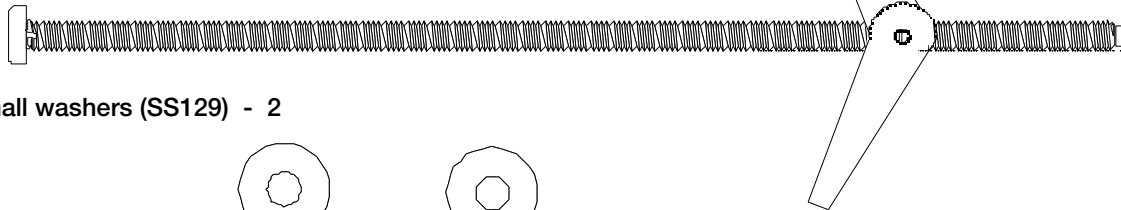


Hardware Bag (Model BAGLITE)

1. Spacer for surface mounting. (SS620) - 2



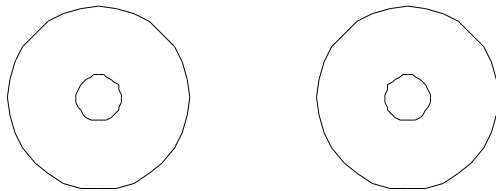
2. Toggle bolt (SS618) - 2



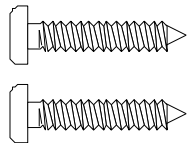
3. Small washers (SS129) - 2



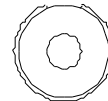
4. Large washers (SS619) - 2



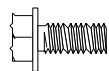
5. 1" zinc No. 8 pan head screws (SS615) - 2



6. #8 green cup washer (SS613) -1



7. Slotted green hex head #8 (SS612) - 1



8. Red Plastic anchors (SS603) - 2



Black Phenolic ring (SS253)
Quantity depends on specified light.

