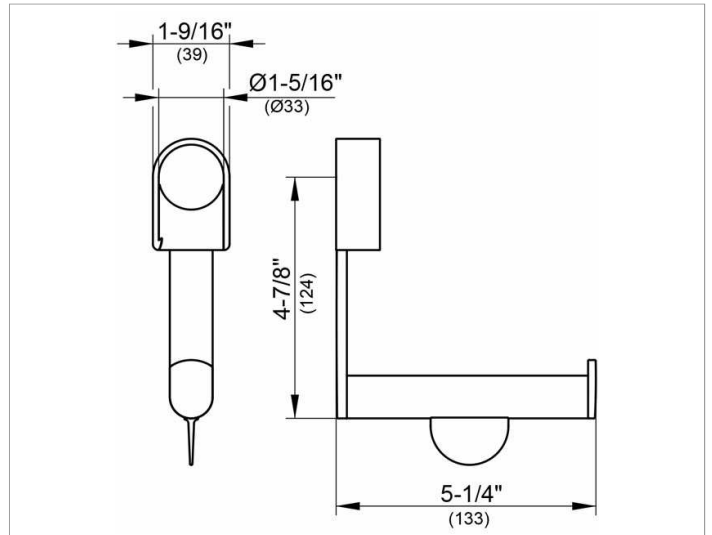


**Plan Care**  
**34962010000 Toilet paper holder**

**PRODUCT**



**DRAWING**



**PRODUCT ATTRIBUTES**

for mounting on rail system

**SURFACE**

chrome-plated

**SPECIFICATIONS**

KEUCO PLAN CARE Toilet paper holder, 34962010000,  
 high shine chrome-plated  
 for mounting on an angle bar

May be combined with angle bar  
 (Art. no. 34906)  
 Please order separately!

**Warranty:** KEUCO products are covered by a 5-year manufacturer's warranty, in effect from the date of purchase. During this time, proven product defects will be remedied free of charge. Warranty claims must be filed in writing, including a detailed description of the defect immediately after a defect has occurred. For a copy of our detailed product warranty policy, please contact us at [office-usa@keuco.com](mailto:office-usa@keuco.com).

**Installation:** KEUCO products must be installed by a qualified professional in accordance with the respective installation guidelines and any applicable federal / local building codes and regulations.