

KSV-1MW

KRAUS Natura Composite Bathroom Sink

Kräus[®]
SPECIFICATION SHEET

Material

Composite

Installation Type

Vessel

Bowl Shape

Round

Drain

Type: W/O Overflow

Drain Hole Size: 1.75"

Dimensions

Sink Dimensions: 15" x 4.9"

Accessories Included

Sponge, Buffing Paper

Optional

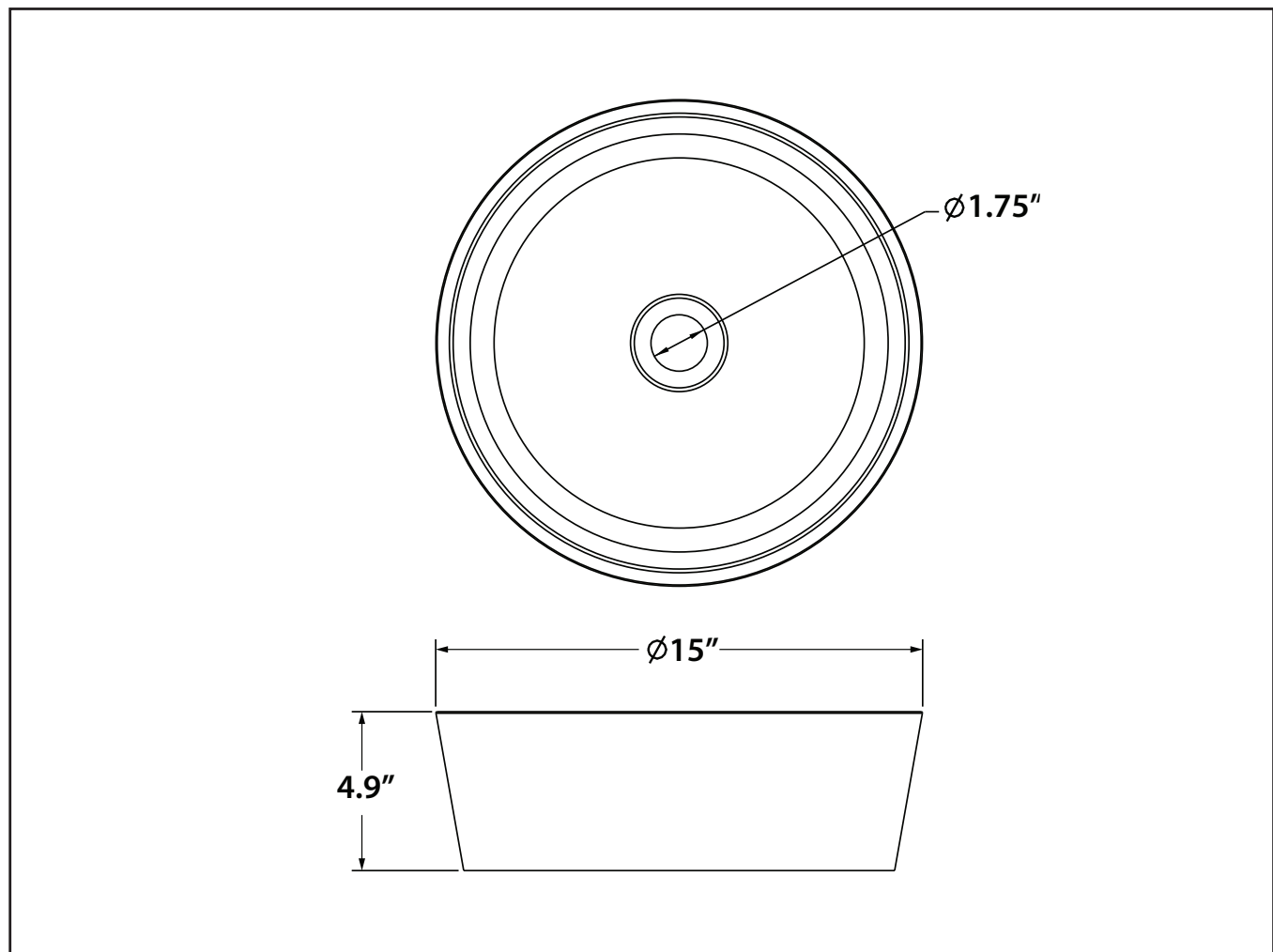
Pop-Up Drain: PU-10

Grid Drain: PU-12

P-Trap: PT-50

Kraus Lifetime Limited Warranty: See website for details www.kraususa.com

1.800.775.0703 / customerservice@kraususa.com



KVF-1200

Arlo™ Single Lever Vessel Bathroom Faucet

Chrome / Spot Free all-Brite™ Stainless Steel / Oil Rubbed Bronze /
Matte Black Finishes

Kräus®

SPECIFICATION SHEET

Material

Body: Brass
Handle: Zinc
Waterway: Brass

Faucet Type

Vessel Faucet

Aerator

Flow Rate: 1.2 gpm (4.5L/min) @ 60 psi
Name: CASCADE® Smart Lime Cleaning

Cartridge

Type: Ceramic
Size: 25mm
Style: Lever

Mounting

Holes: 1 Holes
Type: Steel Bolt & Steel Washer & Steel Nut

Waterlines

Length: 22"
Flexible
Connections: 3/8"
Materials: Braided Nylon
Included

Dimensions

Overall Height: 12 1/8"
Spout Height: 8 1/4"
Spout Reach: 5"

Accessories Included

Pop-Up Drain, Hex Wrench, Aerator Key

Kraus Lifetime Limited Warranty: See website for details www.kraususa.com

1.800.775.0703 / customerservice@kraususa.com

