

KP1TS33S-2

Pax™ Zero-Radius 33" Drop-In / Topmount
Single Bowl 16 Gauge Stainless Steel Kitchen Sink
Satin Finish

Kräus®

SPECIFICATION SHEET

Stainless Steel

Thickness 16 Gauge

Bowl Configuration

Single Bowl

Installation Type

Topmount

Recommended Minimum Cabinet Size

24" Front to Back

36" Left to Right

Bowl Dimensions

Front to Back: 18"

Left to Right: 31"

Depth: 9"

Rim Dimensions

Front to Back: 22"

Left to Right: 33"

Drain Size

3 1/2" (89mm)

Drain Location

Rear Center

Recommended Dish Grid

30" Stainless Steel Kitchen Sink Grid

Model No: KBG-P3118

Included with Product

NoiseDefend Undercoating

NoiseDefend Sound Dampening Pads

Strainer ST-1

Cover Cap STC-2

Grid Model No. KBG-P3118

Installation Template

Silicone Mitt KSM-1BLACK

Silicone Trivet KST-1BLACK

Warranty

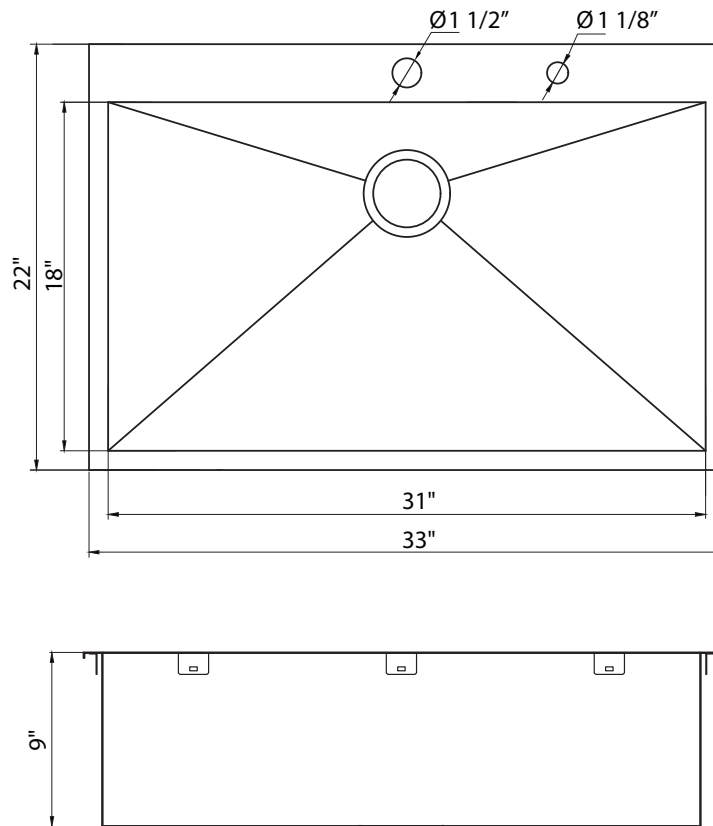
Kraus Lifetime Limited Warranty

Product Certification

cUPC (ASME A112.19.3/CSA B45.4)

Kraus Lifetime Limited Warranty: See website for details www.kraususa.com

1.800.775.0703 / customerservice@kraususa.com



Nola™ / KPF-1640

Single Lever Flex Commercial Style Kitchen Faucet

Chrome / Stainless Steel Finishes

Kräus®

SPECIFICATION SHEET

Material

Body: Brass
Handle: Zinc
Sprayer: ABS
Waterway: Brass

Spout

Swivel: 360
Design: Double Coil

Sprayhead

Flow Rate: 1.75 gpm (6.6L/min) @ 60 psi
Aerator: Neoperl/1.75GPM
Name: Cache Perlator Honeycomb
Function: Spray/Stream
Nozzles: Easy Clean Rubber Nozzles
Docking: Magnet

Cartridge

Brand: Kerox
Size: 35mm
Style: Lever

Mounting

Holes: 1 - 3 Holes
Type: Brass Nut

Waterlines

Type : Haoyamei, 600mm
Flexible
Connections: 3/8"
Materials: Braided Stainless Steel
Included

Dimensions

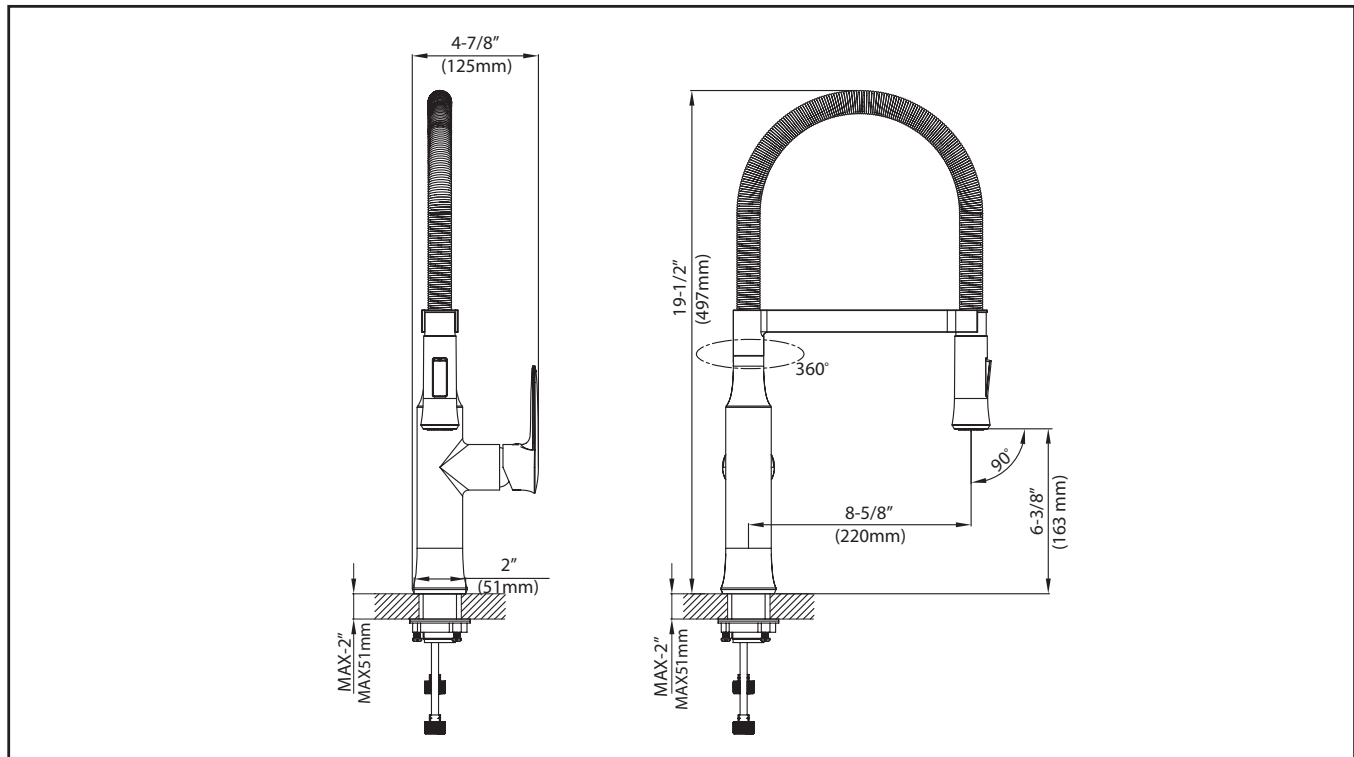
Faucet Dimensions: 19 1/2" x 8 5/8" x 2"
Handle Clearance: 3 1/4"

Accessories Included

Escutcheon Plate, Hex Wrench

Kraus Limited Lifetime Warranty: See website for details www.kraususa.com

1.800.775.0703 / customerservice@kraususa.com



Codes/Standards: Meets ASME A112.18.1/CSA B125.1, NSF/ANSI Standard 61 certified by IAPMO, NSF/ANSI Standard 372 certified by IAPMO, CAL GREEN, CEC, ADA

REV. August 16, 2016