

# KP1TS33S-2

Pax™ Zero-Radius 33" Drop-In / Topmount  
Single Bowl 16 Gauge Stainless Steel Kitchen Sink  
Satin Finish

# Kräus®

SPECIFICATION SHEET

### Stainless Steel

Thickness 16 Gauge

### Bowl Configuration

Single Bowl

### Installation Type

Topmount

### Recommended Minimum Cabinet Size

24" Front to Back

36" Left to Right

### Bowl Dimensions

Front to Back: 18"

Left to Right: 31"

Depth: 9"

### Rim Dimensions

Front to Back: 22"

Left to Right: 33"

### Drain Size

3 1/2" (89mm)

### Drain Location

Rear Center

### Recommended Dish Grid

30" Stainless Steel Kitchen Sink Grid

Model No: KBG-P3118

### Included with Product

NoiseDefend Undercoating

NoiseDefend Sound Dampening Pads

Strainer ST-1

Cover Cap STC-2

Grid Model No. KBG-P3118

Installation Template

Silicone Mitt KSM-1BLACK

Silicone Trivet KST-1BLACK

### Warranty

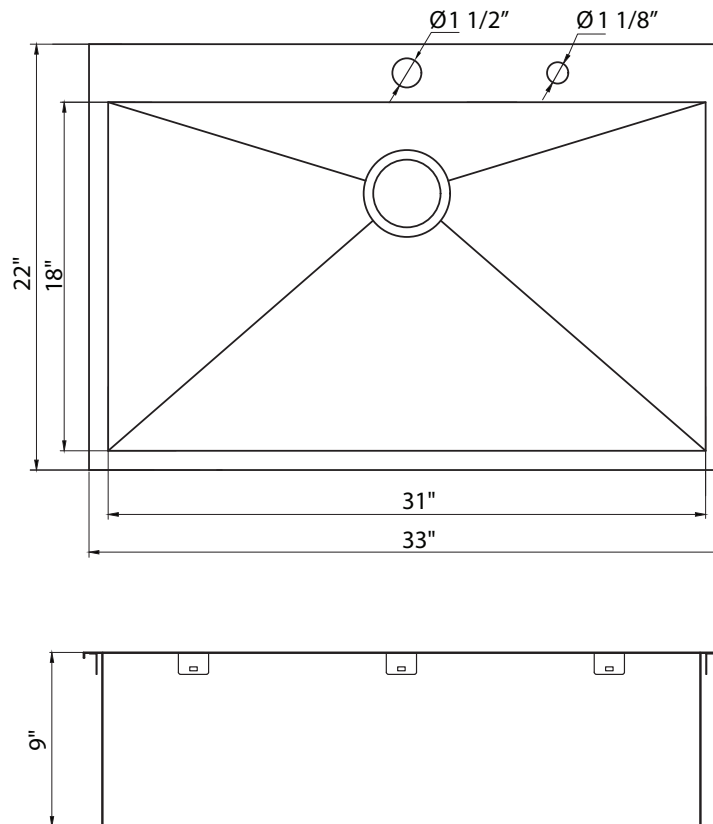
Kraus Lifetime Limited Warranty

### Product Certification

cUPC (ASME A112.19.3/CSA B45.4)

Kraus Lifetime Limited Warranty: See website for details [www.kraususa.com](http://www.kraususa.com)

1.800.775.0703 / [customerservice@kraususa.com](mailto:customerservice@kraususa.com)



# Nola™ / KPF-1630

Single Lever Pull-down Kitchen Faucet

Chrome / Stainless Steel Finishes

# Kräus®

SPECIFICATION SHEET

## Material

Body: Brass  
Handle: Zinc  
Sprayer: ABS  
Waterway: Braided Nylon

## Spout

Swivel: 360  
Design: Full Body  
Pull Down

## Sprayhead

Flow Rate: 1.75 gpm (6.6L/min) @ 60 psi  
Aerator: Neoperl/1.75GPM  
Name: Cache Perlator Honeycomb  
Function: Spray/Stream  
Nozzles: Easy Clean Rubber Nozzles  
Docking: Secure

## Hose

Type: Neoperl

## Cartridge

Brand: Sedal  
Size: 25mm  
Style: Lever

## Mounting

Holes: 1 - 3 Holes  
Type: Brass Nut

## Waterlines

Type : Haoyamei, 600mm  
Flexible  
Connections: 3/8"  
Materials: Braided Stainless Steel  
Included

## Dimensions

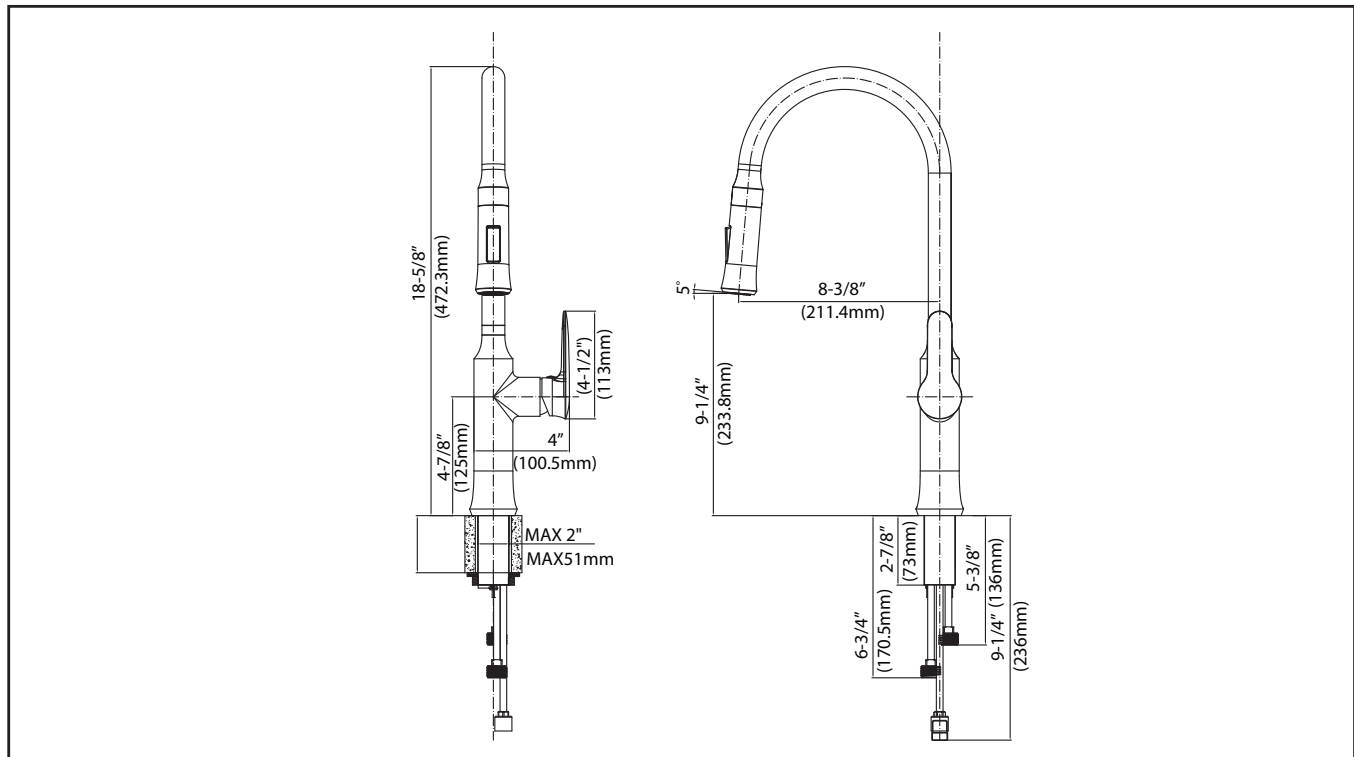
Faucet Dimensions: 18 5/8" x 8 3/8" x 2"  
Handle Clearance: 3 1/4"

## Accessories Included

Escutcheon Plate, Weight, Hex Wrench

Kraus Limited Lifetime Warranty: See website for details [www.kraususa.com](http://www.kraususa.com)

1.800.775.0703 / [customerservice@kraususa.com](mailto:customerservice@kraususa.com)



Codes/Standards: Meets ASME A112.18.1/CSA B125.1, NSF/ANSI Standard 61 certified by IAPMO, NSF/ANSI Standard 372 certified by IAPMO, CAL GREEN, CEC, ADA

REV. August 16, 2016