

**Kräus®**

INSTALLATION MANUAL

# **Pax™ Series Zero-Radius Stainless Steel Topmount Kitchen Sinks**

KP1TS25S-1

KP1TS33S-2

KP1TS33S-4

## Thank you for your purchase

We would like to take this opportunity to thank you for choosing Kraus. We hope that you are completely satisfied with your purchase, and enjoy it for years to come. If you have any questions, or require technical assistance, please contact us at 800.775.0703 and one of our representatives will be happy to help.

For more information about Kraus products, please visit:

**[www.kraususa.com](http://www.kraususa.com)**

In order to activate your warranty and get faster access to customer support, please register your new Kraus product at:

**[www.kraususa.com/registration](http://www.kraususa.com/registration)**

*Sincerely,*

*Kraus USA Customer Service*

## **Prior to Installation:**

- Make sure that you have all necessary parts by checking the parts list. If any part is missing or damaged, please contact Kraus Customer Service at 800-775-0703 for a replacement
- Inspect the sink prior to installation to make sure that it has not been damaged or during shipping
- Use the cut-out template provided by Kraus
- Observe all plumbing and building codes according to your state requirements

**For technical assistance or replacement parts, please contact Kraus Customer Service and one of our representatives will be happy to help:**

Toll-Free: 800-775-0703 or [customerservice@kraususa.com](mailto:customerservice@kraususa.com)

The step-by-step guidelines in the installation instructions are a general reference for installing a Kraus sink. Should there be any discrepancies, Kraus cannot be held liable. It is recommended to install all Kraus products by hiring a licensed professional.

## Tools you will need:

---



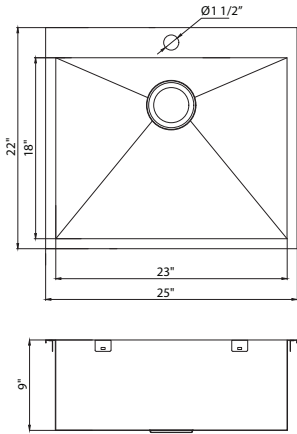
**NOTE:** Specialized tools may be necessary to install Kraus stainless steel topmount sinks with countertop materials other than wood, marble, or granite

## Parts List

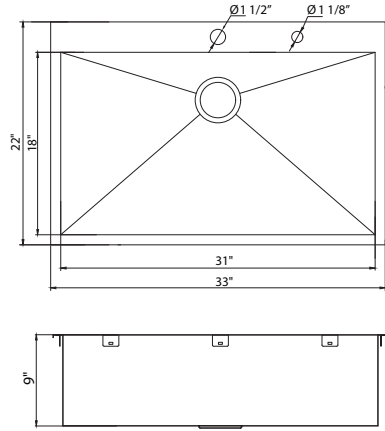
---

- Cut-Out Template
- Mounting Hardware
- Bottom Grid
- Drain

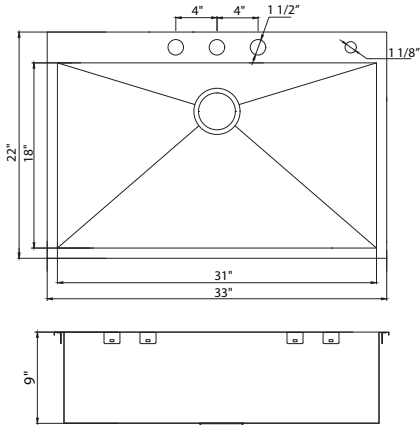
# Dimensions



KP1TS25S-1  
25" x 22" x 9"  
Min Cabinet Size: 27"  
Drain Model #: ST-1



KP1TS33S-2  
33" x 22" x 9"  
Min Cabinet Size: 36"  
Drain Model #: ST-1



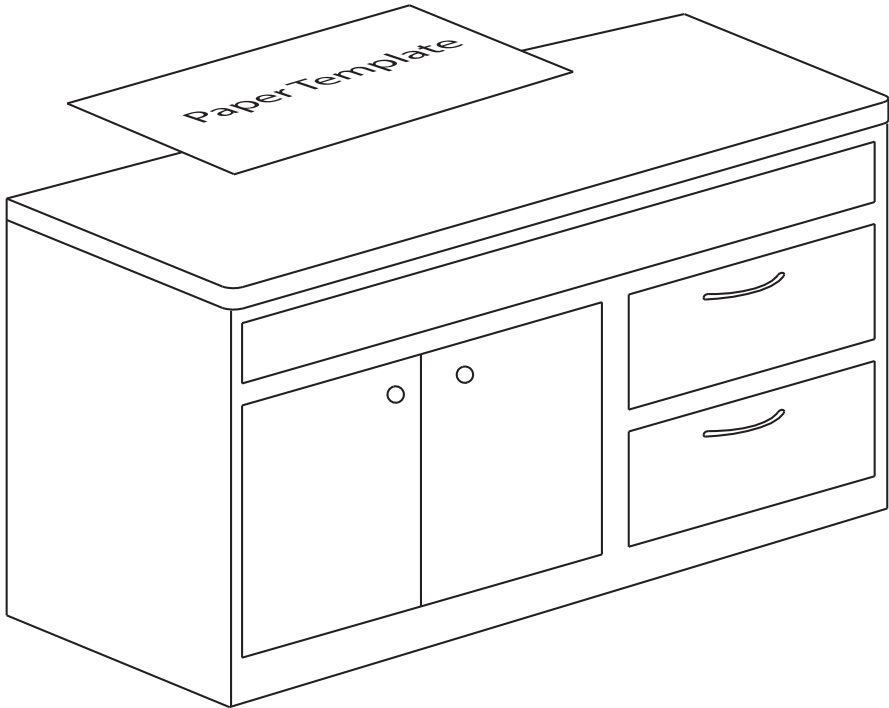
KP1TS33S-4  
33" x 22" x 9"  
Min Cabinet Size: 36"  
Drain Model #: ST-1

## 1. Position Template

---

- Check the cut-out template against the actual sink to ensure a proper sized cut-out
- Place the cut-out template in the desired location on the countertop

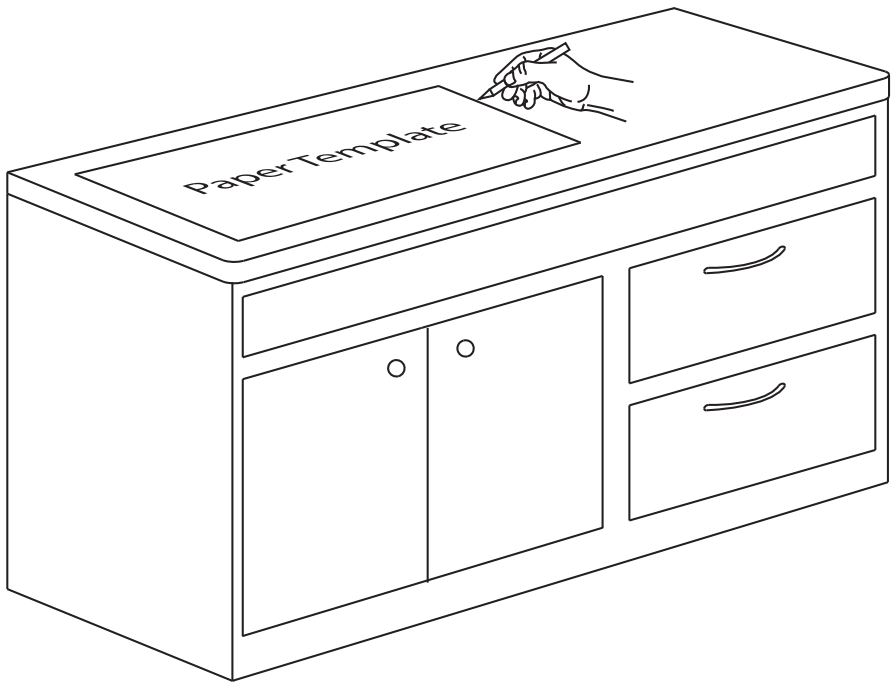
**NOTE:** Make sure clearance is suitable for backsplash, faucet, and plumbing for the sink



## 2. Trace Template

---

- Trace template on countertop with a pencil

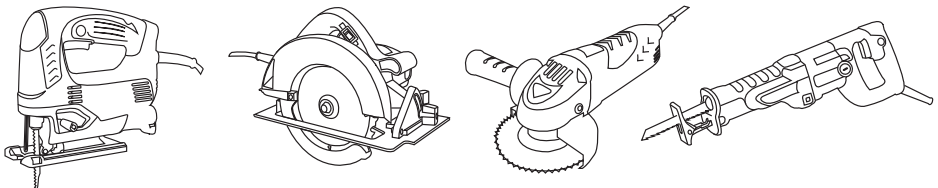
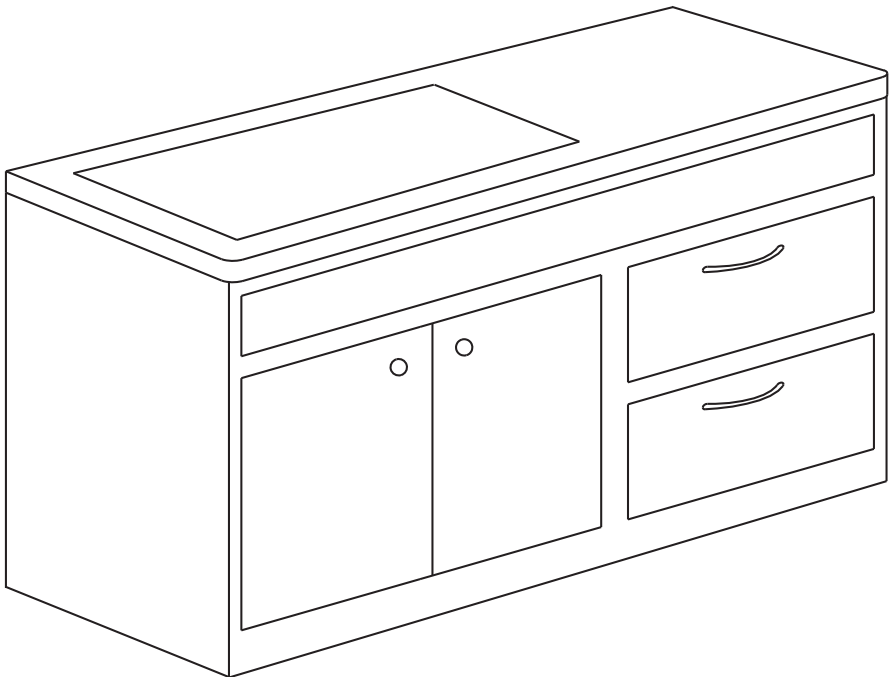


### 3. Cut Countertop

---

- Cut the opening in the countertop by carefully following the traced line

**NOTE:** Please use the appropriate saw that best fits your countertop material

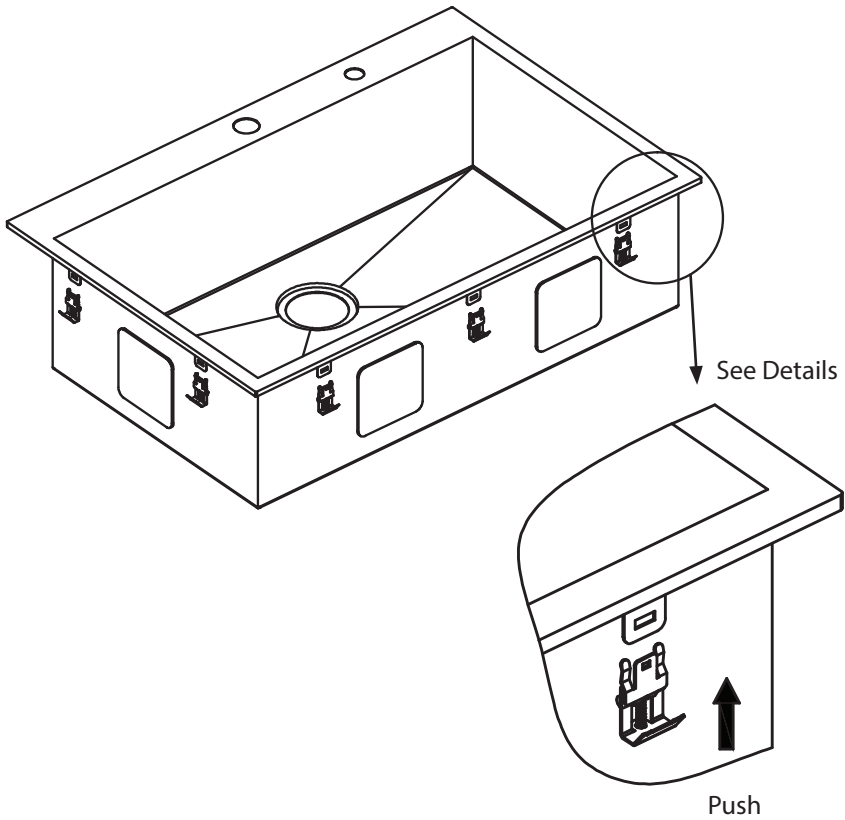




## 4. Attach Mounting Hardware

---

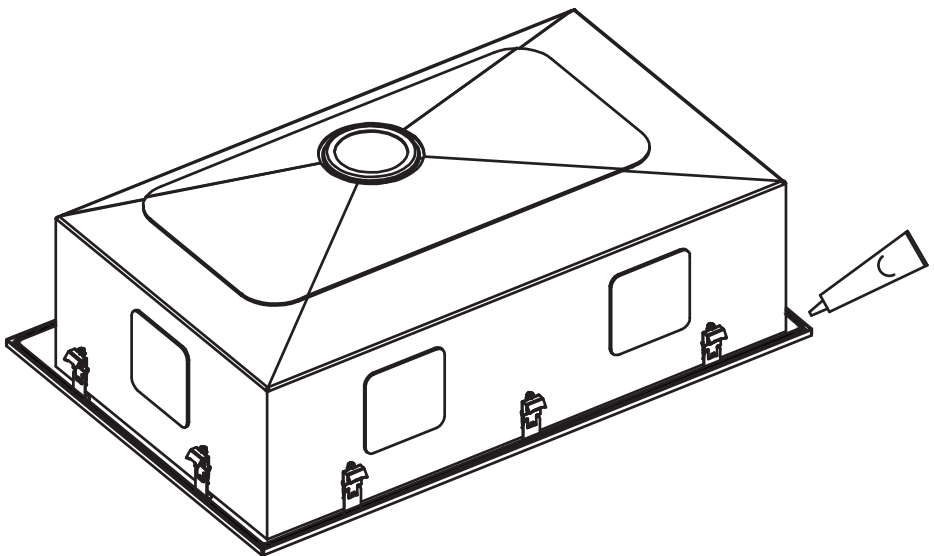
- Attach mounting hardware to the prongs protruding from the underside of the sink rim
- Make sure the hooked side of the mounting clip is facing away from the sink



## 5. Apply Silicone or Plumber's Putty

---

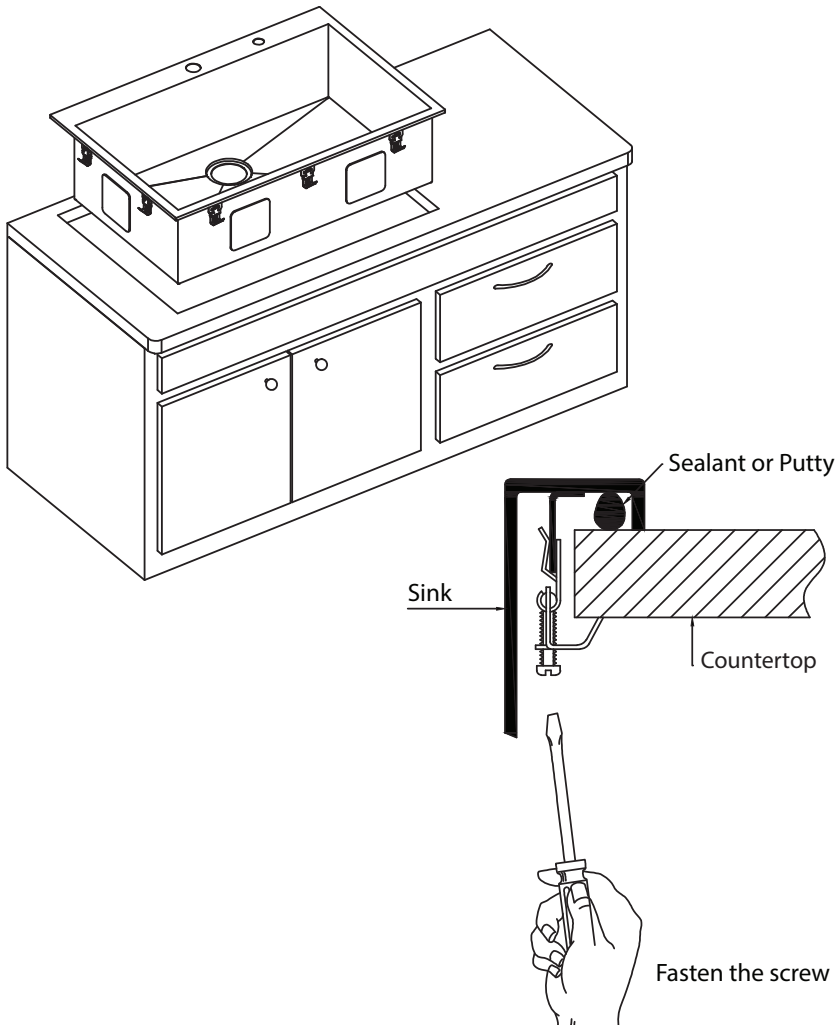
- Clean and dry the surface around the opening of the sink
- Turn the unit upside down to apply sealant. Apply silicone-based sealant (not included) underneath the edge of the sink



## 6. Secure Sink to Countertop

---

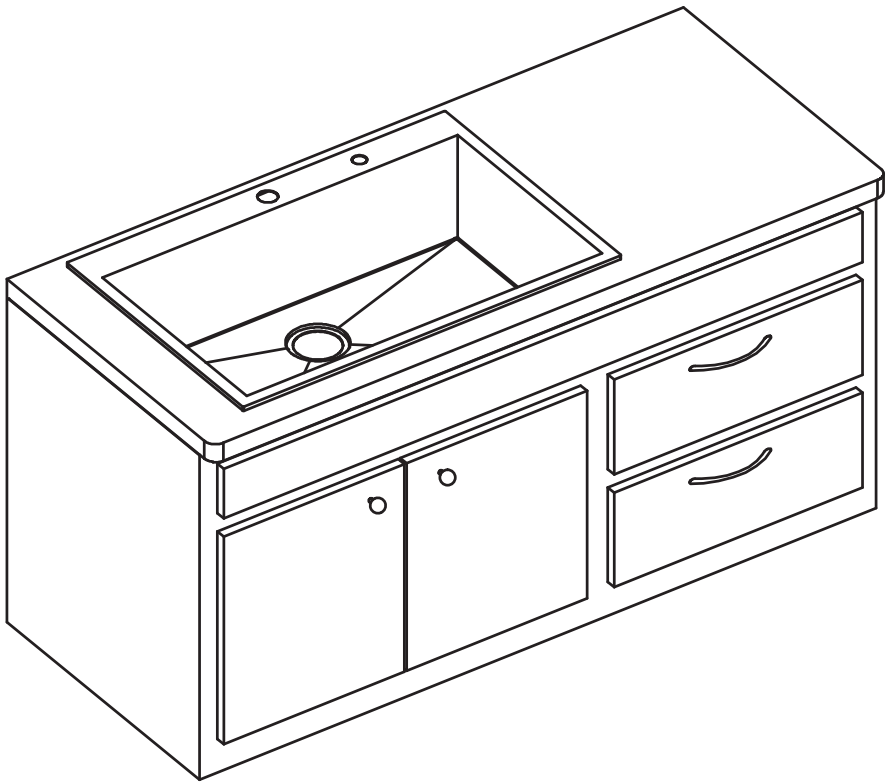
- Insert the sink into the opening, check the alignment of the sink to the cutout in the countertop, and press firmly
- Tighten the screws in the front of the sink, followed by the ones in the back and on the sides of the sink
- Remove excess silicone-based sealant
- Allow sealant to set for 30-60 minutes



## 7. Install Plumbing Fixtures

---

- Connect drain to sink. Connect trap to drain. Connect water supply connections to faucet according to manufacturer's instructions
- Run water into sink and check for leaks



## Maintenance

---

Clean your sink on a regular basis with warm soapy water. Rinse the sink after using cleaning products. Wipe the sink surface with a soft cloth to remove any liquid residue. Do not cut food directly on the surface of the sink. Do not leave sharp objects on the surface of the sink for an extended period of time. Do not use abrasive cleaning products, sanding tools, steel wool, or bleaching products

### Codes/Standards Applicable:



---

### Kitchen Sink Warranty

Kraus products are manufactured and tested to the highest quality standards by Kraus USA Inc. ("Kraus"). Kraus extends this warranty to the original purchaser for personal household use of the "Kitchen Sink" in its original location. The warranty is non-transferable.

Kraus warrants the structure and finish of the product to be free from defects in material and workmanship under normal usage for the lifetime of the product. The warranty commences from the initial date of purchase by the owner or trade professional, from an authorized Kraus dealer, through the lifetime of the original owner or end-user.

Any product reported to the authorized dealer or to Kraus as being defective within the warranty period will be repaired or replaced with a product of equal value at the option of Kraus. This warranty extends to the original owner or end-user, and is not transferable to a subsequent owner.

### Restrictions

This warranty does not cover antediluvian, discontinued, or display products, whether such items are purchased at discount outlets, unauthorized dealers, and/or sold on clearance.

This warranty does not cover instances of negligence, misuse, abuse, improper installation, carelessness, accident, hard water or mineral deposits, exposure to corrosive materials, misapplication, damages caused by improper maintenance, alteration of the product, or failure to follow care or installation instructions enclosed with your product. Avoid using abrasive cleaners such as powders, bleach, ammonia, alcohol, or chlorine. Avoid using abrasive pads, steel wool, or wire brushes, as these will damage and wear down the finish.

This warranty does not apply to Products that have not been installed or operated in accordance with instructions supplied by Kraus and all applicable rules, regulations, and legislation pertaining to such installations.

This warranty does not apply unless the Kraus product is installed by a fully insured and licensed trade professional. Kraus insists that such professionals have experience in the installation of bathroom and kitchen manufactured goods.

This warranty does not cover labor charges or costs of removal and reinstallation of said product. This warranty does not allow recovery of incidental or consequential damages, such as loss of use, delay, property damage, or other consequential damages, and Kraus accepts no liability for such damages.

**Due to the nature of drain usage, there is no finish warranty on any drain product (including pop-up drains, lavatory drains, and kitchen drains)**

This warranty does not cover Marine or Outdoor Installation.

Except as otherwise provided above, Kraus makes no warranties, expressed or implied, including warranties of merchantability and fitness for a particular purpose, or compliance with any code.

Shipping charges will be covered for the first (1) year of the warranted replacement part or product (HI, AK, and Puerto Rico shipping charges may apply). International shipping fees are not included.

**Commercial Warranty**

Kraus extends the above warranty for a period of one (1) year to purchasers of products for industrial, commercial, and business use.

All incidental or consequential damages are specifically excluded. No additional warranties, express or implied are given, including but not limited to, any implied warranty of merchantability or fitness for a particular purpose.

Some states do not allow the exclusion or limitation of incidental or consequential damages or limitations on how long an implied warranty lasts, so the above limitations or exclusions may not apply to you. This warranty gives you specific legal rights, and you may also have other rights which vary from state to state.

**If you are a homeowner please contact a Kraus Customer Service Representative at:**

Kraus USA, Inc.  
12 Harbor Park Drive  
Port Washington, NY 11050  
Toll-free 800-775-0703  
Customerservice@kraususa.com

**If you are a plumbing contractor or trade professional please contact a Kraus Pro Representative at:**

Kraus USA, Inc.  
12 Harbor Park Drive  
Port Washington, NY 11050  
516-801-8955  
Proservice@kraususa.com

**If you are an Authorized Partner please contact a Partner Support Representative at:**

Kraus USA, Inc.  
12 Harbor Park Drive  
Port Washington, NY 11050  
516-801-8954  
Partnersupport@kraususa.com

**In requesting warranty service, please be ready to provide:**

1. Proof of purchase.
2. A description of the problem.

**REGISTER YOUR PRODUCT TODAY**

**Receive** Proof of Ownership  
**Access** Customer Care & Installation Help  
**Get** Exclusive Kraus Offers & Promotions



Scan to Register Online  
or visit <http://www.kraususa.com/registration>

**We're always looking for ways to improve.**

Please take a moment to share your experience.  
Visit <http://www.kraususa.com/review> to let us know what you think  
about your new Kraus product.

Contact Us to Learn More  
1.800.775.0703 / [www.kraususa.com](http://www.kraususa.com) / [customerservice@kraususa.com](mailto:customerservice@kraususa.com)  
Like & Follow KrausUSA

Download the Kraus Care & Maintenance Guide at:  
<http://www.kraususa.com/maintenance>



**Kräus**<sup>®</sup>

[www.kraususa.com](http://www.kraususa.com)



**Kräus®**

INSTALLATION MANUAL

**Oletto™ Single Lever Pull Down  
Kitchen Faucet  
KPF-2620**

## Thank you for your purchase

We would like to take this opportunity to thank you for choosing Kraus. We hope that you are completely satisfied with your purchase, and enjoy it for years to come. If you have any questions, or require technical assistance, please contact us at 800.775.0703 and one of our representatives will be happy to help.

For more information about Kraus products, please visit:

**[www.kraususa.com](http://www.kraususa.com)**

In order to activate your warranty and get faster access to customer support, please register your new Kraus product at:

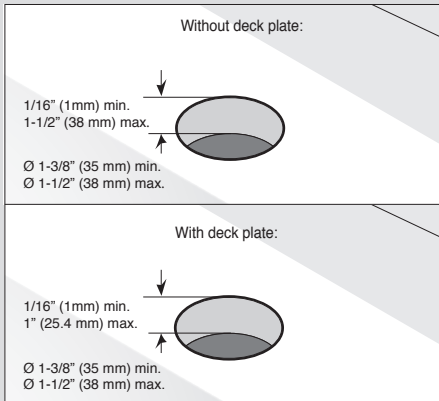
**[www.kraususa.com/registration](http://www.kraususa.com/registration)**

*Sincerely,*

*Kraus USA Customer Service*

## Prior to Installation:

- Make sure you have all necessary parts by checking the diagram and parts list. If any part is missing or damaged, please contact Kraus Customer Service at 800-775-0703 for a replacement
- Turn off the hot and cold water supply at the angle stops and turn on the old faucet to release any built up pressure. Remove existing faucet. Clean sink or countertop to remove any debris, plumber's putty, or silicone
- Place bucket under angle stops. Turn on to flush any debris prior to installing new plumbing. Shut off angle stops
- Pre-drilled hole size requirement: 1-3/8" (min) – 1-1/2" (max)
- Max countertop thickness without deck plate: 1-1/2"
- Max countertop thickness with deck plate: 1"
- 1, 2, or 3 hole installation



## Tools you will need:



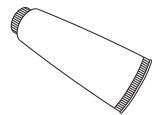
Adjustable Wrench



Safety Goggles

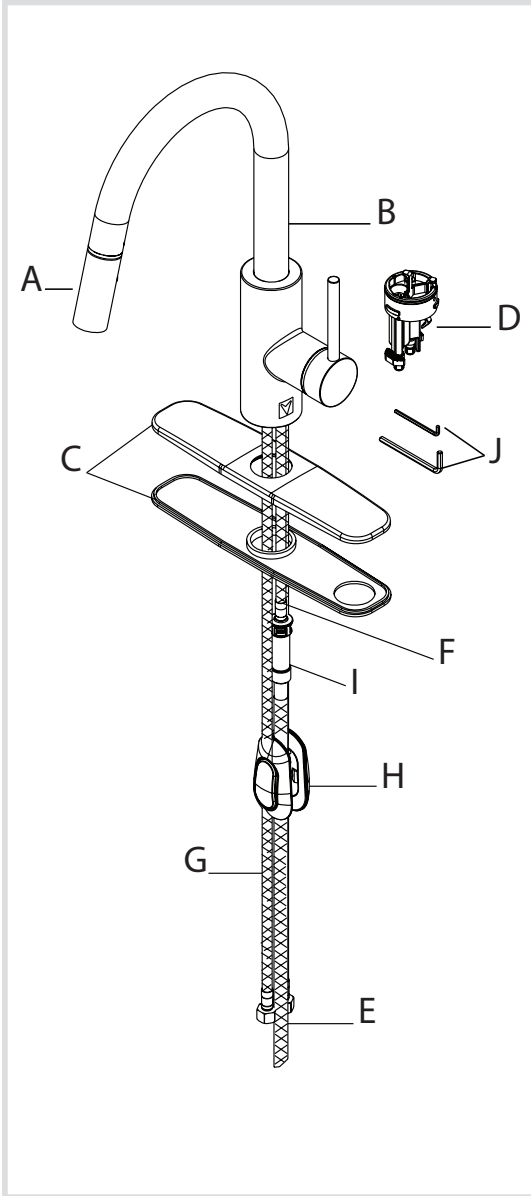


Bucket



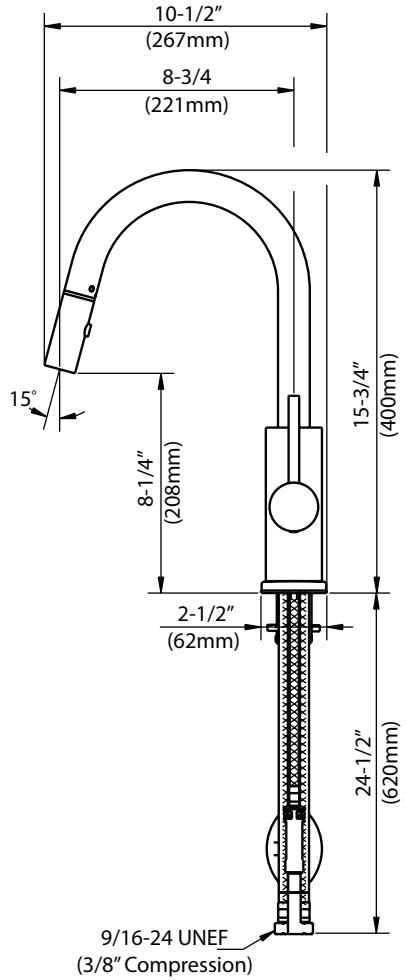
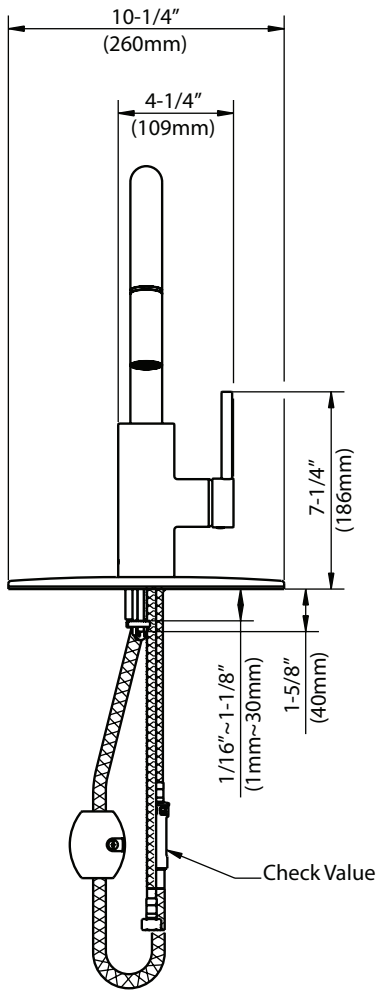
Silicone Sealant

## Diagram and Parts List



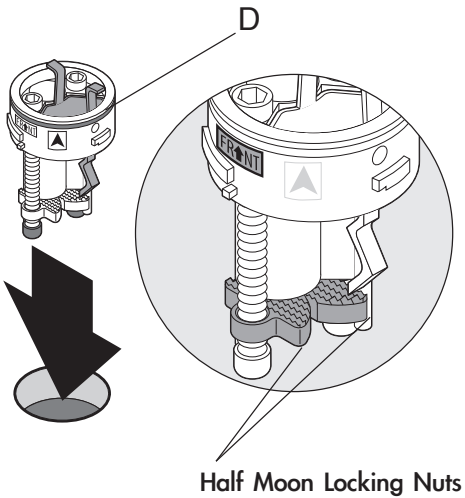
- A. Spray Head
- B. Faucet Body
- C. Deck & Putty Plate
- D. Base
- E. Spray Hose
- F. Supply Hose
- G. Hot & Cold Waterlines
- H. Weight
- I. Quick Connect
- J. Hex Wrench Set
  - J1. 2.5mm
  - J2. 4mm

# Faucet Dimensions



## Step 1A: Install base without deck & putty plate

---

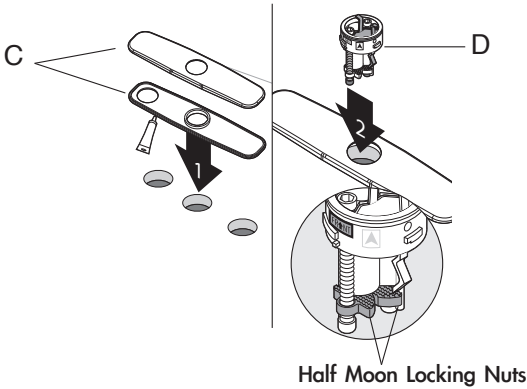


Insert base (D) into sink or countertop with “FR↑NT” facing forward. Tighten screws on base (D) with 4mm hex wrench (J) until base is secure on sink or countertop

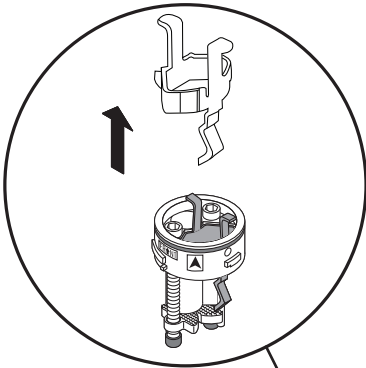
**Installer Tip:** Rotate the two half-moon shaped locking nuts inward before inserting base (D) into sink or countertop

## Step 1B: Install base with deck & putty plate

---



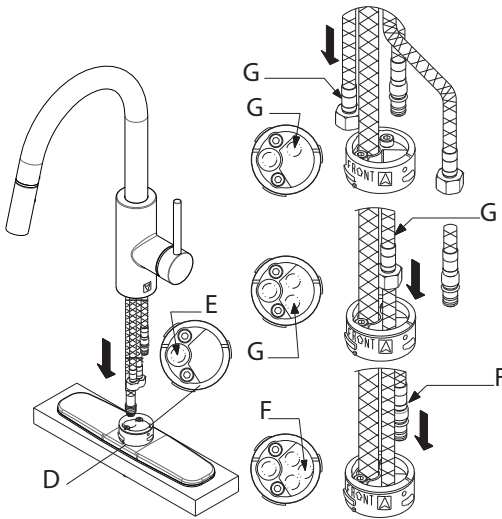
Place a bead of clear silicone sealant (not included) around the edge of the putty plate (C). Secure deck & putty plate (C) on sink or countertop. Insert base (D) into hole of deck & putty plate (C) with "FR↑NT" facing forward. Tighten screws on base (D) with 4mm hex wrench (J) until base is secure on deck & putty plate (C)



**Installer Tip:** Rotate the two half-moon shaped locking nuts inward before inserting base (D) into deck plate (C)

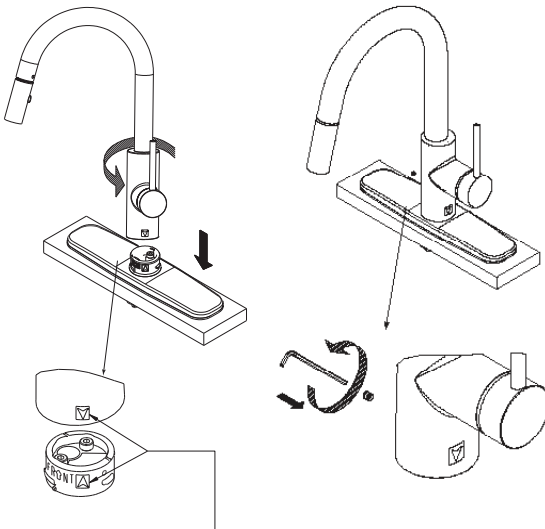
**Please Note:** After base (D) is secure, remove clip

## Step 2: Install faucet



Remove Quick Connect (I) from spray hose (E). Insert spray hose (E) into small hole of base (D). Insert hot & cold waterlines and supply hose (F), one by one, in large hole of base

## Step 3: Secure faucet



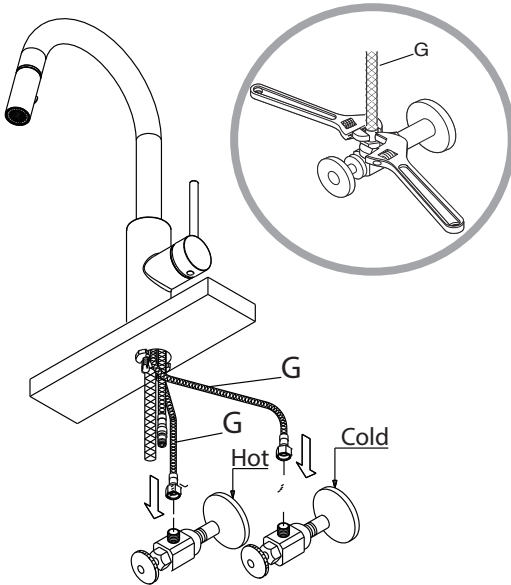
Align arrow on faucet body (B) with arrow on base (D). Attach faucet body (B) to base (D) and turn counter-clockwise. Secure faucet body (B) by tightening the set screw with 2.5mm hex wrench (J)

**Installer Tip:** Please loosen set screw from faucet body (B) prior to securing to base (D)

**Note:** "▲" on base should be in alignment with "▼" on faucet body. Rotate faucet counterclockwise to secure on base.



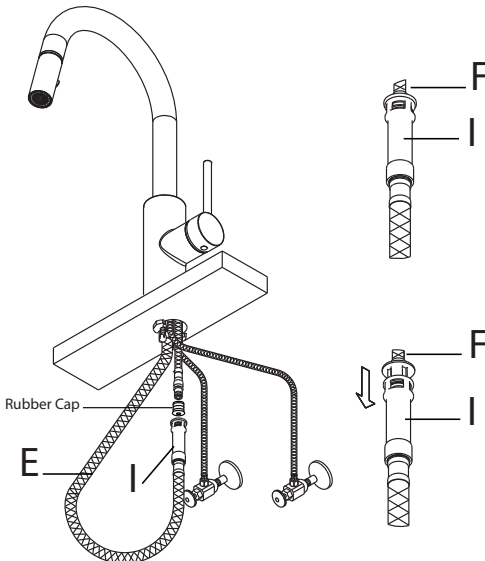
## Step 4: Connect waterlines to main valve



Thread hot & cold waterlines (G) onto angle stops. Tighten with adjustable wrench until snug. Turn on the angle stops and check for leaks (DO NOT TURN FAUCET ON)

**Installer Tip:** Use two wrenches when securing waterlines to angle stops to prevent kinking, as shown in picture

## Step 5: Connect quick connect



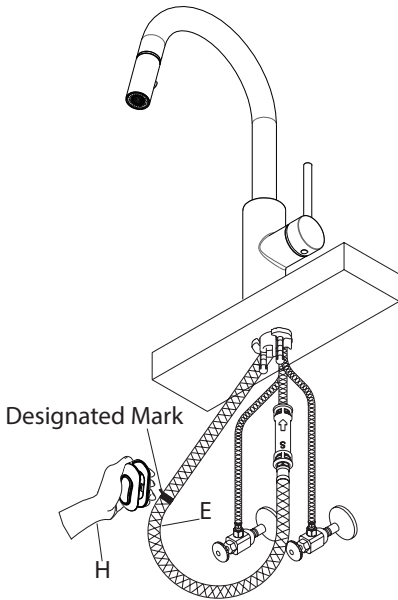
Attach Quick Connect (I) to spray hose (E). Attach the other end onto the supply hose (F) until you hear a click

**Installer Tip:** Please remove rubber cap from supply hose (F) prior to installing quick connect (I)

**Installer Tip:** Tug on the spray hose (E) moderately to ensure connection is secure

## Step 6: Install weight

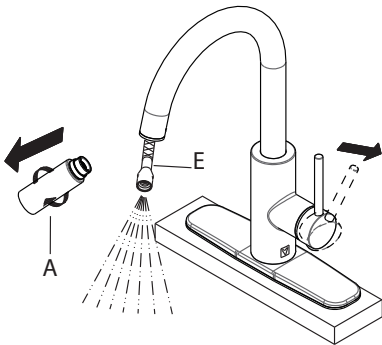
---



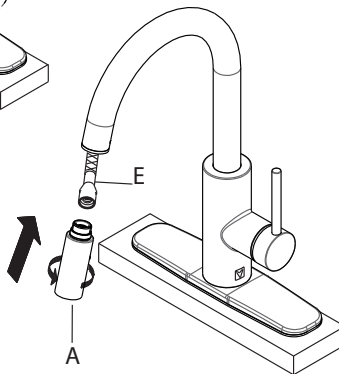
Attach weight (H) on the designated mark on the spray hose (E)

## Step 7: Flush faucet

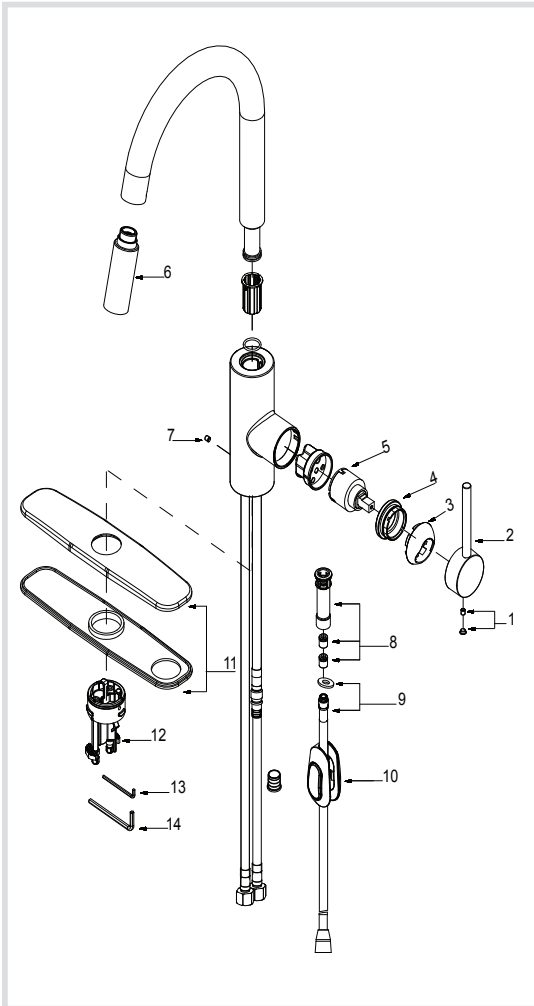
---



Remove spray head (A). Hold tip of spray hose (E). Turn faucet on for 1 minute to flush any debris. Reconnect spray head (A)



## Replacement Part List



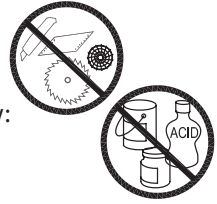
1. A Index Button  
B Set Screw
2. Metal Handle
3. Cartridge Cover
4. Locking Nut
5. Cartridge
6. Spray Head
7. Set Screw
8. Quick Connect Assembly
9. Spray Hose
10. Weight
11. Cover & Putty Plate
12. Base
13. Hex Wrench 2.5mm
14. Hex Wrench 4mm

## Trouble - Shooting

If you have followed the instructions carefully and your faucet still does not work properly, take the following corrective steps:

PROBLEM	CAUSE	ACTION
Leaking from spray hose	Quick Connect (8) may be installed incorrectly	Remove Quick Connect (8) from spray hose (9) and reinstall. Make sure you hear a click when you install it on the spray hose (9)
Water will not shut off completely	Cartridge (5) may need to be adjusted or replaced	Remove index button (1A). Loosen set screw (1B) with 2.5mm hex wrench (13). Remove metal handle (2). Remove cartridge cover (3) by hand only. Remove locking nut (4) with an adjustable wrench. Remove ceramic disc cartridge (5). Check for cracks
Hose does not retract	Weight (10) may be installed incorrectly	Readjust weight (10) on the hose (9). Make sure it is installed on the designated mark on the hose (9)
Low flow	Quick Connect (8) may be clogged with debris	Remove Quick Connect (8) from hoses. Soak in 50/50 solution of warm water and vinegar for 5 minutes, then reinstall

# Care & Maintenance



\*To keep the product clean & shining, follow the steps below:

1. Rinse with clean water & dry with a soft cloth
2. Do not clean with soaps, acid, polish, abrasives, or harsh cleaners
3. Do not use cloth with a coarse surface
4. Unscrew the aerator and clean when necessary

\*This installation manual is subject to change without further notice.

**Download the Kraus Care & Maintenance Guide at:**

<http://www.kraususa.com/maintenance>

## Codes/Standards Applicable:



NSF/ANSI Standard 61 certified by IAPMO  
NSF/ANSI Standard 372 certified by IAPMO



Meets ASME A112.18.1M/A112.18.1  
1.75GPM 6.6L/min maximum

## HELP LINE

---

Our customer service hours are Monday – Friday, 9am – 8pm EST.  
Be sure to visit our website at [www.kraususa.com](http://www.kraususa.com)

### **If you are a homeowner please contact a Kraus Customer Service Representative at:**

Kraus USA, Inc.  
12 Harbor Park Drive  
Port Washington, NY 11050  
Toll-free 800-775-0703  
[Customerservice@kraususa.com](mailto:Customerservice@kraususa.com)

### **If you are a plumbing contractor or trade professional please contact a Kraus Pro Representative at:**

Kraus USA, Inc.  
12 Harbor Park Drive  
Port Washington, NY 11050  
516-801-8955  
[Proservice@kraususa.com](mailto:Proservice@kraususa.com)

### **If you are an Authorized Partner please contact a Partner Support Representative at:**

Kraus USA, Inc.  
12 Harbor Park Drive  
Port Washington, NY 11050  
516-801-8954  
[Partnersupport@kraususa.com](mailto:Partnersupport@kraususa.com)

### **In requesting warranty service, please be ready to provide:**

1. Proof of purchase.
2. A description of the problem.

**Kräus**<sup>®</sup>

[www.kraususa.com](http://www.kraususa.com)

**REGISTER YOUR PRODUCT TODAY**

**Receive** Proof of Ownership  
**Access** Customer Care & Installation Help  
**Get** Exclusive Kraus Offers & Promotions



Scan to Register Online  
or visit <http://www.kraususa.com/registration>

**We're always looking for ways to improve.**

Please take a moment to share your experience.  
Visit <http://www.kraususa.com/review> to let us know what you think  
about your new Kraus product.

Contact Us to Learn More  
1.800.775.0703 / [www.kraususa.com](http://www.kraususa.com) / [customerservice@kraususa.com](mailto:customerservice@kraususa.com)  
Like & Follow KrausUSA

Download the Kraus Care & Maintenance Guide at:  
<http://www.kraususa.com/maintenance>



**Kräus**<sup>®</sup>

[www.kraususa.com](http://www.kraususa.com)