



# **Stainless Steel Farmhouse Kitchen Sink**

KHF200-30 / KHF200-33 / KHF200-36  
KHF203-33 / KHF203-36  
KHF204-33

## Thank you for your purchase

We would like to take this opportunity to thank you for choosing Kraus. We hope that you are completely satisfied with your purchase, and enjoy it for years to come. If you have any questions, or require technical assistance, please contact us at 800.775.0703 and one of our representatives will be happy to help.

For more information about Kraus products, please visit:

**[www.kraususa.com](http://www.kraususa.com)**

In order to activate your warranty and get faster access to customer support, please register your new Kraus product at:

**[www.kraususa.com/registration](http://www.kraususa.com/registration)**

*Sincerely,*

*Kraus USA Customer Service*

## **Prior to Installation:**

- Inspect the sink prior to installation to make sure the sink has not been damaged during shipping
- Use the cut-out template provided by Kraus
- Observe all plumbing and building codes according to your state requirement
- Additional floor and wall preparation may be required to avoid damaging the product
- Make sure to purchase the correct cabinet for your farmhouse sink. Farmhouse base cabinets should be 3" larger than the actual size of the sink
- Not recommended to be installed with laminate countertop

**For technical assistance or replacement parts, please contact Kraus**

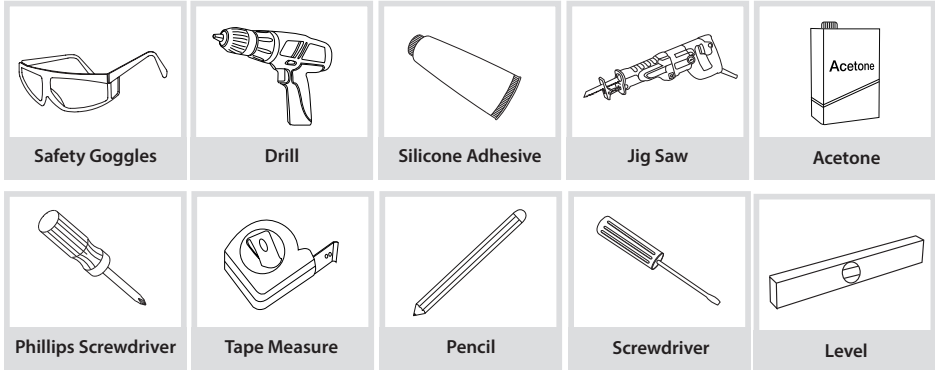
**Customer Service and one of our representatives will be happy to help:**

Toll-Free: 800-775-0703 or [Customerservice@kraususa.com](mailto:Customerservice@kraususa.com)

The step-by-step guidelines in the installation instructions are a general reference for installing a Kraus Sink. Should there be any discrepancies, Kraus cannot be held liable. It is recommended to install all Kraus products by hiring a licensed professional.

## Tools you will need:

---



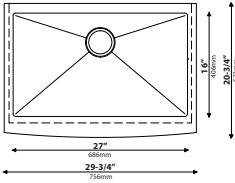
**NOTE:** Specialized tools may be necessary to install Kraus Stainless Steel Undermount sinks with countertop materials other than wood, marble, or granite

## Parts List

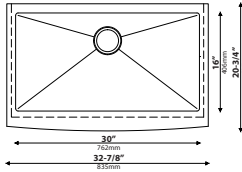
---

- Cut-Out Template
- Bottom Grids
- 1 Drain - BST-1 for Single Bowl
- 2 Drains – BST-1 & ST-1 for Double Bowls

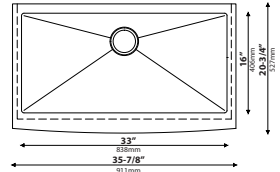
# Dimensions



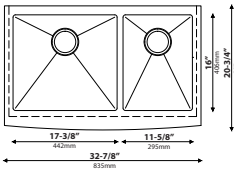
**KHF200-30**  
 29 3/4" x 20 3/4" x 10"  
 Min Cabinet Size: 30"  
 Matching Grid: KBG-200-30  
 Drain Model #: BST-1



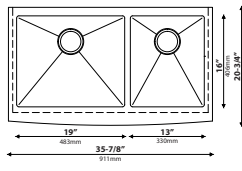
**KHF200-33**  
 32 7/8" x 20 3/4" x 10"  
 Min Cabinet Size: 33"  
 Matching Grid: KBG-200-33  
 Drain Model #: BST-1



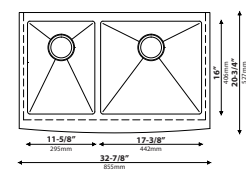
**KHF200-36**  
 35 7/8" x 20 3/4" x 10"  
 Min Cabinet Size: 36"  
 Matching Grid: KBG-200-36  
 Drain Model #: BST-1



**KHF203-33**  
 32 7/8" x 20 3/4" x 10"  
 Min Cabinet Size: 33"  
 Matching Grid: KBG-200-33-1  
 and KBG-200-33-2  
 Drain Model #: BST-1 & ST-1



**KHF203-36**  
 35 7/8" x 20 3/4" x 10"  
 Min Cabinet Size: 36"  
 Matching Grid: KBG-200-36-1  
 and KBG-200-36-2  
 Drain Model #: BST-1 & ST-1



**KHF204-33**  
 32 7/8" x 20 3/4" x 10"  
 Min Cabinet Size: 33"  
 Matching Grid: KBG-204-33-1  
 and KBG-204-33-2  
 Drain Model #: BST-1 & ST-1

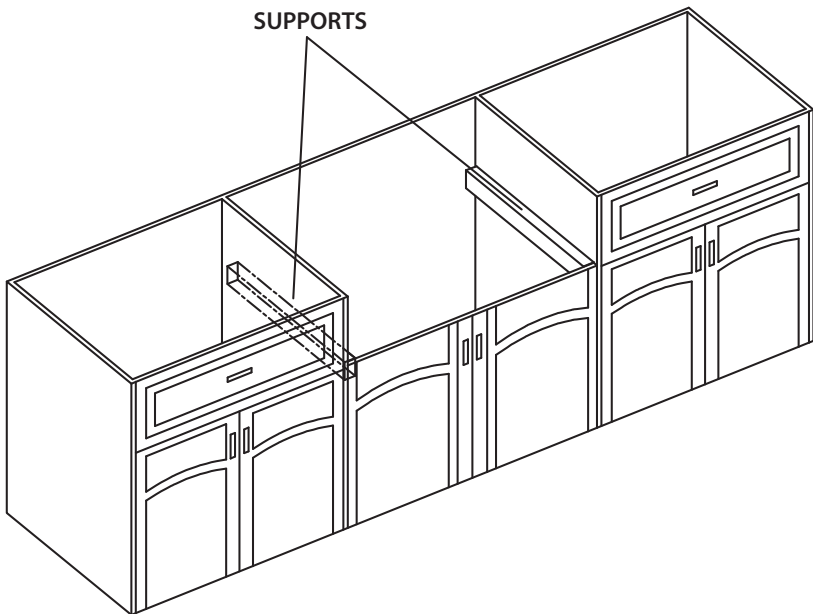
# 1. Measure & Build Supports

---

- Measure the actual height of apron
- Build supports on inside of cabinet based on sink measurements

**Installer Tip:** Support Options

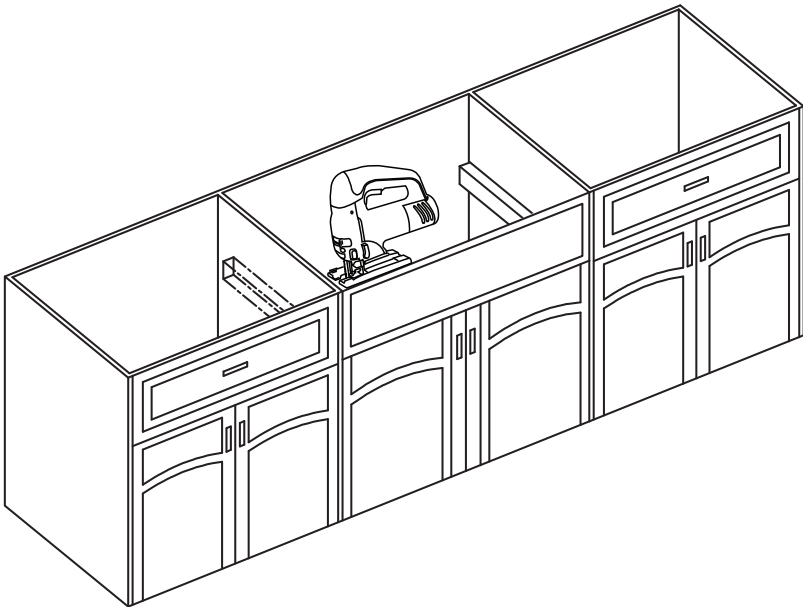
- 1 ¼" Angle Irons
- (2) 2" x 4'
- ¾" Plywood



## 2. Cut Cabinet Front

---

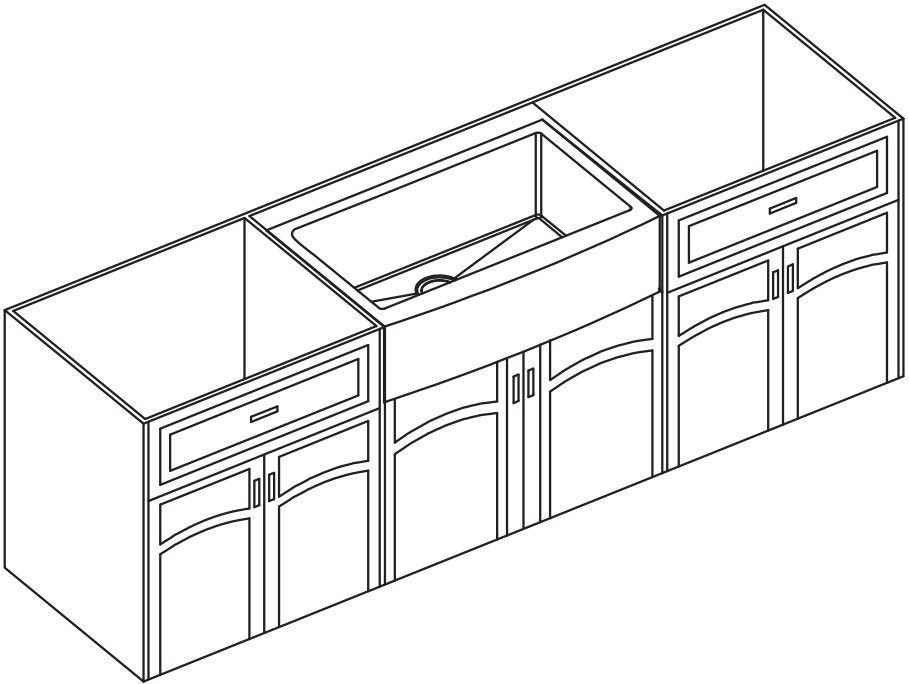
- Measure height of apron front. Add 1/16" to the dimension when you mark base cabinet front cutout. Use jigsaw to cut



### 3. Install Sink

---

- Place sink in opening. The weight of sink should be sustained by the built supports
- Make sure sink is leveled from front to back and side to side
- Uses silicone to fill in gaps where necessary



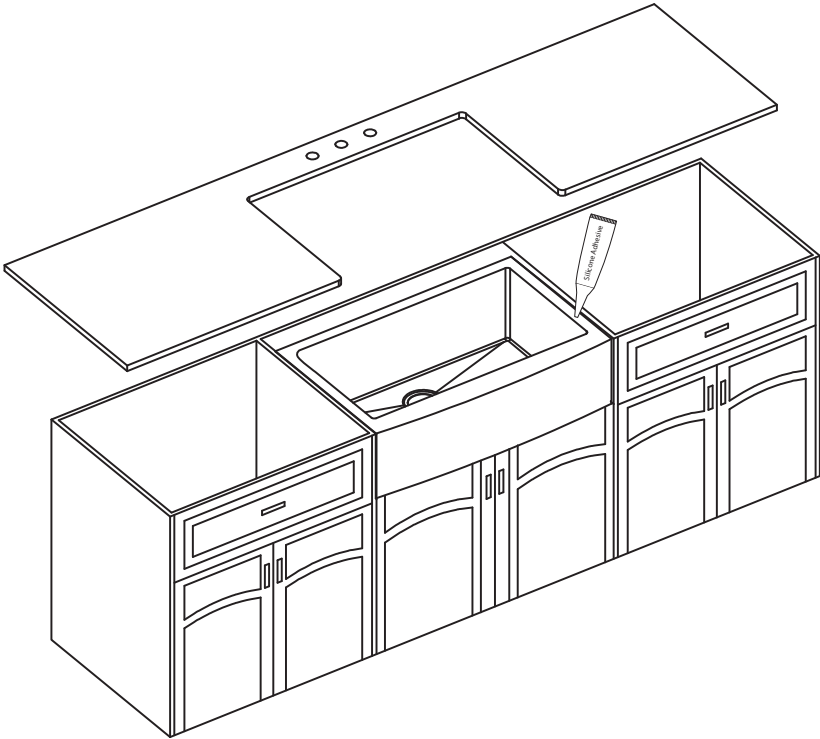


## 4. Cut Countertop

---

- Use a bead of silicone (or preferred adhesive) around the rim of the sink. Check the alignment of the sink to the cutout in the countertop. Place countertop cutout hole over sink and press firmly

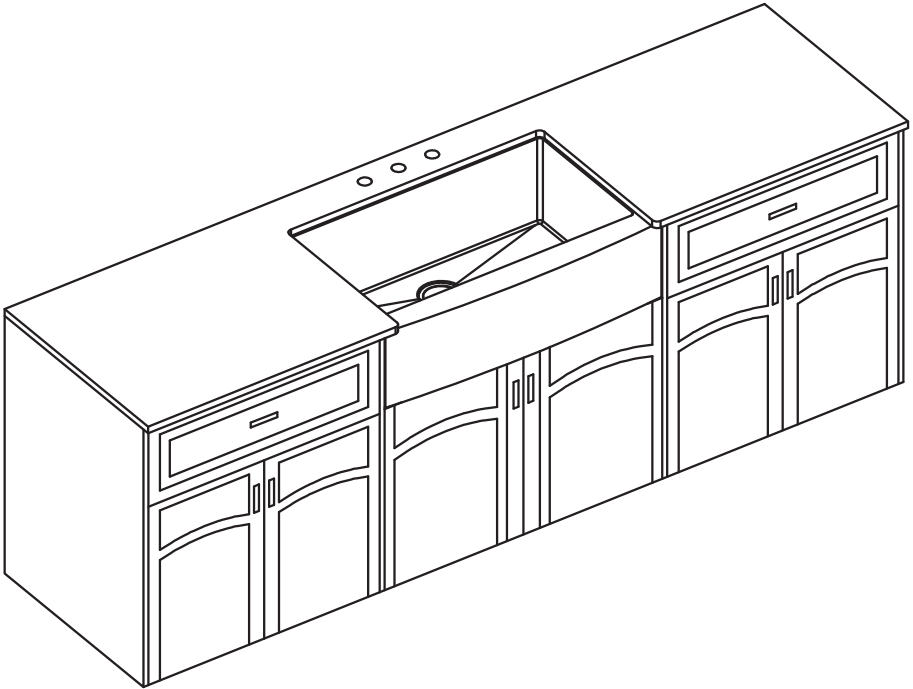
**Installer Tip:** Use acetone or denatured alcohol to remove any excess sealant



## 5. Installing Plumbing Fixtures

---

- Connect drain, trap to drain and water supply connections to the faucet according to manufacturer's instruction.
- Run water into sink and check for leaks



## Codes/Standards Applicable:



## HELP LINE

---

Our customer service hours are Monday – Friday, 9am – 8pm EST.

Be sure to visit our website at [www.kraususa.com](http://www.kraususa.com)

### **If you are a HOMEOWNER please contact a Kraus Customer Service Representative at:**

Kraus USA, Inc.  
12 Harbor Park Drive  
Port Washington, NY 11050  
Toll-free 800-775-0703  
[Customerservice@kraususa.com](mailto:Customerservice@kraususa.com)

### **If you are a PLUMBING CONTRACTOR OR TRADE PROFESSIONAL please contact a Kraus Pro Representative at:**

Kraus USA, Inc.  
12 Harbor Park Drive  
Port Washington, NY 11050  
516-801-8955  
[Proservice@kraususa.com](mailto:Proservice@kraususa.com)

### **If you are an AUTHORIZED PARTNER please contact a Partner Support Representative at:**

Kraus USA, Inc.  
12 Harbor Park Drive  
Port Washington, NY 11050  
516-801-8954  
[Partnersupport@kraususa.com](mailto:Partnersupport@kraususa.com)

### **In requesting warranty service, please be ready to provide:**

1. Proof of purchase.
2. A description of the problem.

# IMPORTANT

## Register Your Kraus Product

**Activate** Your Warranty

**Access** Premium Customer Support

**Get** Product Information

**REGISTER TODAY**

<http://www.kraususa.com/registration>



**Kräus**<sup>®</sup>  
www.kraususa.com

# **Kräus**<sup>®</sup>

INSTALLATION MANUAL

## **Oletto<sup>™</sup> Single Handle Commercial Style Kitchen Faucet**

KPF-2631

## **Congratulations on the purchase of your new Kraus plumbing fixture!**

Please keep the box and packaging materials until your product is completely installed. If you have any questions, require technical assistance, or have any problems with your product:



**DO NOT RETURN TO STORE**

**Please contact our Customer Service Team**

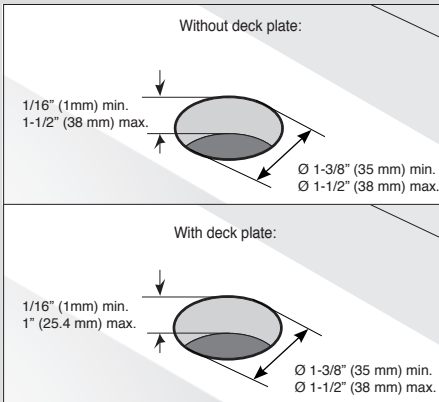
**1-800-775-0703 / [customerservice@kraususa.com](mailto:customerservice@kraususa.com)**

Have the model number available, and retain a copy of your receipt with purchase date for reference.

If for any reason this product does not meet your expectations, please be sure to repack this product in the original box and packaging material to avoid damage during transit.

## Prior to Installation:

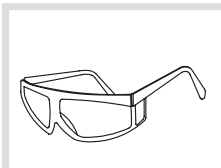
- Make sure you have all necessary parts by checking the diagram and parts list. If any part is missing or damaged, please contact Kraus Customer Service at 800-775-0703 for a replacement
- Turn off the hot and cold water supply at the angle stops and turn on the old faucet to release any built up pressure. Remove existing faucet. Clean sink or countertop to remove any debris, plumber's putty, or silicone
- Place bucket under angle stops. Turn on to flush any debris prior to installing new plumbing. Shut off angle stops
- Pre-drilled hole size requirement: 1-3/8" (min) – 1-1/2" (max)
- Max countertop thickness without deck plate: 1-1/2"
- Max countertop thickness with deck plate: 1"
- 1, 2, or 3 hole installation



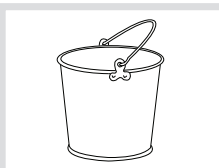
## Tools you will need:



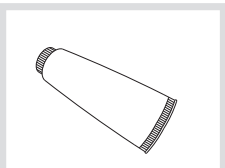
Adjustable Wrench



Safety Goggles

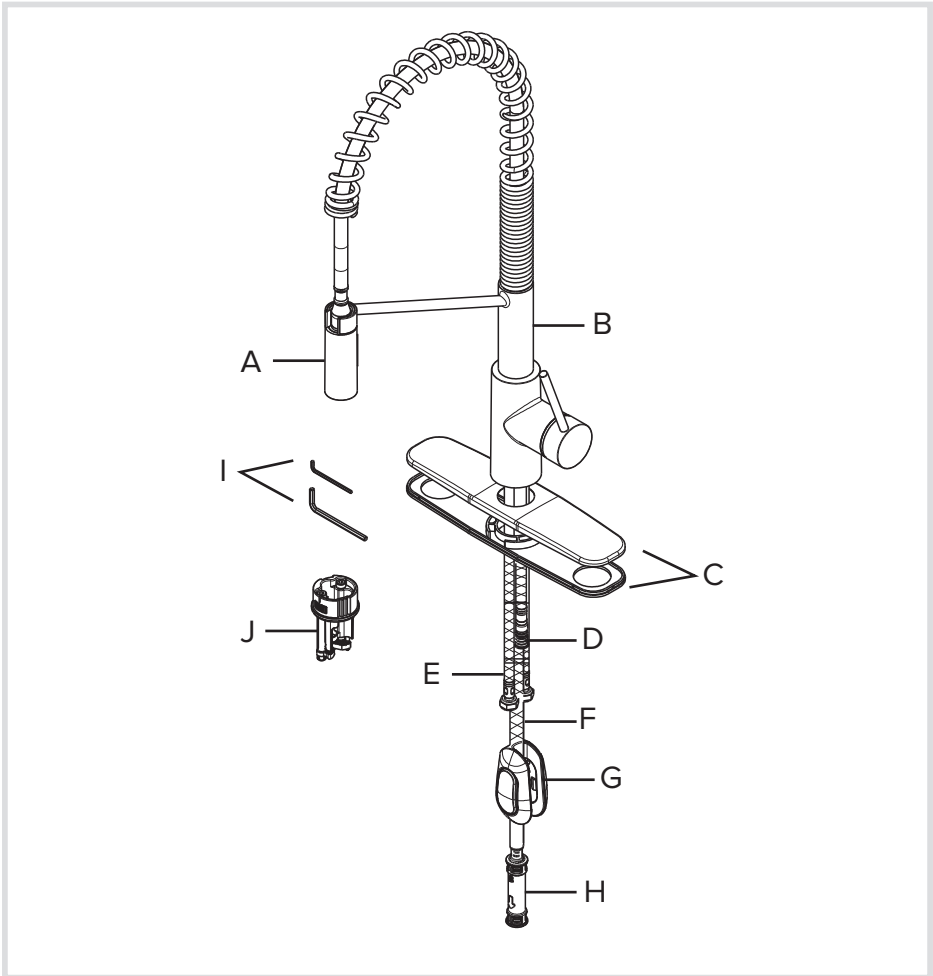


Bucket



Silicone Sealant

## Diagram and Parts List



A. Spray Head

B. Faucet Body

C. Deck & Putty Plate

D. Supply Hose

E. Hot & Cold Waterlines

F. Spray Hose

G. Weight

H. Quick Connect

I. Hex Wrench

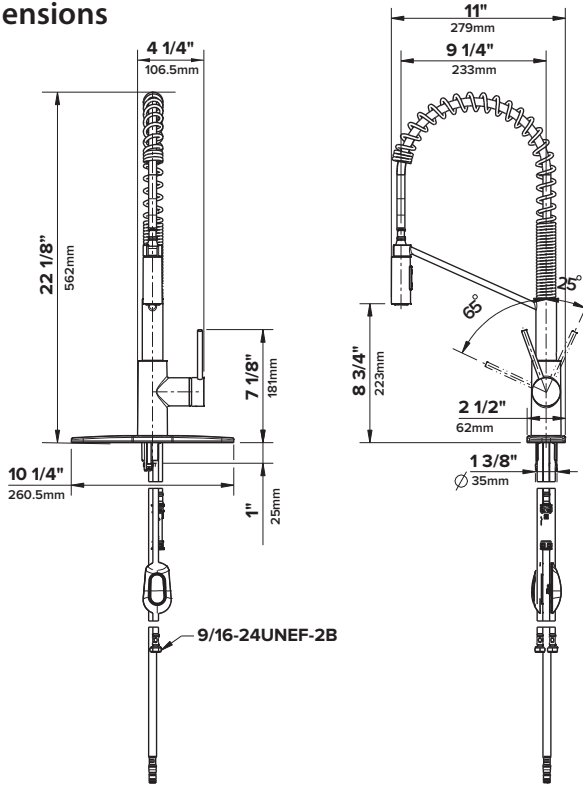
i1. 2.5mm

i2. 4mm

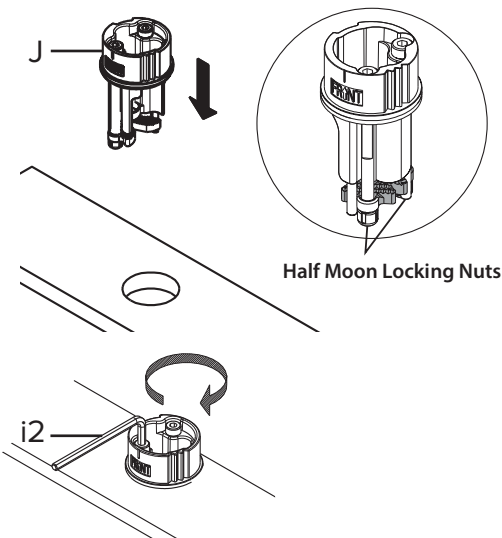
J. Base



## Faucet Dimensions



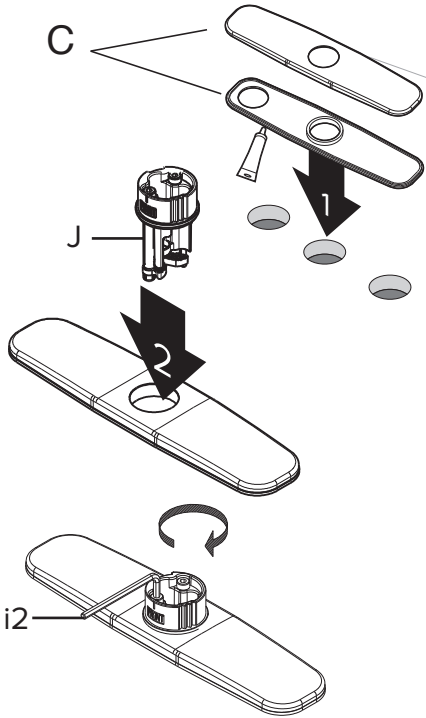
## Step 1A: Install base without deck & putty plate



Insert base (J) into sink or countertop with "FR↑NT" facing forward. Tighten screws on base (J) with 4mm hex wrench (i2) until base is secure on sink or countertop

**Installer Tip:** Rotate the two half-moon shaped locking nuts inward before inserting base (J) into sink or countertop

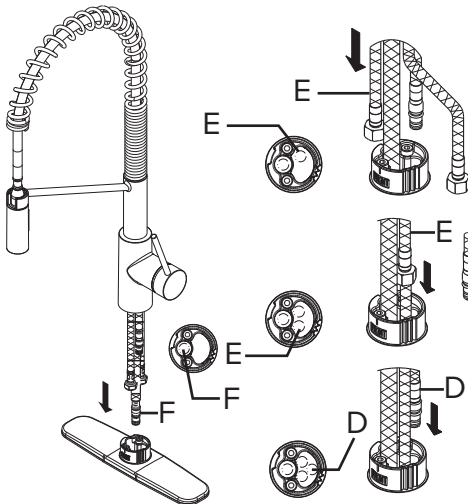
## Step 1B: Install base with deck & putty plate



Place a bead of clear silicone sealant (not included) around the edge of the putty plate (C). Secure deck & putty plate (C) on sink or countertop. Insert base (J) into hole of deck & putty plate (C) with "FR↑NT" facing forward. Tighten screws on base (J) with 4mm hex wrench (i2) until base is secure on deck & putty plate (C)

**Installer Tip:** Rotate the two half-moon shaped locking nuts inward before inserting base (J) into deck plate (C)

## Step 2: Install faucet



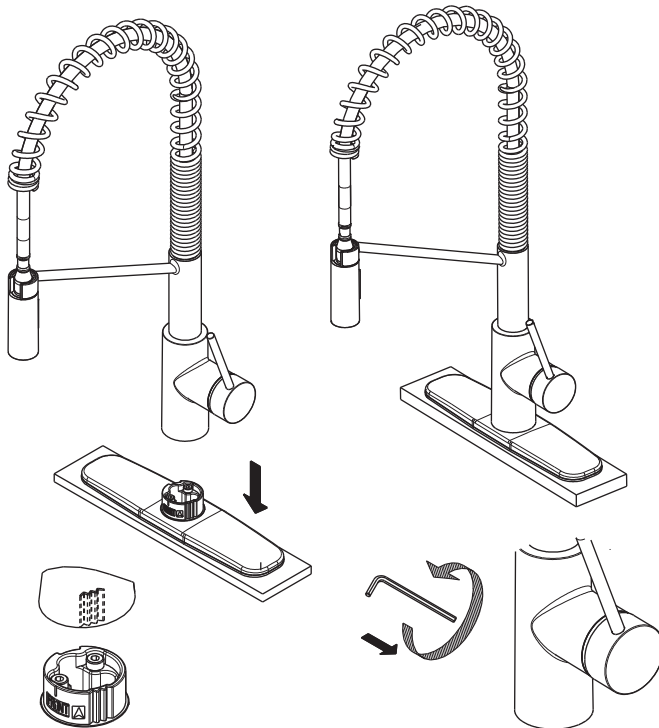
Remove Quick Connect (H) from spray hose (F). Insert spray hose (F) into small hole of base (J). Insert hot & cold waterlines (E) and supply hose (D), one by one, in large hole of base

### Step 3: Secure faucet

---

Align arrow on faucet body (B) with arrow on base (J). Attach faucet body (B) to base (J). Secure faucet body (B) by tightening the set screw with 2.5mm hex wrench (i1)

**Installer Tip:** Please loosen set screw from faucet body (B) prior to securing to base (J)

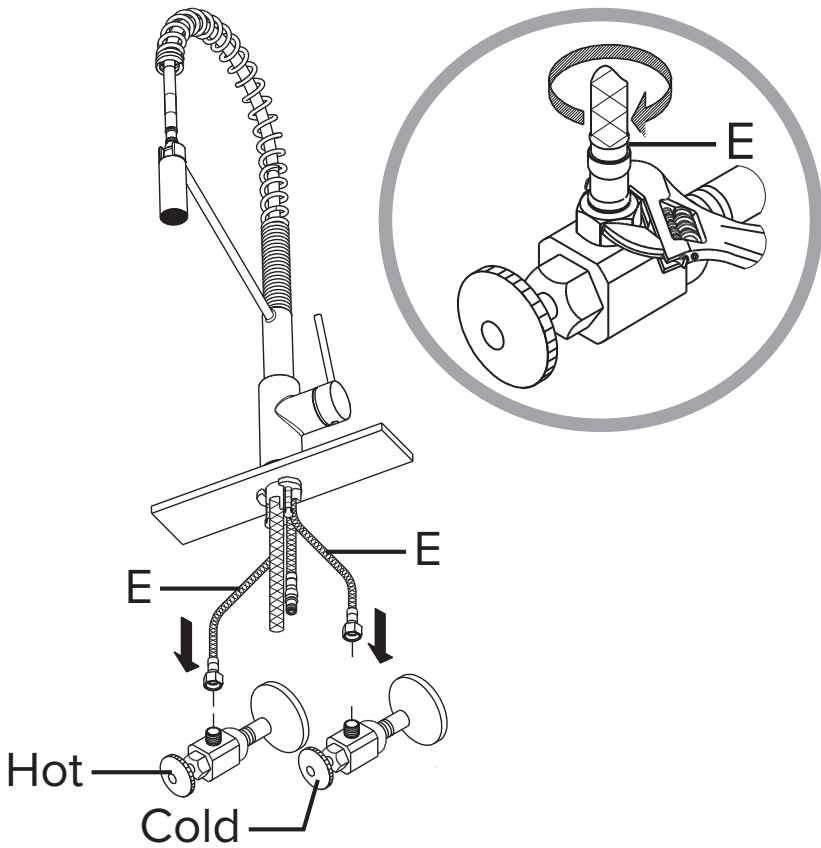


**Note:** “▲” on base should be in alignment with “▼” on faucet body.

## Step 4: Connect waterlines to main valve

Thread hot & cold waterlines (E) onto angle stops. Tighten with adjustable wrench until snug. Turn on the angle stops and check for leaks (DO NOT TURN FAUCET ON)

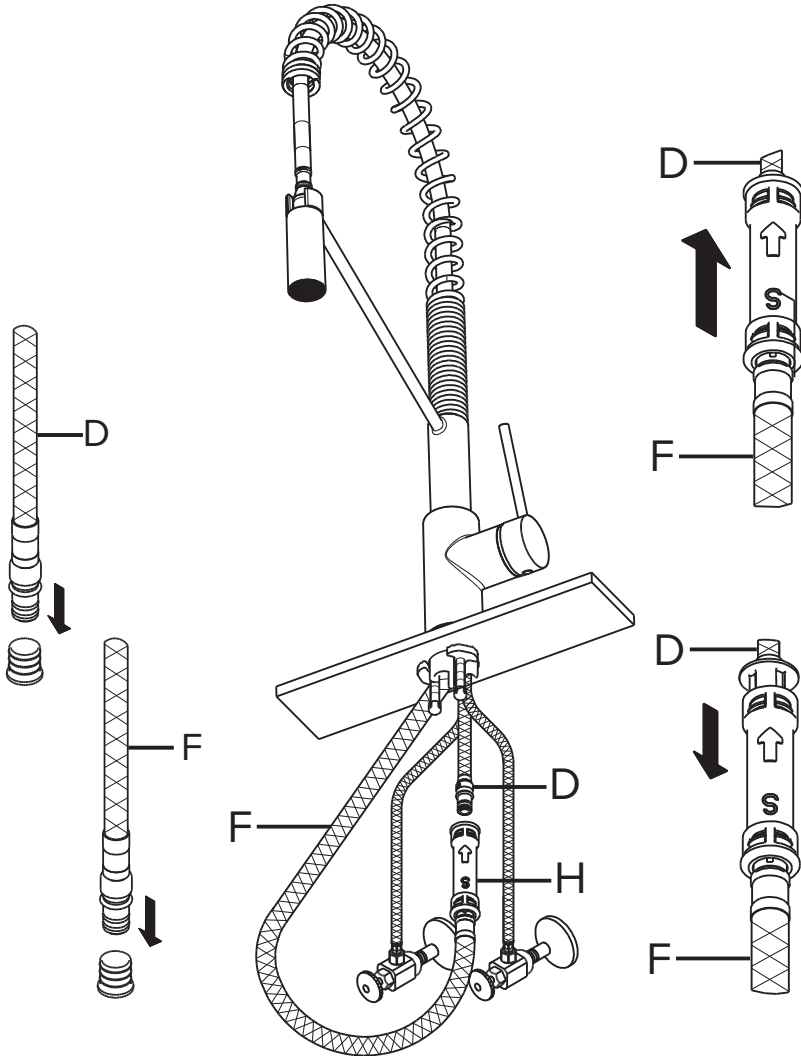
**Installer Tip:** Use two wrenches when securing waterlines to angle stops to prevent kinking, as shown in picture



## Step 5: Connect quick connect

Attach Quick Connect (H) with black end onto spray hose (F) until you hear a click. Attach the other end onto the supply hose (D) until you hear a click.

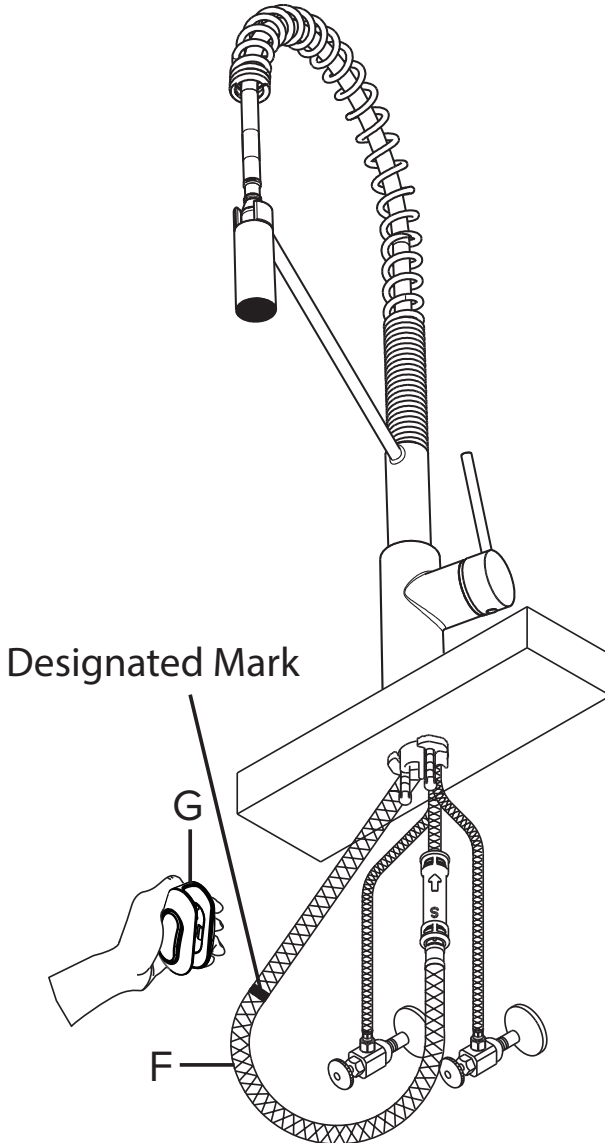
**Installer Tip:** Remove the plastic caps from the supply hose D and spray hose F prior to attach the quick connect



## Step 6: Install Weight

---

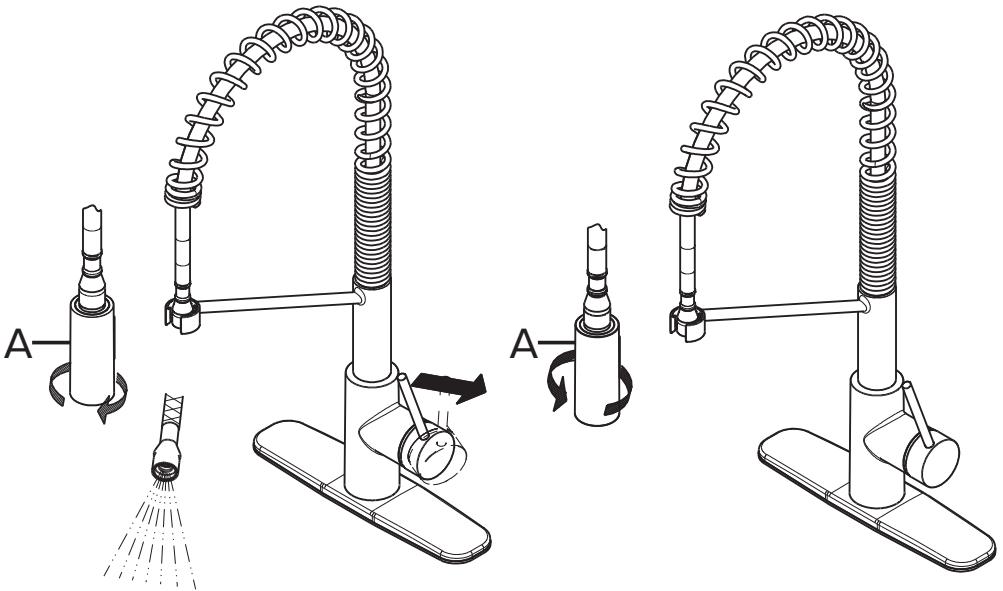
Attach weight (G) on the designated mark on the spray hose (F)



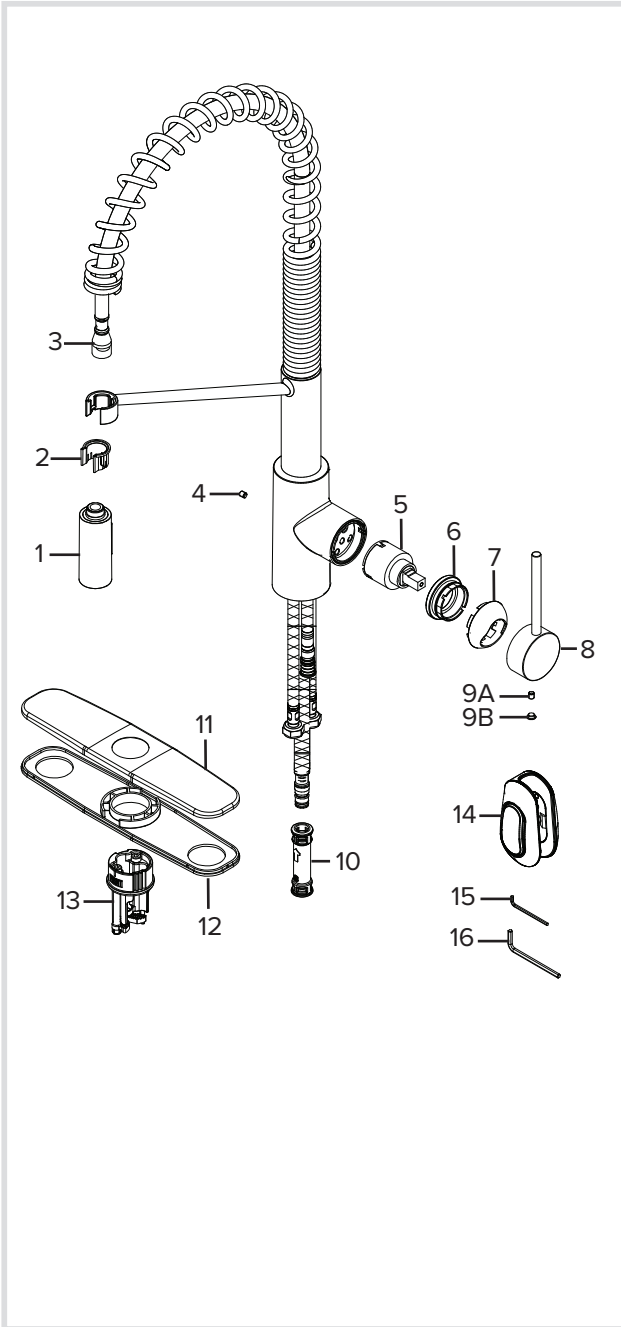
## Step 7: Flush Faucet

---

Remove spray head (A). Hold tip of spray hose. Turn faucet on for 1 minute to flush any debris. Reconnect spray head (A)



# Replacement Part List



1. Spray Head
2. Plastic Sleeve
3. Spray Hose
4. Set Screw
5. Cartridge
6. Locking Nut
7. Cartridge Cover
8. Metal Handle
9. A Index Button  
B Set Screw
10. Quick Connect Assembly
11. Cover Plate
12. Putty Plate
13. Base
14. Weight
15. Hex Wrench (2.5mm)
16. Hex Wrench (4mm)



## Trouble - Shooting

If you have followed the instructions carefully and your faucet still does not work properly, take the following corrective steps:

PROBLEM	CAUSE	ACTION
Water will not shut off completely	Cartridge(5) may need to be adjusted or replaced	Remove index button (9B). Loosen set screw (9A) with 2.5mm hex wrench (15). Remove metal handle (8). Remove cartridge cover (7) by hand only. Remove locking nut (6) with an adjustable wrench. Remove ceramic disc cartridge (5). Check for cracks
Leaking from between spray head and hose	Washer may be missing or not seated correctly in hose	Make sure washer is present and seated correctly in hose

## Care & Maintenance

\*To keep the product clean & shining, follow the steps below:

1. Rinse with clean water & dry with a soft cloth
2. Do not clean with soaps, acid, polish, abrasives, or harsh cleaners
3. Do not use cloth with a coarse surface
4. Unscrew the aerator and clean when necessary



\*This installation manual is subject to change without further notice.

**Download the Kraus Care & Maintenance Guide at:**

<http://www.kraususa.com/maintenance>

## Codes/Standards Applicable:



NSF/ANSI Standard 61 certified by IAPMO  
NSF/ANSI Standard 372 certified by IAPMO



Meets ASME A112.18.1M/A112.18.1  
1.75GPM 6.6L/min maximum

---

### FAUCET WARRANTY

Kraus products are manufactured and tested to the highest quality standards by Kraus USA Inc. ("Kraus"). Kraus extends this warranty to the original purchaser for personal household use of the "Faucet" in its original location. The warranty is non-transferable.

Kraus warrants the structure and finish of the product to be free from defects in material and workmanship under normal usage for the lifetime of the product. The warranty commences from the initial date of purchase by the owner or trade professional, from an authorized Kraus dealer, through the lifetime of the original owner or end-user.

Kraus warrants the mechanical component (**sprayhead assembly**) of the product to be free from defects in material and workmanship under normal usage for a period of one (1) year. The warranty commences from the initial date of purchase by the owner or trade professional, from an authorized Kraus dealer, through the one (1) year term of the original owner or end-user.

Kraus warrants the mechanical component (**cartridge**) of the product to be free from defects in material and workmanship under normal usage for a period of five (5) years. The warranty commences from the initial date of purchase by the owner or trade professional, from an authorized Kraus dealer, through the five (5) year term of the original owner or end-user.

Any product reported to the authorized dealer or to Kraus as being defective within the warranty period will be repaired or replaced with a product of equal value at the option of Kraus. This warranty extends to the original owner or end-user, and is not transferable to a subsequent owner.

### RESTRICTIONS

This warranty does not cover antediluvian, discontinued, or display products, whether such items are purchased at discount outlets, unauthorized dealers, and/or sold on clearance. This warranty does not cover instances of negligence, misuse, abuse, improper installation, carelessness, accident, hard water or mineral deposits, exposure to corrosive materials, misapplication, damages caused by improper maintenance, alteration of the product, or failure to follow care or installation instructions enclosed with your product. Avoid using abrasive cleaners such as powders, bleach, ammonia, alcohol, or chlorine. Avoid using abrasive pads, steel wool, or wire brushes, as these will damage and wear down the finish. This warranty does not apply to Products that have not been installed or operated in accordance with instructions supplied by Kraus and all applicable rules, regulations, and legislation pertaining to such installations.

This warranty does not apply unless the Kraus product is installed by a fully insured and licensed trade professional. Kraus insists that such professionals have experience in the installation of bathroom and kitchen manufactured goods.

This warranty does not cover labor charges or costs of removal and reinstallation of said product. This warranty does not allow recovery of incidental or consequential damages, such as loss of use, delay, property damage, or other consequential damages, and Kraus accepts no liability for such damages.

This warranty does not cover Marine or Outdoor Installation.

Except as otherwise provided above, Kraus makes no warranties, expressed or implied, including warranties of merchantability and fitness for a particular purpose, or compliance with any code. Shipping charges will be covered for the first (1) year of the warranted replacement part or product (HI, AK, and Puerto Rico shipping charges may apply). International shipping fees are not included.

### **COMMERCIAL WARRANTY**

Kraus extends the above warranty for a period of one (1) year to purchasers of products for industrial, commercial, and business use.

All incidental or consequential damages are specifically excluded. No additional warranties, express or implied, are given, including but not limited to any implied warranty of merchantability or fitness for a particular purpose.

Some states do not allow the exclusion or limitation of incidental or consequential damages or limitations on how long an implied warranty lasts, so the above limitations or exclusions may not apply to you.

This warranty gives you specific legal rights, and you may also have other rights which vary from state to state.

### **If you are a homeowner please contact a Kraus Customer Service Representative at:**

Kraus USA, Inc.  
12 Harbor Park Drive  
Port Washington, NY 11050  
Toll-free 800-775-0703  
Customerservice@kraususa.com

### **If you are a plumbing contractor or trade professional please contact a Kraus Pro Representative at:**

Kraus USA, Inc.  
12 Harbor Park Drive  
Port Washington, NY 11050  
516-801-8955  
Proservice@kraususa.com

### **If you are an Authorized Partner please contact a Partner Support Representative at:**

Kraus USA, Inc.  
12 Harbor Park Drive  
Port Washington, NY 11050  
516-801-8954  
Partnersupport@kraususa.com

### **In requesting warranty service, please be ready to provide:**

1. Proof of purchase.
2. A description of the problem.

# IMPORTANT

## Register Your Kraus Product

**Activate** Your Warranty

**Access** Premium Customer Support

**Get** Product Information

**REGISTER TODAY**

<http://www.kraususa.com/registration>



**Kräus**<sup>®</sup>  
www.kraususa.com

# **Kräus<sup>®</sup>**

INSTALLATION GUIDE

## **Kraus Kitchen Soap Dispenser**

KSD-51

KSD-52

KSD-53

## Thank you for your purchase

We would like to take this opportunity to thank you for choosing Kraus. We hope that you are completely satisfied with your purchase, and enjoy it for years to come. If you have any questions, or require technical assistance, please contact us at 800.775.0703 and one of our representatives will be happy to help.

For more information about Kraus products, please visit:

**[www.kraususa.com](http://www.kraususa.com)**

In order to activate your warranty and get faster access to customer support, please register your new Kraus product at:

**[www.kraususa.com/registration](http://www.kraususa.com/registration)**

*Sincerely,*

*Kraus USA Customer Service*

## **PRIOR TO INSTALLATION**

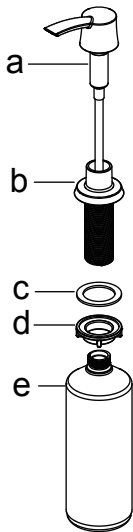
- Make sure you have all necessary parts by checking the diagram and parts list. If any part is missing or damaged, please contact Kraus Customer Service at 800-775-0703 for a replacement
- Pre-drilled hole size requirement: 1-1/4"
- Max countertop thickness without deck plate: 1-3/8"

**For technical assistance or replacement parts, please contact Kraus Customer Service and one of our representatives will be happy to help:**

Toll-Free: 800.775.0703 or [customerservice@kraususa.com](mailto:customerservice@kraususa.com)

The step-by-step guidelines in the installation instructions are a general reference for installing a Kraus Sink. Should there be any discrepancies, Kraus cannot be held liable. It is recommended to install all Kraus products by hiring a licensed professional.

## Diagram and Parts List:



*a. Pump*

*b. Dispenser Base*

*c. Washer*

*d. Mounting Nut*

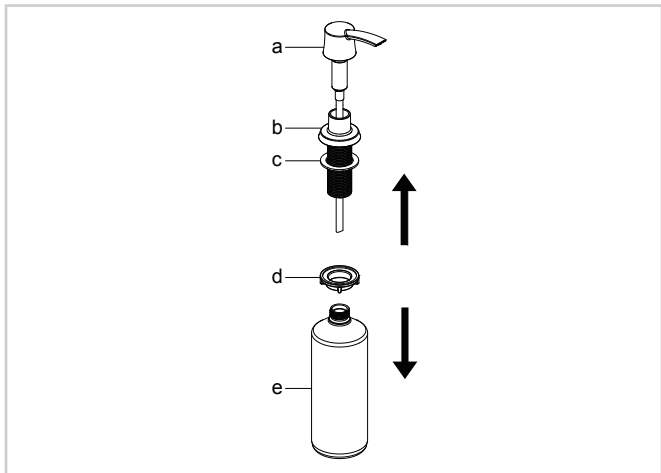
*e. Dispenser Bottle*



## Step 1

---

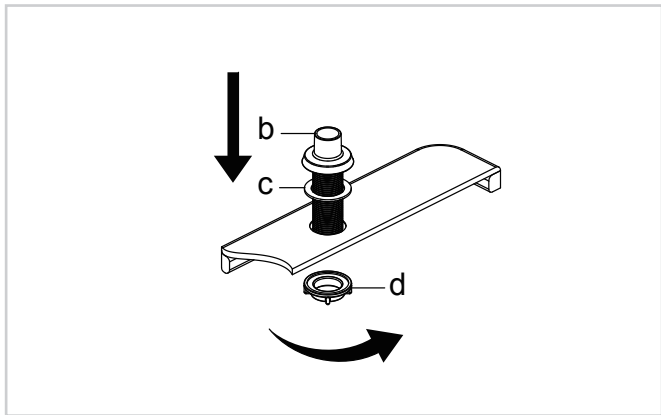
Disassemble soap dispenser



## Step 2

---

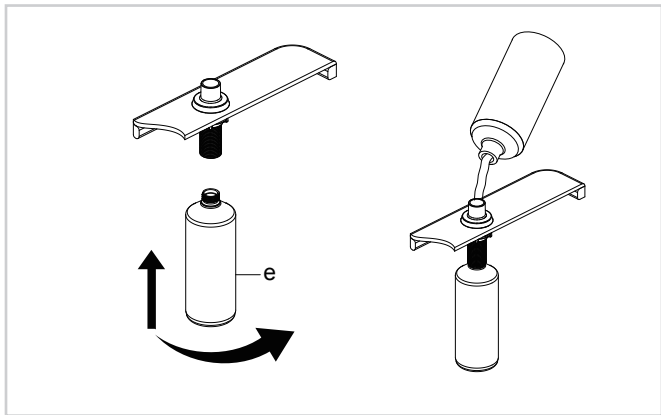
Install dispenser base (b) with washer (c) attached into the hole in the countertop. Re-install mounting nut (d) on the dispenser base (b) from underneath the countertop. Tighten mounting nut (d) by hand



### Step 3

---

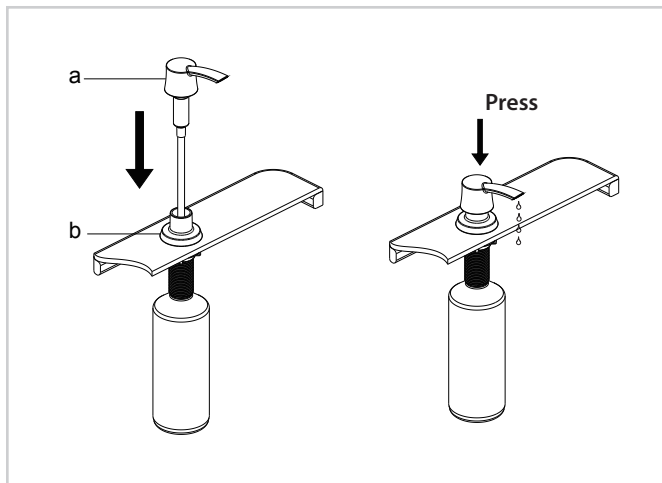
Screw the dispenser bottle (e) to the dispenser base (b) from underneath the countertop. Tighten as required. Fill the dispenser bottle (e) from the top with up to 17 ounces of soap



## Step 4

---

Reinsert pump (a) into dispenser base (b) from the top. Press the pump several times to make sure soap is evenly distributed



## Kitchen Accessories Warranty

Kraus products are manufactured and tested to the highest quality standards by Kraus USA Inc. ("Kraus").

Kraus extends this warranty to the original purchaser for personal household use of the "**Kitchen Accessories**" in their original location. The warranty is non-transferable.

Kraus warrants the structure and finish of the product (**Kitchen Accessories**) to be free from defects in material and workmanship under normal usage for a period of one (1) years. The warranty commences from the initial date of purchase by the owner or trade professional, from an authorized Kraus dealer, through the one (1) year term of the original owner or end-user.

Any product reported to the authorized dealer or to Kraus as being defective within the warranty period will be repaired or replaced with a product of equal value at the option of Kraus. This warranty extends to the original owner or end-user, and is not transferable to a subsequent owner.

### Restrictions

This warranty does not cover antediluvian, discontinued, or display products, whether such items are purchased at discount outlets, unauthorized dealers, and/or sold on clearance.

This warranty does not cover instances of negligence, misuse, abuse, improper installation, carelessness, accident, hard water or mineral deposits, exposure to corrosive materials, misapplication, damages caused by improper maintenance, alteration of the product, or failure to follow care or installation instructions enclosed with your product. Avoid using abrasive cleaners such as powders, bleach, ammonia, alcohol, or chlorine. Avoid using abrasive pads, steel wool, or wire brushes, as these will damage and wear down the finish.

This warranty does not apply unless the Kraus product is installed by a fully insured and licensed trade professional. Kraus insists that such professionals have experience in the installation of bathroom and kitchen manufactured goods.

This warranty does not cover labor charges or costs of removal and reinstallation of said product. This warranty does not allow recovery of incidental or consequential damages such as loss of use, delay, property damage, or other consequential damages, and Kraus accepts no liability for such damages.

This warranty does not cover Marine or Outdoor Installation.

Except as otherwise provided above, Kraus makes no warranties, expressed or implied, including warranties of merchantability and fitness for a particular purpose, or compliance with any code. Shipping charges will be covered for the first (1) year of the warranted replacement part or product (HI, AK, and Puerto Rico shipping charges may apply). International shipping fees are not included.

### **Commercial Warranty**

Kraus extends the above warranty for a period of one (1) year to purchasers of products for industrial, commercial, and business use.

All incidental or consequential damages are specifically excluded. No additional warranties, express or implied are given, including but not limited to, any implied warranty of merchantability or fitness for a particular purpose.

Some states do not allow the exclusion or limitation of incidental or consequential damages, or limitations on how long an implied warranty lasts, so the above limitations or exclusions may not apply to you.

This warranty gives you specific legal rights, and you may also have other rights which vary from state to state.

**If you are a HOMEOWNER please contact a Kraus Customer Service Representative at:**

Kraus USA, Inc.  
12 Harbor Park Drive  
Port Washington, NY 11050  
Toll-free 800-775-0703  
Customerservice@kraususa.com

**If you are a PLUMBING CONTRACTOR OR TRADE PROFESSIONAL please contact a Kraus Pro Representative at:**

Kraus USA, Inc.  
12 Harbor Park Drive  
Port Washington, NY 11050  
516-801-8955  
Proservice@kraususa.com

**If you are an AUTHORIZED PARTNER please contact a Partner Support Representative at:**

Kraus USA, Inc.  
12 Harbor Park Drive  
Port Washington, NY 11050  
516-801-8954  
Partnersupport@kraususa.com

**In requesting warranty service, please be ready to provide:**

- 1. Proof of purchase**
- 2. A description of the problem**

**Kräus®**  
www.kraususa.com

REGISTER YOUR PRODUCT TODAY



**Receive** Proof of Ownership

**Access** Customer Care & Installation Help

**Get** Exclusive Kraus Offers & Promotions

Scan to Register Online or visit  
<http://www.kraususa.com/registration>

**We're always looking for ways to improve.**

Please take a moment to share your experience.  
Visit <http://www.kraususa.com/review> to let us know what you think  
about your new Kraus product.

Contact Us to Learn More  
1.800.775.0703 / [www.kraususa.com](http://www.kraususa.com) / [customerservice@kraususa.com](mailto:customerservice@kraususa.com)  
Like & Follow KrausUSA

Download the Kraus Care & Maintenance Guide at:  
<http://www.kraususa.com/maintenance>



**Kräus**<sup>®</sup>  
[www.kraususa.com](http://www.kraususa.com)