

# KBU22

32 Inch Undermount 50/50 Double Bowl 16 Gauge  
Stainless Steel Kitchen Sink  
Satin Finish



### Material

16 Gauge Stainless Steel

### Minimum Cabinet Size

Undermount : 36"

### Installation Type

Undermount

### Dimensions

Sink Dimensions: 32 1/4" x 18" x 8 1/2"

### Bowl Type

Double Bowl Sink  
Offset: 50/50  
Pressed: Pressed

### Accessories Included

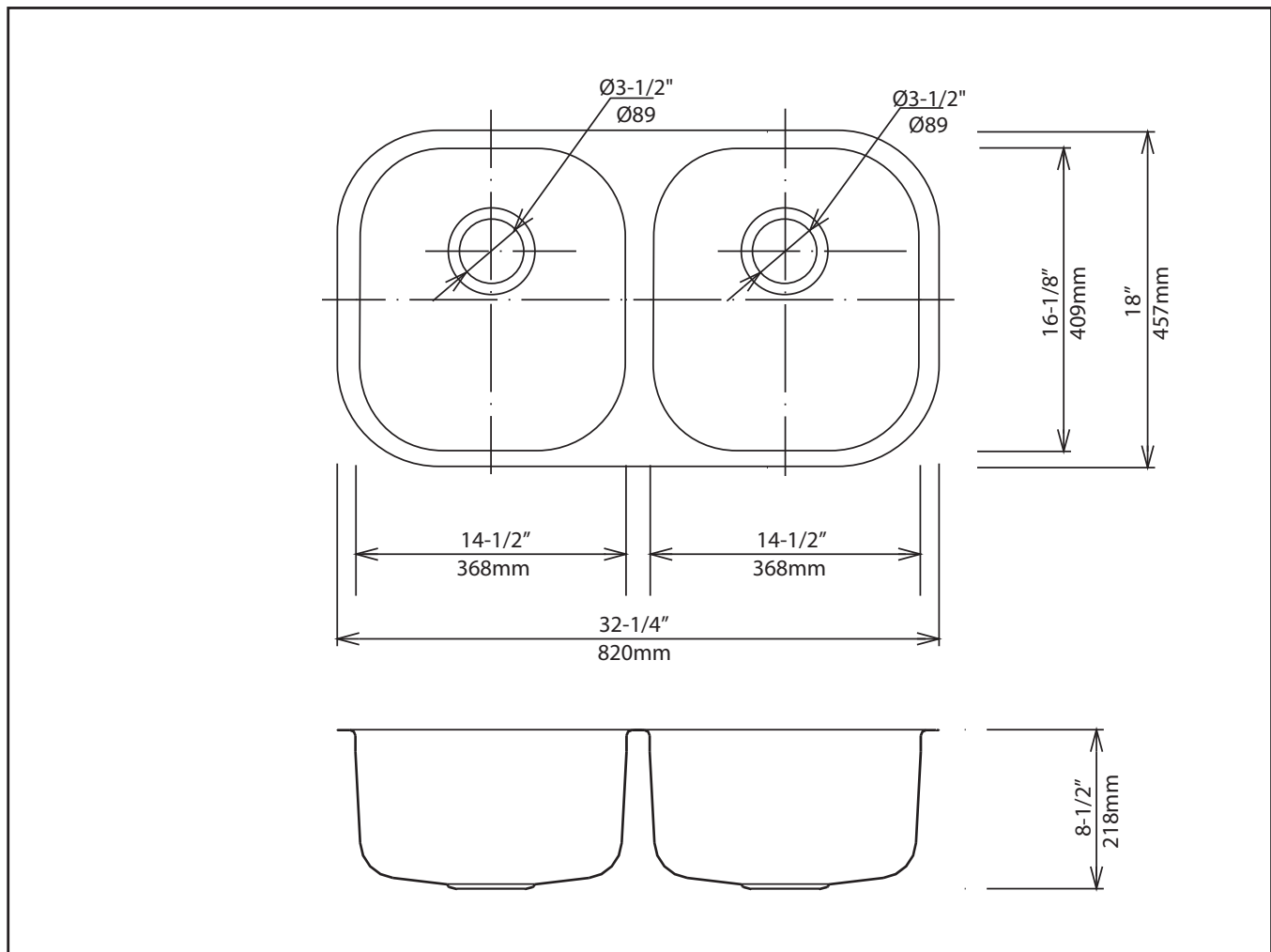
KBG-22-1 & KBG-22-2, BST-1 & ST-1, Mounting  
Hardware, Template, Towel

### Technology

Noise Defend

Kraus Limited Lifetime Warranty: See website for details [www.kraususa.com](http://www.kraususa.com)

1.800.775.0703 / [customerservice@kraususa.com](mailto:customerservice@kraususa.com)



Codes/Standards: Meets ASME A112.19.3/CSA B45.4

REV. August 15, 2016

# KPF-1610

## Single Lever Commercial Style Pull-Pull Down Kitchen Faucet

Chrome / Stainless Steel / Stainless Steel Chrome /  
Matte Black / Stainless Steel Matte Black Finishes

# Kräus®

SPECIFICATION SHEET

### Material

Body: Brass  
Handle: Zinc  
Sprayer: ABS  
Waterway: Braided Nylon

### Spout

Swivel: 180  
Design: Commercial Spring  
Pull Down

### Sprayhead

Flow Rate: 1.8 gpm (6.8L/min) @ 60 psi  
Aerator: Neoperl  
Name: Cache Perlator Honeycomb  
Function: Spray/Stream  
Nozzles: Easy Clean Rubber Nozzles  
Docking: Secure

### Cartridge

Brand: Kerox  
Size: 35mm  
Style: Lever

### Mounting

Holes: 1 Hole  
Type: Brass Nut

### Waterlines

Type : CAE  
Flexible  
Connections: 3/8"  
Materials: Braided Stainless Steel  
Included  
Factory Installed

### Dimensions

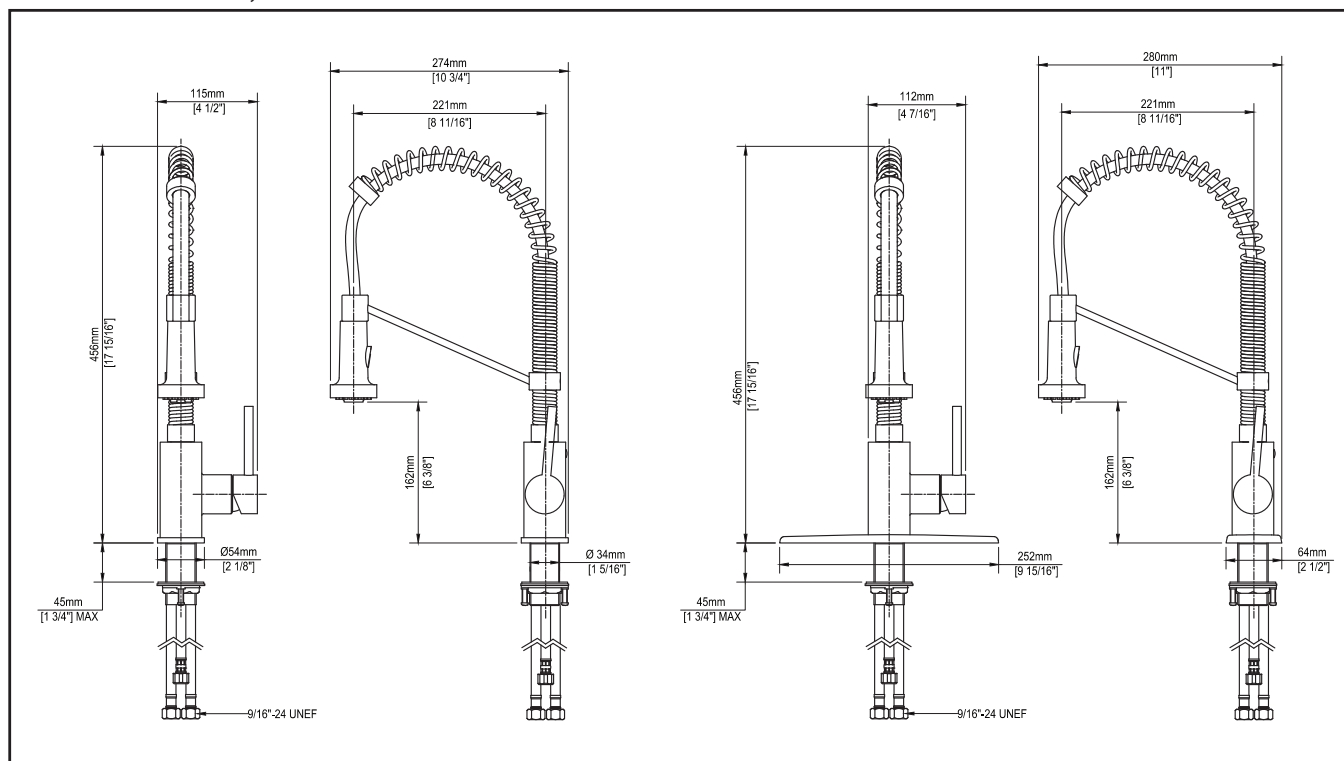
Overall Height: 18"  
Spout Height: 6 3/8"  
Spout Reach: 8 11/16"

### Accessories Included

Weight, Hex Wrench, Escutcheon Plate (Sold Separately)

Kraus Lifetime Limited Warranty: See website for details [www.kraususa.com](http://www.kraususa.com)

1.800.775.0703 / [customerservice@kraususa.com](mailto:customerservice@kraususa.com)



Listing: cUPC, NSF 61, NSF 372, AB1953, EPA, CALGreen, MASS, FTC, DOE, CEC, ADA

REV. August 7, 2017

# KSD-53

Kraus Kitchen Soap Dispenser

**Kräus**<sup>®</sup>  
SPECIFICATION SHEET

Chrome / Stainless Steel / Spot Free all-Brite™ Stainless Steel /  
Oil Rubbed Bronze / Matte Black Finishes

## Material

Brass

## Features

- Solid brass construction
- Self-priming pump
- Refillable from above
- Holds up to 17 oz. of liquid
- Pump: 1 5/8"
- Spout: 3 7/8"

Kraus Lifetime Limited Warranty: See website for details [www.kraususa.com](http://www.kraususa.com)

1.800.775.0703 / [customerservice@kraususa.com](mailto:customerservice@kraususa.com)

