

BLANCO

FORMERA 1.75 U

Stainless Steel

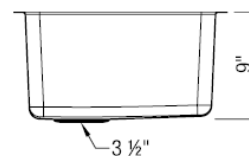
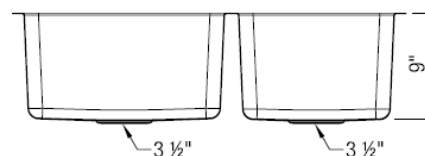
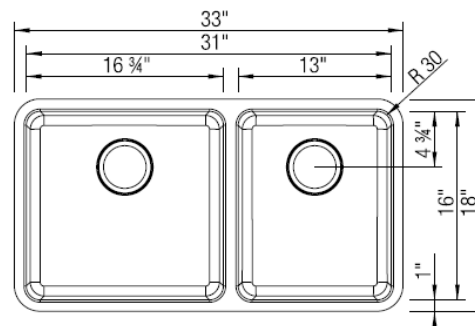
Sink Specifications

Colors/finishes

Stainless Steel

Model N°

442769



Design and planning tips

- Cutout Size: Template provided 1/8" reveal
- Actual Ship Weight: 15 lbs - UPS oversize weight charges apply*

Code/Standards Compliance

Product IAPMO listed

Accessories

237145

FORMERA 1.75 U - Right Bowl Grid

237144

FORMERA 1.75 U - Left Bowl Grid

Warranty

BLANCO offers a limited lifetime warranty on all sinks and faucets, as well as a one-year warranty on all custom accessories.



View our how-to videos to learn more about installing and caring for BLANCO products:

https://www.blanco-germany.com/en_us/en_us/support/how_to_videos/all.html



Questions? Contact us today

BLANCO America, Inc.
110 Mount Holly By-Pass
Lumberton, NJ 08048

Phone & Fax
Phone: 888-668-6201
Fax: 609-668-6211

While BLANCO endeavors to provide accurate information, all dimensions are nominal, cannot be guaranteed, and are subject to change or cancellation. BLANCO assumes no responsibility for use of superseded or voided specifications.