

Edition 400

11596172050 Light mirror

PRODUCT



DRAWING



PRODUCT ATTRIBUTES

adjustable light colour from 2700 kelvin (warm white) to 6500 kelvin (daylight),

continuous aluminium frame

Operation:

key panel with capacitive touch sensor,
integrated extension function for e.g. light switch

Illumination:

LED (lifespan > 30.000 hours)

infinitely dimmable

EEK: ,

SURFACE

19,5 watt

Warranty: KEUCO products are covered by a 5-year manufacturer's warranty, in effect from the date of purchase. During this time, proven product defects will be remedied free of charge. Warranty claims must be filed in writing, including a detailed description of the defect immediately after a defect has occurred. For a copy of our detailed product warranty policy, please contact us at office-usa@keuco.com.

Installation: KEUCO products must be installed by a qualified professional in accordance with the respective installation guidelines and any applicable federal / local building codes and regulations.

Edition 400

11596172550 Light mirror

PRODUCT



DRAWING



PRODUCT ATTRIBUTES

adjustable light colour from 2700 kelvin (warm white) to 6500 kelvin (daylight),

continuous aluminium frame

Operation:

key panel with capacitive touch sensor,
integrated extension function for e.g. light switch

Illumination:

LED (lifespan > 30.000 hours)

infinitely dimmable

EEK: ,

SURFACE

26 watt

Warranty: KEUCO products are covered by a 5-year manufacturer's warranty, in effect from the date of purchase. During this time, proven product defects will be remedied free of charge. Warranty claims must be filed in writing, including a detailed description of the defect immediately after a defect has occurred. For a copy of our detailed product warranty policy, please contact us at office-usa@keuco.com.

Installation: KEUCO products must be installed by a qualified professional in accordance with the respective installation guidelines and any applicable federal / local building codes and regulations.

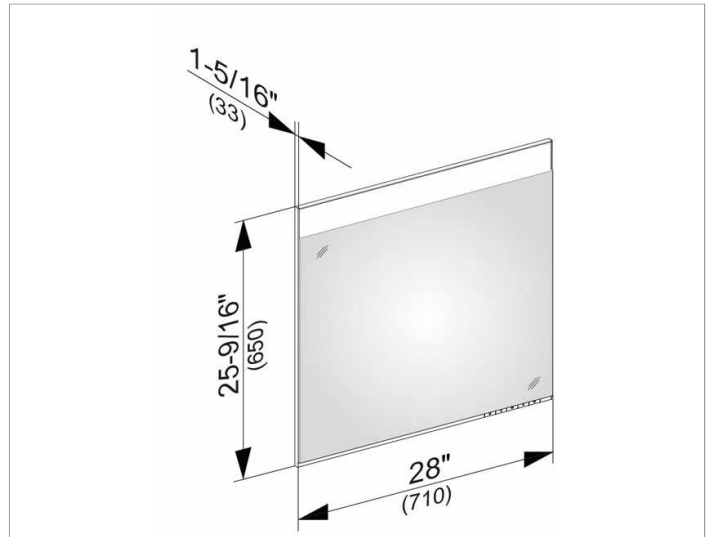
Edition 400

11596171550 Light mirror

PRODUCT



DRAWING



PRODUCT ATTRIBUTES

adjustable light colour from 2700 kelvin (warm white) to 6500 kelvin (daylight),

continuous aluminium frame

Operation:

key panel with capacitive touch sensor, integrated extension function for e.g. light switch

Illumination:

LED (lifespan > 30.000 hours)

infinitely dimmable

EEK: ,

SURFACE

13 watt

Warranty: KEUCO products are covered by a 5-year manufacturer's warranty, in effect from the date of purchase. During this time, proven product defects will be remedied free of charge. Warranty claims must be filed in writing, including a detailed description of the defect immediately after a defect has occurred. For a copy of our detailed product warranty policy, please contact us at office-usa@keuco.com.

Installation: KEUCO products must be installed by a qualified professional in accordance with the respective installation guidelines and any applicable federal / local building codes and regulations.